

PURCHASING DEPARTMENT

January 9, 2025

Addendum #1

REPOST: Football Locker Room Renovations

IFB #50018-250016

This addendum forms a part of the Invitation for Bids (IFB) documents and modifies the original documents issued on December 23, 2024. This addendum must be acknowledged in your bid submission. Failure to acknowledge receipt of this addendum may result in the rejection of your bid.

ITM 1: The flooring for this project has been specified as follows:

- **Product:** 3/8" Regupol Aktiv™
- **Color:** 20% Midas Touch

All bidders are required to ensure that the specified product and color are included in their bid proposals. No substitutions for the flooring material or color will be accepted.

ITM 2: After reviewing the substitution requests submitted, it has been determined that the proposed products do not meet the project requirements as outlined in the original specifications. Below are the reasons for denial:

- The request for substitution of thermally fused, high-density melamine in place of the specified Phenolic material has been denied.
- The proposed material does not meet the durability, water resistance, and performance requirements outlined in Section 1 of page 12 of the IFB of the project specifications.
- The request for substitution of Phenolic Open Front Series with Security Box & Foot Locker (24" Wide x 24" Deep x 72" Tall) in place of the specified 30" Wide x 24" Deep x 90" Tall Locker has been denied.
- The proposed locker dimensions do not align with the project's design and functional requirements as detailed in Section 1 page 12 of the IFB.

ITM 3: The location of the USB receptacle for the lockers has been specified as follows:

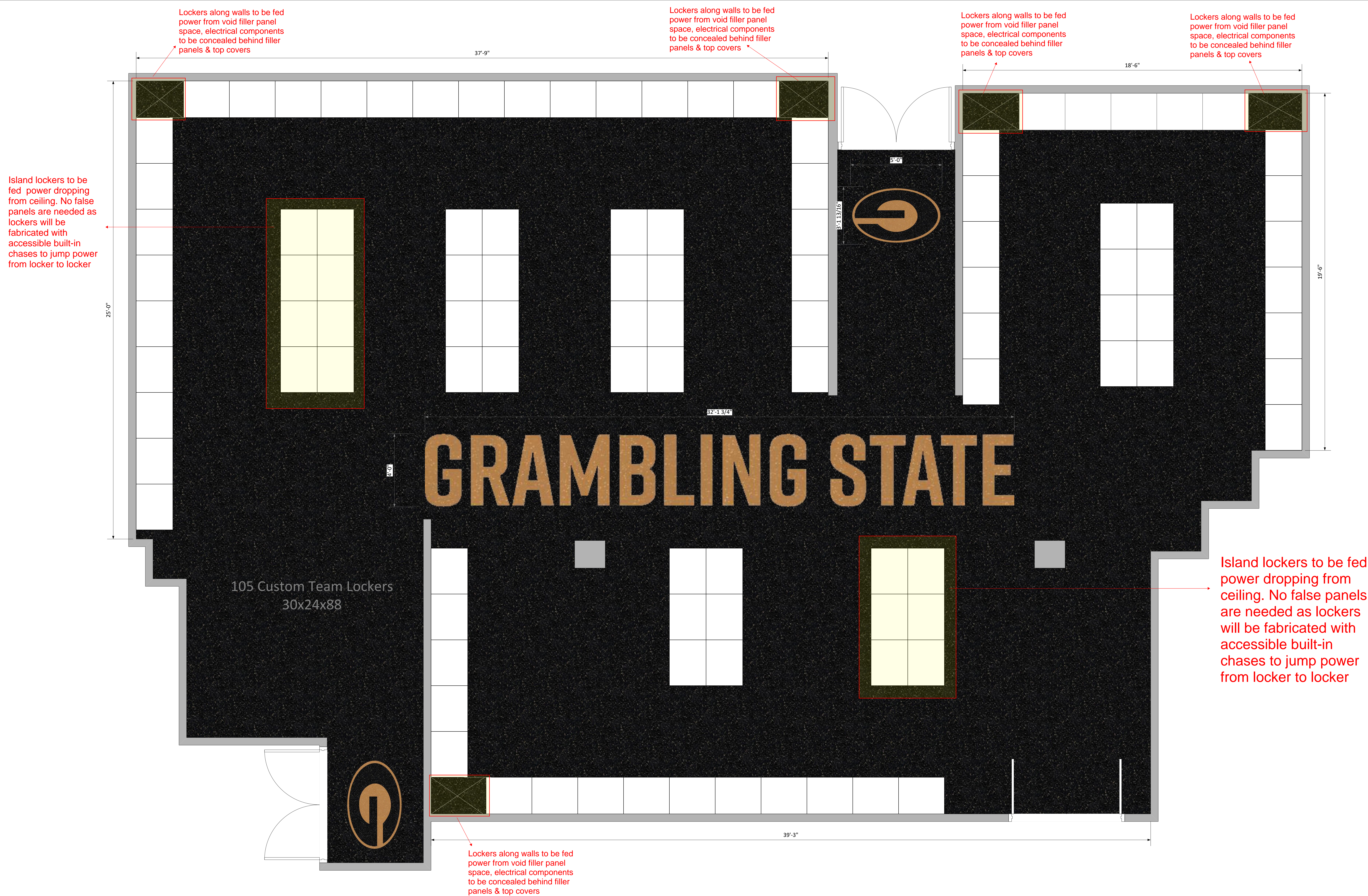
- The USB receptacle will be located inside the "Lockbox" of the locker, as depicted in the attached JPEG diagram.

Bidders are required to incorporate this specification into their bid submissions. The attached diagram provides a visual reference for the exact placement of the USB receptacle.

Erin Walker
Purchasing Director
Grambling State University

NOTE: PLEASE SIGN AND DATE AND RETURN WITH BID:

SIGN _____ **DATE** _____



Rubber Flooring Systems Inc.
375 Columbia Memorial Pkwy.
Kemah, TX 77565
(281) 334-6800 phone
jenna@teamrfs.com

Grambling University Football Locker Room	
9/6/24	
Version 6.1	Scale: 1/2" = 1' 0"

NOTE: For design purposes only. Colors may vary due to screen resolutions. Please see physical samples for color representation.



Rubber Flooring Systems Inc.
 375 Columbia Memorial Pkwy.
 Kemah, TX 77565
 (281) 334-6800 phone
 jenna@teamrfs.com

Grambling University Locker

9/6/24

Version 6.1

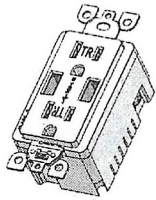
NTS

NOTE: For design purposes only. Colors may vary due to screen resolutions. Please see physical samples for color representation.

INSTALLATION INSTRUCTIONS

TR-BAS15/20-2USB

Dual USB Charger with
15/20A Duplex Tamper Resistant Receptacle



Receptacle Rating.....15/20Amp, 125VAC
 USB Rating.....Two USB ports with total 4 Amp, 5VDC
 Wire Terminals.....#14-#10AWG
 Operating Temperature.....-4 to 140°F (-20 to 60°C)
 USB Compatibility..USB 1.1/2.0/3.0 devices, including Apple products
 Strip Length.....0.5inch(back wire holes). 1inch(screw terminal)

- 2USB ports with a super high-current power of 4 Amp, 5VDC
- Charge most compatible electrical device directly without an adapter
- Tamper-Resistant Shutters provide compliance with 2011 NEC Code
- Replace a standard duplex receptacle
- Back and side wire for easy installation
- UL listed

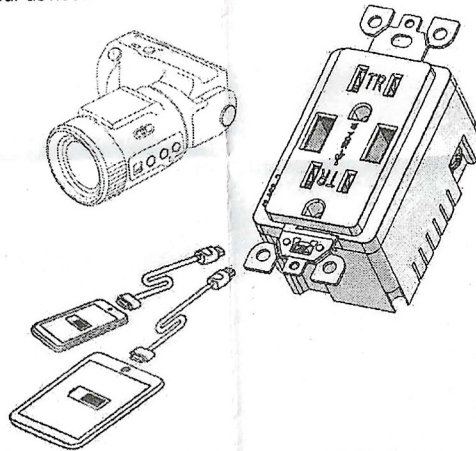
The TR-BAS15/20-2USB USB Charger/Tamper-Resistant Receptacle offers two USB charging ports and duplex Tamper-Resistant Receptacle. This TR-BAS15/20-2USB is able to charge any current electronic devices simultaneously, including smart phones, tablets, e-readers, cameras and MP3 players. What's more, it has the capability to charge new device required higher current rating in the future. All you will need is a USB cable to connect to one of the two USB ports.

- | | |
|-------------------|----------------|
| ■ Cafes | ■ Labs |
| ■ Office | ■ Hospital |
| ■ Kitchens | ■ Salons |
| ■ Bedrooms | ■ Hotels |
| ■ Restaurants | ■ Schools |
| ■ Meeting Rooms | ■ Libraries |
| ■ Airport Lounges | ■ Workstations |

The TR-BAS15/20-2USB Charger-Resistant Receptacle is compatible with a wide range of electronic devices including, but not limited to the following:

- | | |
|------------------------------|--------------------------------|
| -iPad® | -iPhone® |
| -iPad® Mini | -iPod® |
| -Tablets | -GPS |
| -Mobile Phones | -Galaxy Tab™ |
| -Blackberry®, Android Phones | -Bluetooth™ Headsets |
| -Windows® Phone by HTC | -Digital Cameras |
| -Kindle™, Nook e-reader | -Other USB compatible products |

If the devices combined power requirements exceed the power capacity of the USB Ports, the charger will automatically shut down to protect your devices.



Charges most USB powered devices

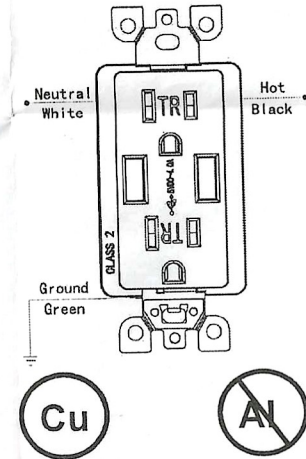
WARNING: To avoid fire, shock, or death. Turn off power at circuit breaker or fuse and test that power is off before wiring.
AVERTISSEMENT: Pour éviter un incendie, des chocs ou le décès, couper le courant au disjoncteur ou au fusible et vérifiez que l'alimentation est coupée avant de cabler.

To be installed and /or used in a accordance with appropriate electrical codes and regulations.
 Pour être installé et/ou utilisé conformément aux codes et aux règlements électriques appropriés.

If you are unsure or uncomfortable about performing the installation, please consult a qualified electrician.
 Si vous n'êtes pas sûr ou mal à l'aise d'effectuer l'installation, vous pouvez consulter un électricien qualifié.

1. For retrofit applications, remove wall plate and mounting screws.
2. Carefully remove the existing receptacle from the box.
3. Disconnect the wiring from the old receptacle.
4. Connect the TR-BAS15/20-2USB per wiring diagram: black lead to hot wire, white lead to neutral wire, green lead to ground wire.
5. Tighten every screws and no bare conductors are exposed, 9-12 pound inch(1.0-1.4Nm) of torque.
6. Insert the TR-BAS15/20-2USB in wall box with screws provided and mount wall plate.
7. Restore power at circuit breaker, installation is complete.

Wiring Diagram



Our company warranties this product to be free of defects in materials and workmanship for a period of two(2) years, There are no obligations or liabilities on the part of our company for consequential damages arising out of, or in connection with, the use or performance of this product or other indirect damages with respect to loss of property, revenue, or profit, or cost of removal, installation or reinstallation.

