

**LOUISIANA
DEPARTMENT OF TRANSPORTATION AND DEVELOPMENT
SPECIFICATIONS**

**STIFFENERS
ALUMINUM EXTRUDED SUPPORTS**

DESCRIPTION:

The following specification sets forth the requirements for stiffeners, aluminum extruded supports, to be used in sign installation and mounting.

REQUIREMENTS:

Supports shall be made of aluminum alloy 6061-T6. The metal shall be anodized to produce a corrosion resistant adherent coating of aluminum oxide in conformance with all required and recommended procedures as specified in ASTM B449, Class 1 or 2. Supports shall be free of grease, dirt and/or loose phosphate coating. All burrs shall be removed from the edges.

Product dimensions are allowed a variance of $\pm 1/8$ inch of those shown on the attached details.

Product ID 53051 – Extruded Aluminum Sign Backing Channel (Figure 1)
1 ¼” x 0.636” x 12’ long

Product ID 53052 – T-shaped Extruded Aluminum Stiffener with Track (Figure 2)
2 ½” x 3” x .125” thick x 12’ long

Product ID 53053 – T-shaped Extruded Aluminum Stiffener without Track (Figure 3)
3” x 3” x .375” thick x 9’ long

CERTIFICATION:

A letter from the manufacture certifying that the holders meet the specification must be supplied with each shipment. Certificate will be kept on file by the Department.

PACKAGING AND DELIVERY:

Supports must be deliver in securely banded bundles of no more than 50 pieces and must be of the same product ID.

Deliveries shall be made by open bed truck for ease of forklift unloading. Materials must be tarped during shipment.

FIGURE 1
Product ID 53051 - Extruded Aluminum Sign Backing Channel

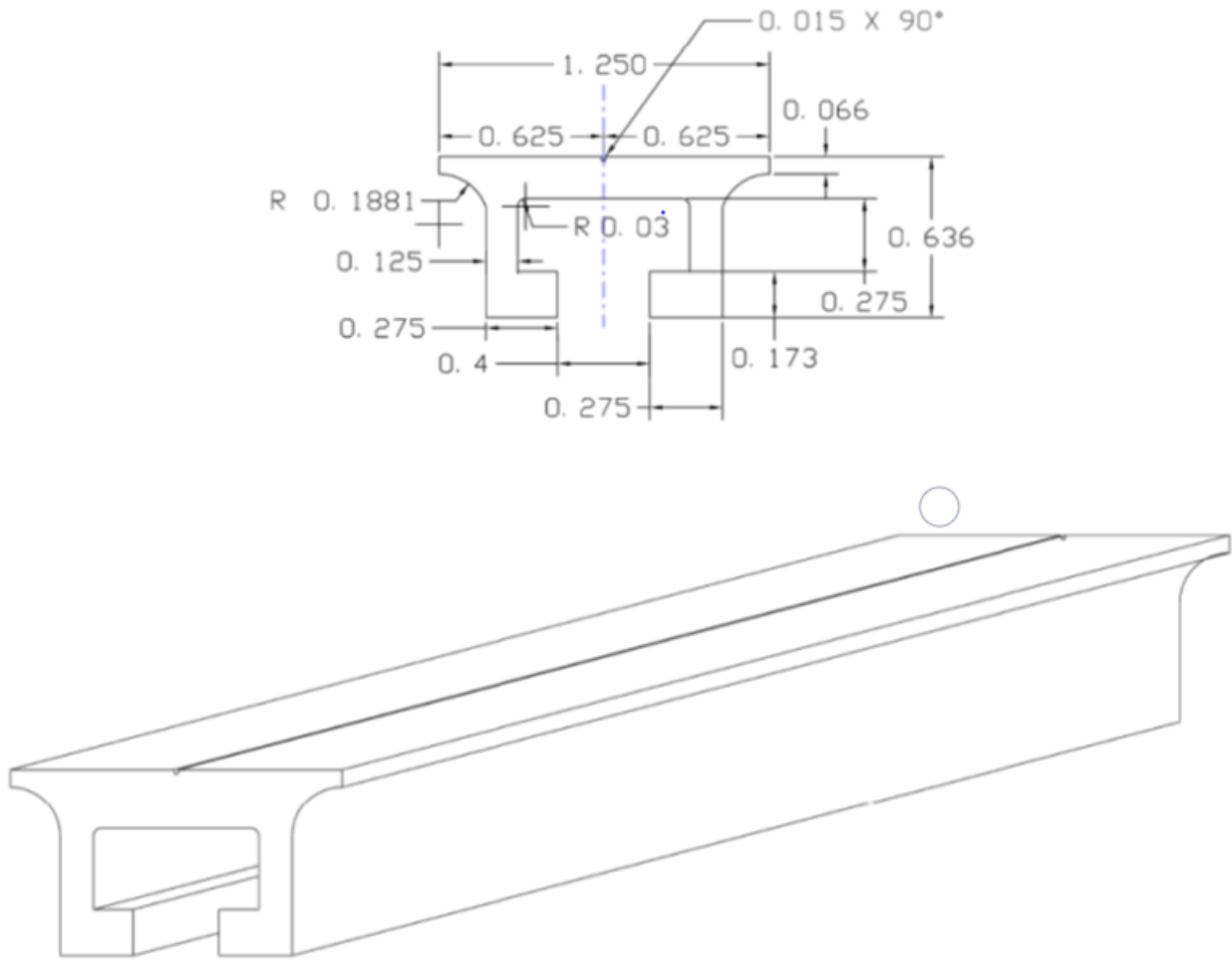
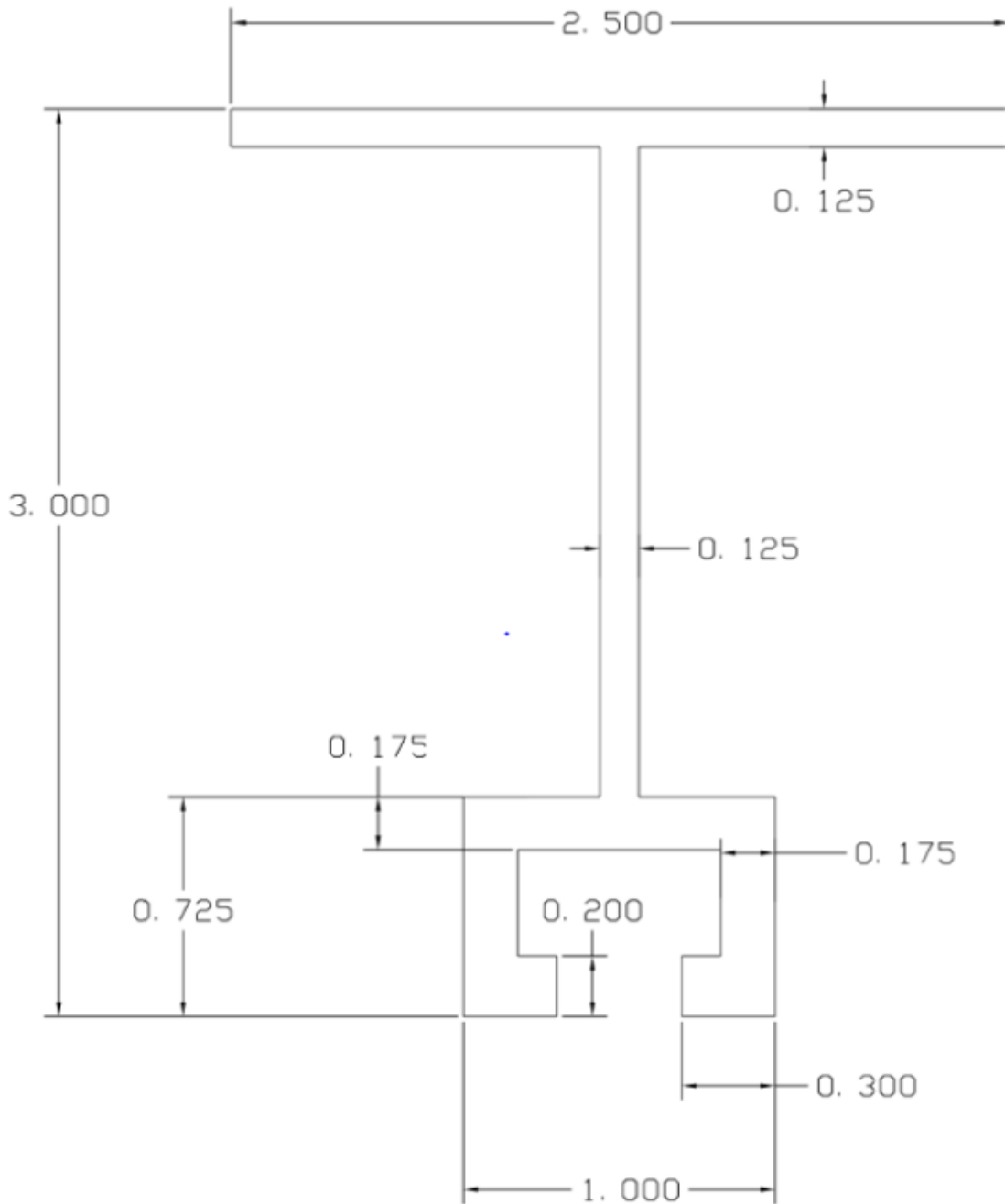
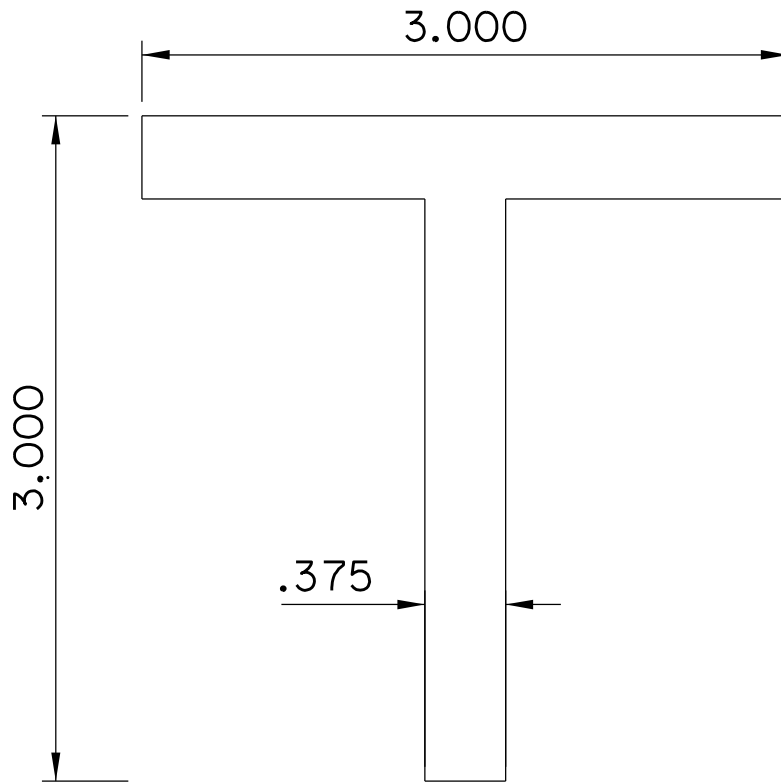


FIGURE 2
Product ID 53052 - T-shaped Extruded Aluminum Stiffener with Track



- Measurements are in inches.

FIGURE 3
Product ID 53053 - T-shaped Extruded Aluminum Stiffener without Track



- Measurements are in inches.