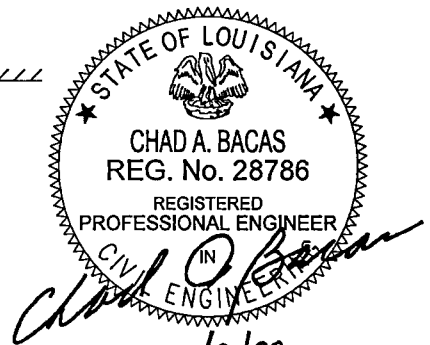


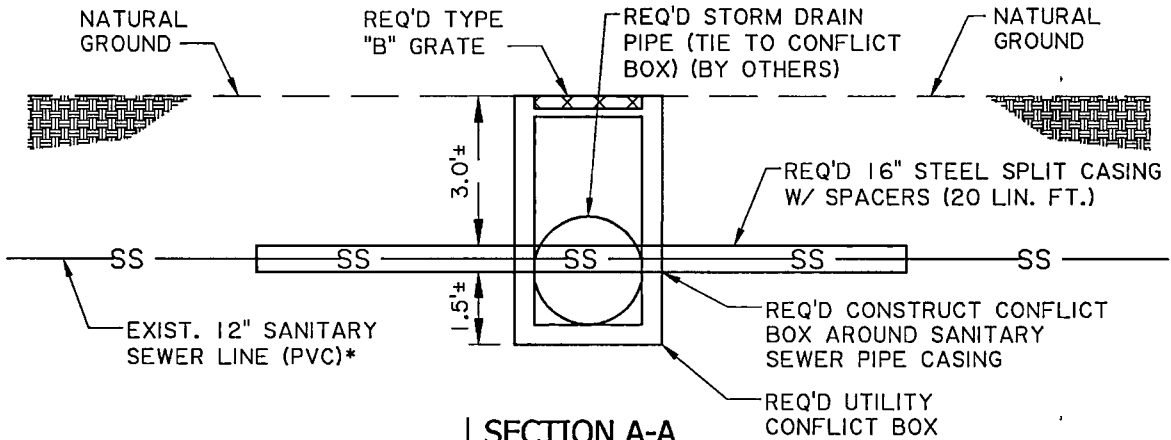
* CONTRACTOR TO FIELD VERIFY EXISTING SANITARY SEWER LINE SIZE PRIOR TO CONSTRUCTION

PLAN

SCALE: N.T.S.



10/3/23



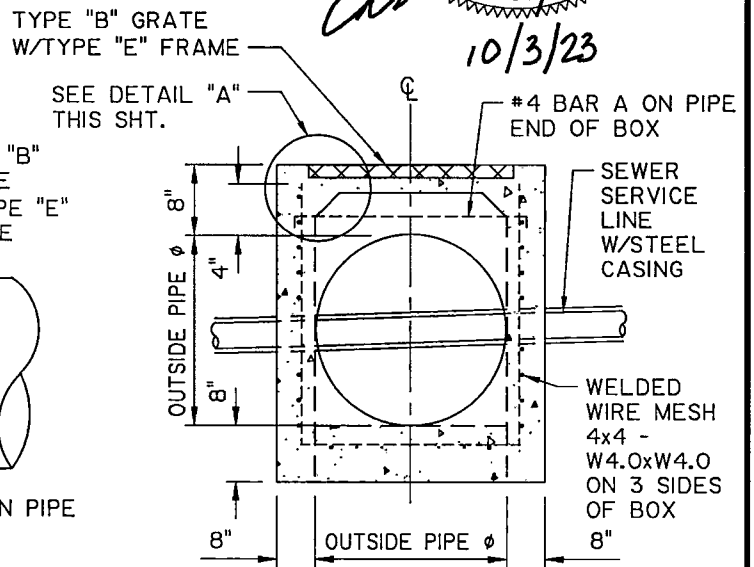
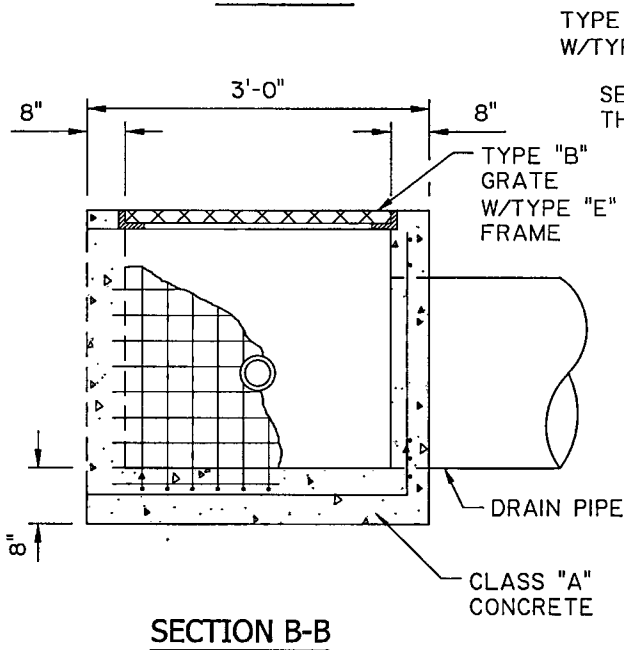
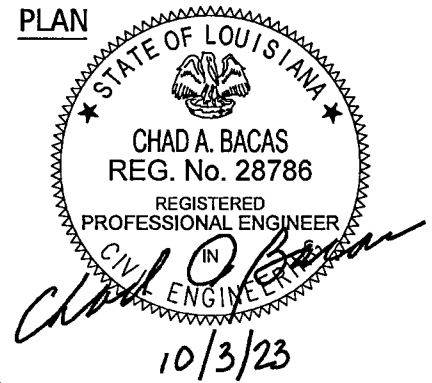
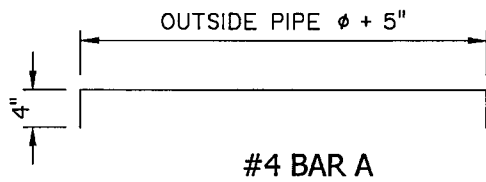
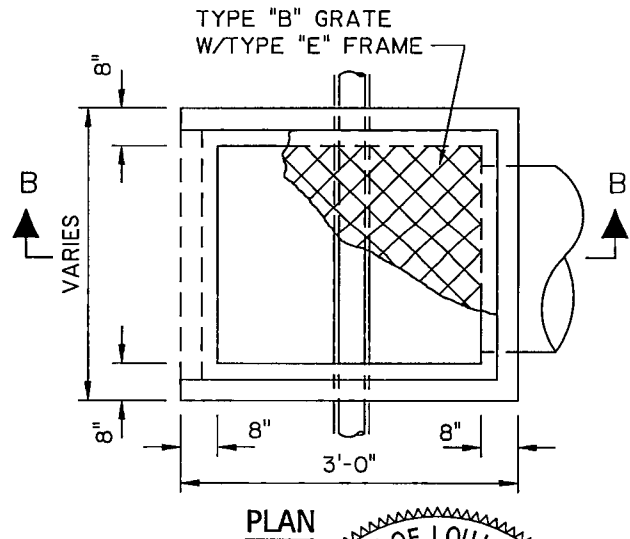
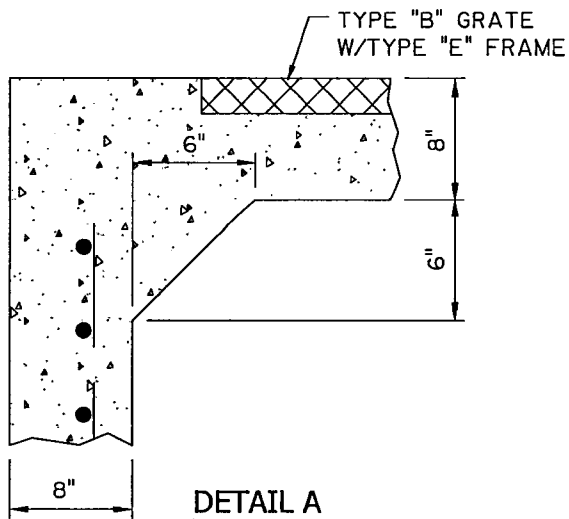
SECTION A-A

SCALE: N.T.S.



**EHCC
SEWER FORCE MAIN CONFLICT
DRIANAGE PLAN**

DRAWN BY:	CHECKED BY:	APPR. BY:	DATE:	DWG. No.	REV.	
JBC	THB	CAB	10/3/2023	C1	-	



DETAIL OF CONFLICT BOX
SCALE: N.T.S.

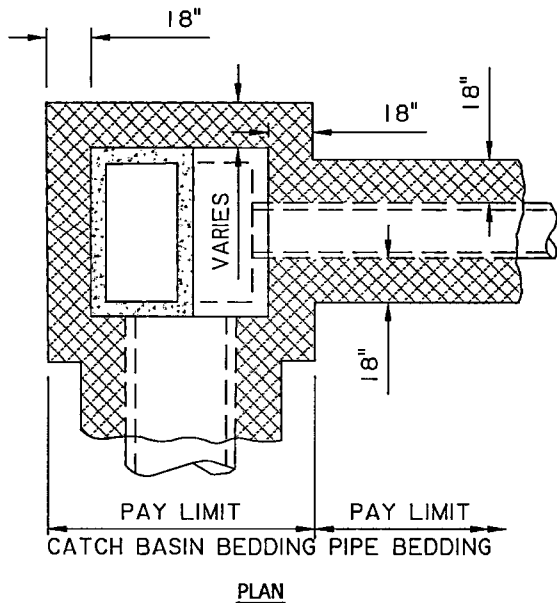
NOTE:
NORTH END OF CONFLICT BOX TO
HAVE A FULL WIDTH OPENING TO
ALLOW FOR WATER FLOW



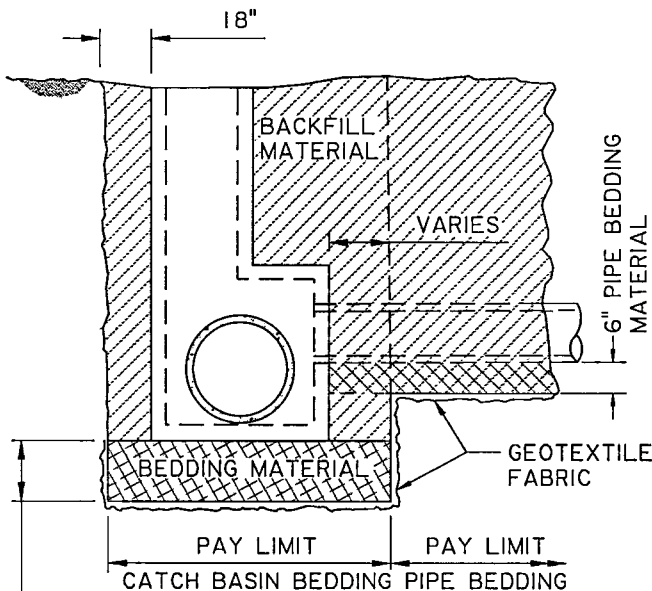
EHCC
SEWER FORCE MAIN CONFLICT
CONFLICT BOX DETAIL

DRAWN BY:	CHECKED BY:	APPR. BY:	DATE:
JBC	THB	CAB	10/3/2023

DWG. No.	C2	REV.	-



PLAN

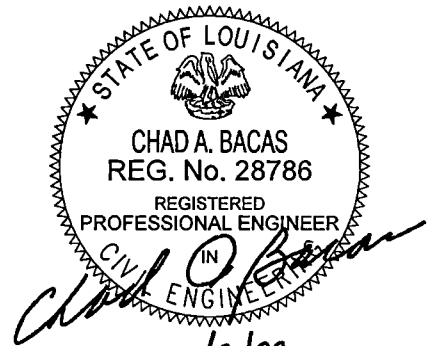


PROFILE

THICKNESS AS SHOWN
ON PLANS (6" MIN.) OR
AS DIRECTED BY THE
PROJECT ENGINEER

GENERAL NOTES

1. CONSTRUCTION SPECIFICATIONS:
LATEST APPROVED LA DOTD STANDARD SPECIFICATIONS
2. STANDARD DOTD PIPE INSTALLATION, BEDDING, BACKFILL (TYPE "A" OR "B") AND TRENCH WIDTH ARE DEFINED IN SECTIONS 701 AND 726 OF THE LA DOTD STANDARD SPECIFICATIONS.
3. THE NEED AND/OR THE THICKNESS OF BEDDING MATERIAL WILL BE DETERMINED BY THE GEOTECHNICAL SECTION AND WILL BE SHOWN ON THE PLANS. ADDITIONAL BEDDING MATERIAL MAY BE REQUIRED BY THE PROJECT ENGINEER AT NO COST TO THE CONTRACTOR
4. THE DETAILS ON THIS SHEET DEPICT PAY LIMITS FOR BEDDING MATERIALS. THE BEDDING MATERIAL PAY QUANTITIES ARE TO BE BASED ON THE THEORETICAL NET SECTION WITH NO PIPE DEDUCTIONS.
5. THE BACKFILLS TO BE MEASURED AND PAID IN ACCORDANCE WITH SELECTION 701 OF LA DOTD STANDARD SPECIFICATIONS.
6. BEDDING SHOWN ON THIS STANDARD PLAN CONFORMS TO THE CURRENT AASHTO SPECIFICATIONS.
7. FLEXIBLE PIPE CONSISTS OF ALL CORRUGATED METAL AND PLASTIC PIPE.
8. REINFORCED CONCRETE PIPE AND FLEXIBLE PIPE ARE SHOWN AS TYPICAL STRUCTURES. DETAILS FOR REINFORCED CONCRETE BOX, REINFORCED CONCRETE PIPE ARCH, CORRUGATED METAL PIPE ARCH AND CORRUGATED STRUCTURAL PLATE STRUCTURES ARE SIMILAR.
9. MINIMUM COVER IS 12" FOR ALL PIPE. THERE IS NO MINIMUM COVER REQUIREMENT FOR RCB.



TYPICAL CATCH BASIN AND STORM SEWER PIPE
INSTALLATION WITH BEDDING MATERIAL

SCALE: N.T.S.



EHCC
SEWER FORCE MAIN CONFLICT
BEDDING MATERIAL DETAIL

DRAWN BY:	CHECKED BY:	APPR. BY:	DATE:
JBC	THB	CAB	10/3/2023

DWG. No.	C3	REV.	-
----------	----	------	---