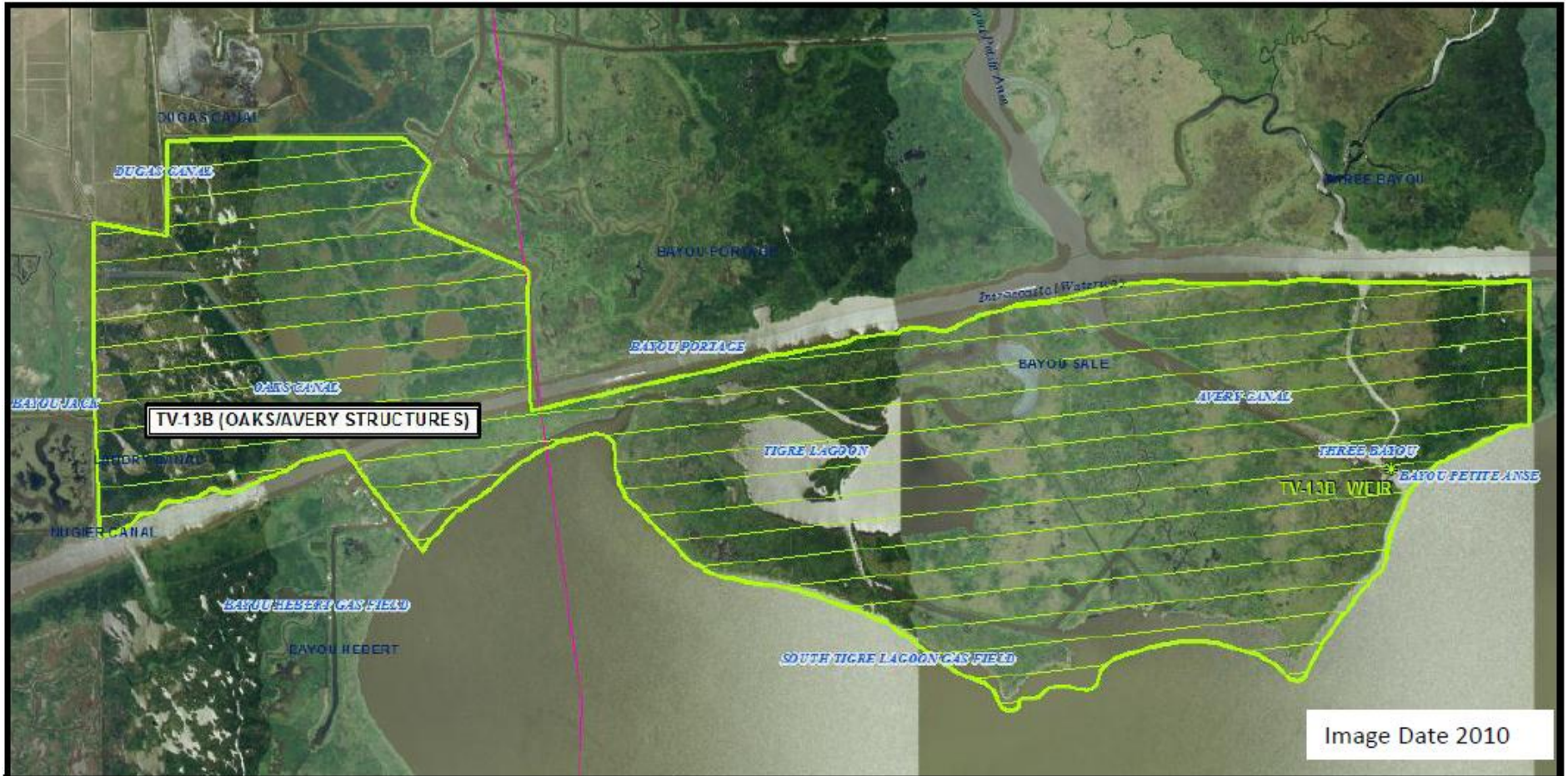


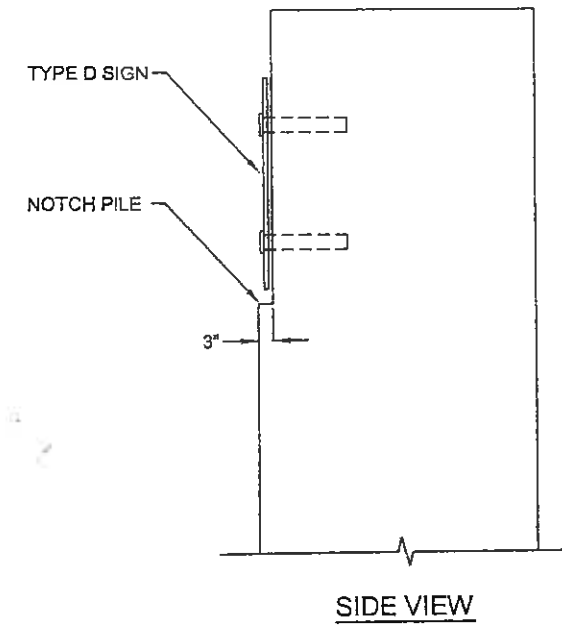
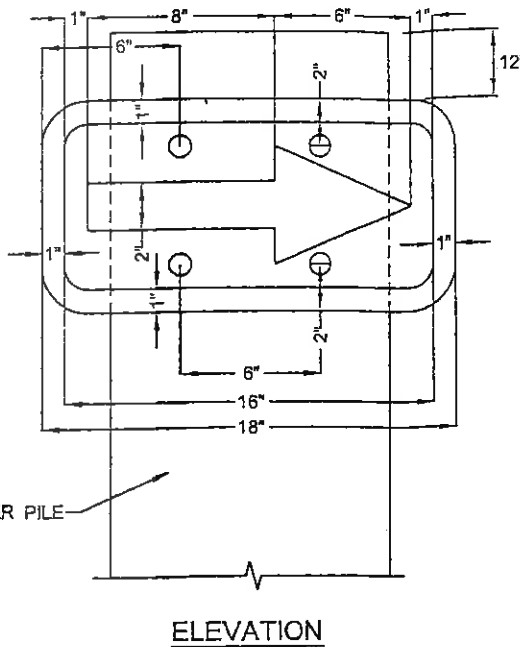
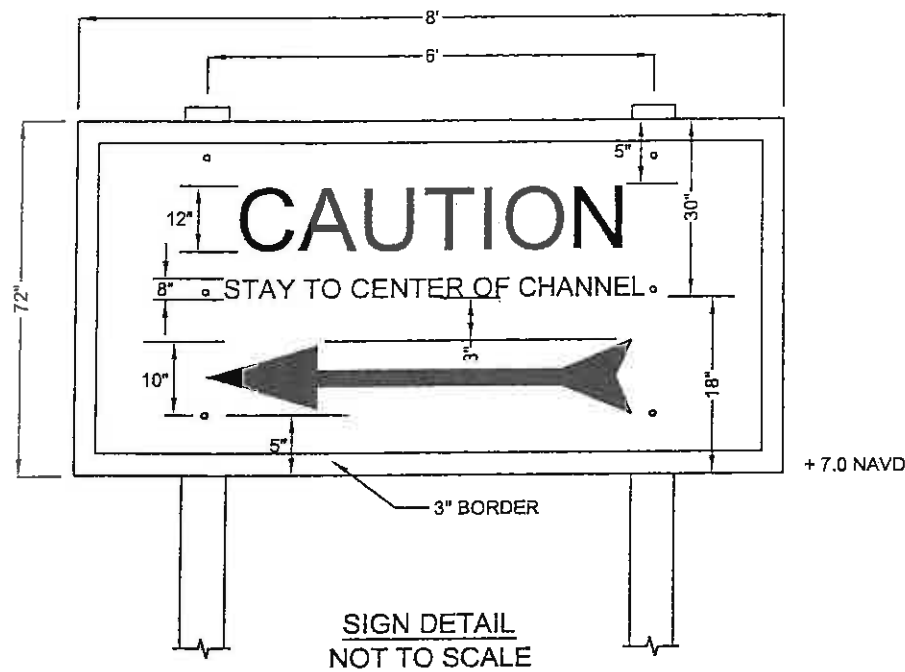
EXHIBIT D

OAKS/AVERY CANAL STRUCTURES (TV-0070)



TV-13b Oaks/Avery Structures

Construction Completion Date 2002



CONSTRUCTION NOTES:

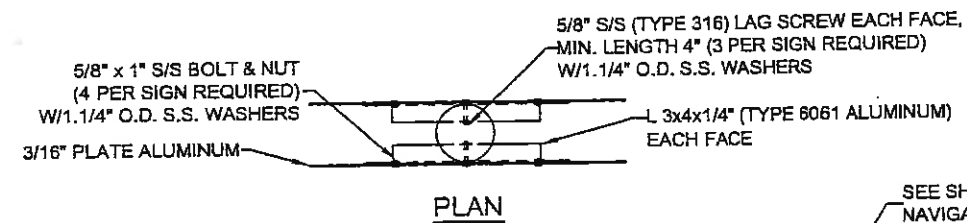
1. SIGNS TO BE CONSTRUCTED USING 3/16" PLATE ALUMINUM.
2. THE BORDER IS TO BE A RETRO-REFLECTIVE MATERIAL OF ORANGE COLOR.
3. THE ARROW FIELD IS TO BE WHITE RETRO-REFLECTIVE MATERIAL.
4. THE ARROW IS TO BE BLACK.
5. SIGNS ARE TO BE SECURED TO TIMBER PILES WITH 4-5/8" LAG LAG SCREWS 4" LENGTH AND 1-1/4" O.D. S.S. WASHERS.
6. SIGNS ARE TO BE PLACED ON EACH SIDE OF CHANNEL, UPSTREAM AND DOWNSTREAM.

SIGN DETAIL - TYPE "D" FOR AVERY CANAL SITE

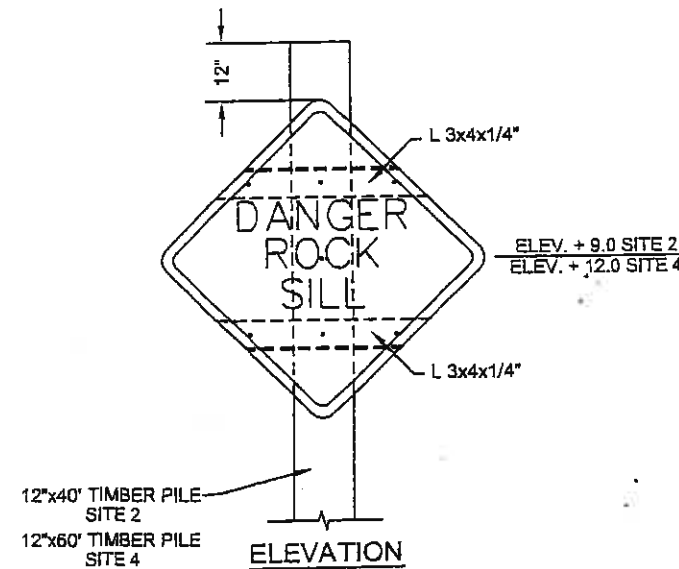
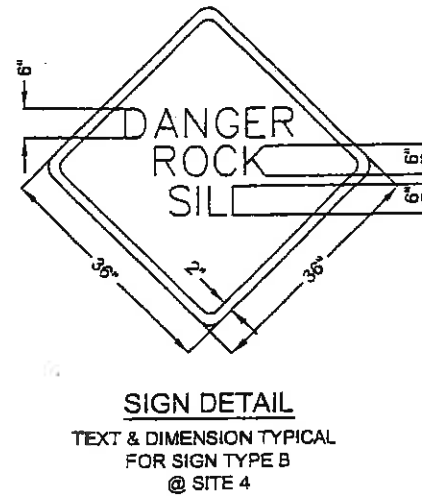
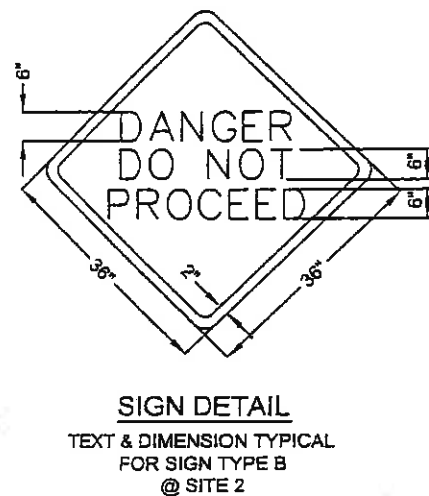
CONSTRUCTION NOTES:

- 3" ORANGE RETRO REFLECTIVE BORDER AROUND PERIMETER OF SIGN
- BLACK ARROW AND BLACK COLOR FOR WORDS, "STAY TO CENTER OF CHANNEL"
- REFLECTIVE WHITE BACKGROUND OF SIGN PROPER
- USE 1/4" THICK 4' x 8' SHEETS OF ALUMINUM
- THE WORD, "CAUTION", TO BE RED IN COLOR

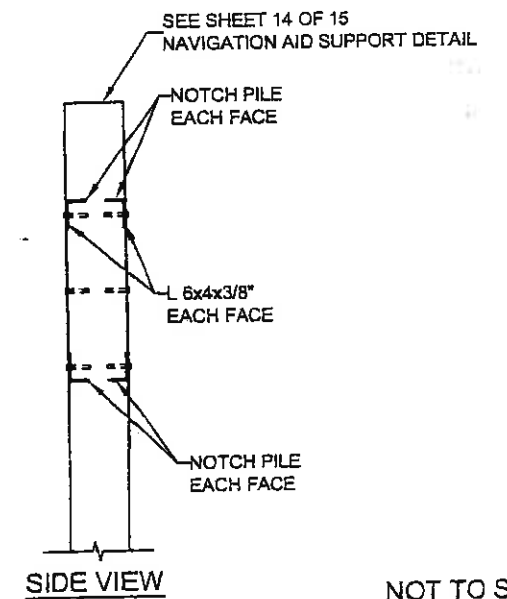
NOTE: ARROW DIRECTION IS REVERSED ON SIGNS. FOUR SIGNS REQUIRED (2 WITH ARROWS POINTING LEFT, AND 2 WITH ARROWS POINTING RIGHT.) SIGNS TO BE INSTALLED AT TOP OF AVERY CANAL WEIR STRUCTURE, ON 6" Ø ALUMINUM POSTS STRUCTURE EMBEDDED IN RIPRAP (ELEV. +5 NAVD) WITH CONCRETE. BOTTOM OF SIGN TO BE AT ELEVATION +7.0 NAVD' 88.



PLAN



ELEVATION



SIDE VIEW

NOT TO SCALE

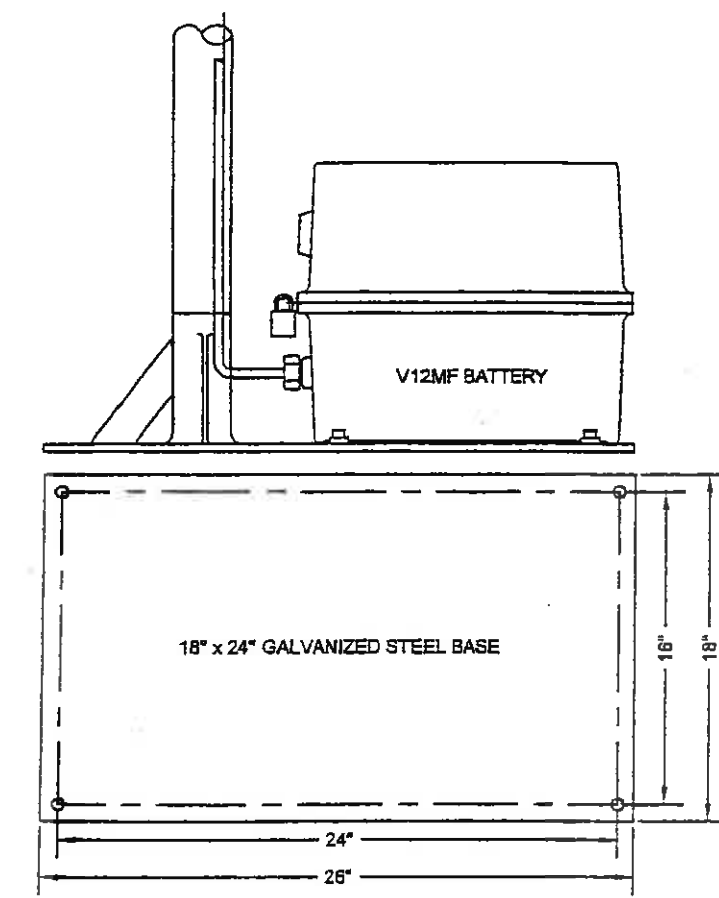
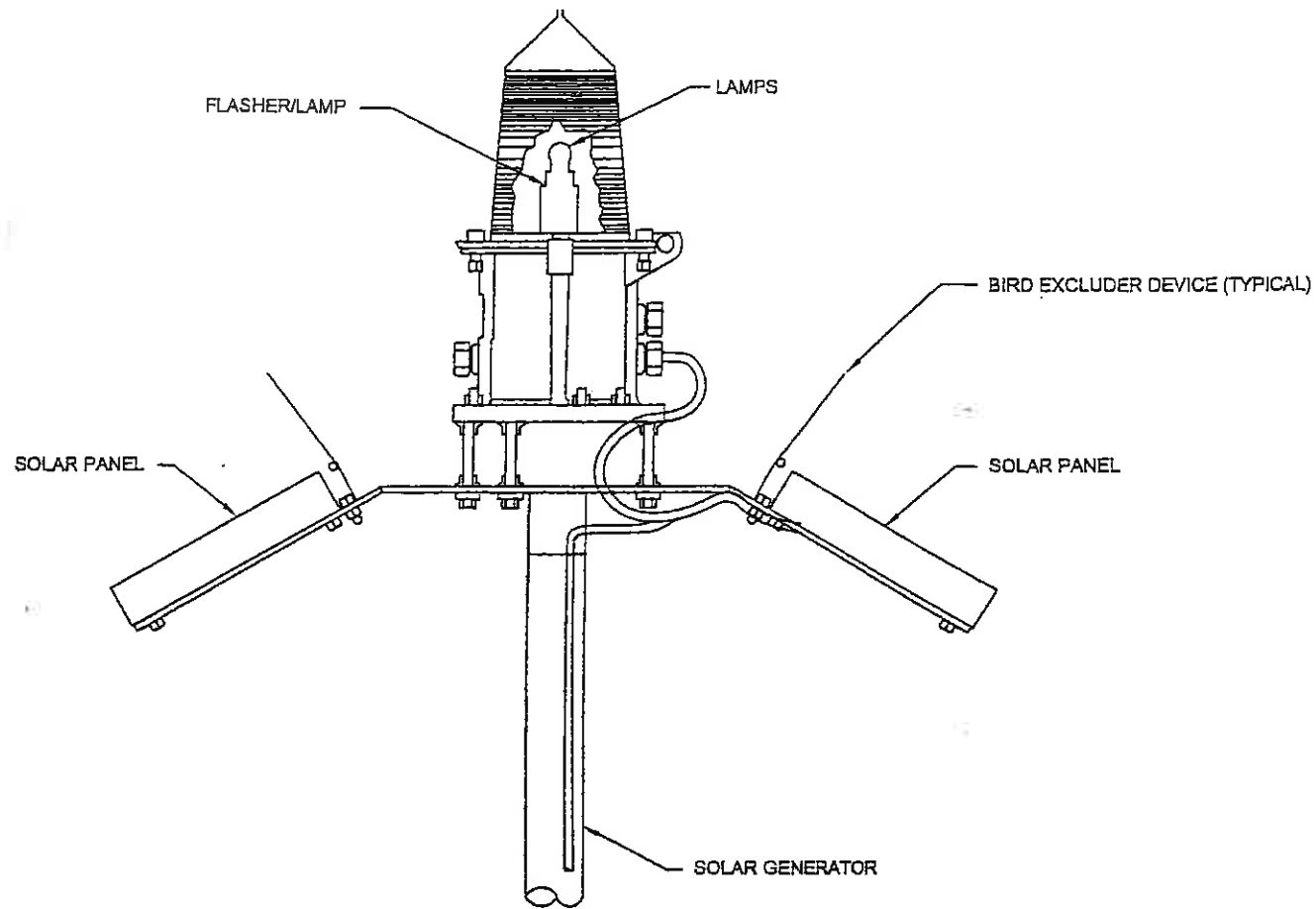
SIGN DETAIL - TYPE "B" FOR AVERY CANAL SITE & COW PATH SITE

CONSTRUCTION NOTES:

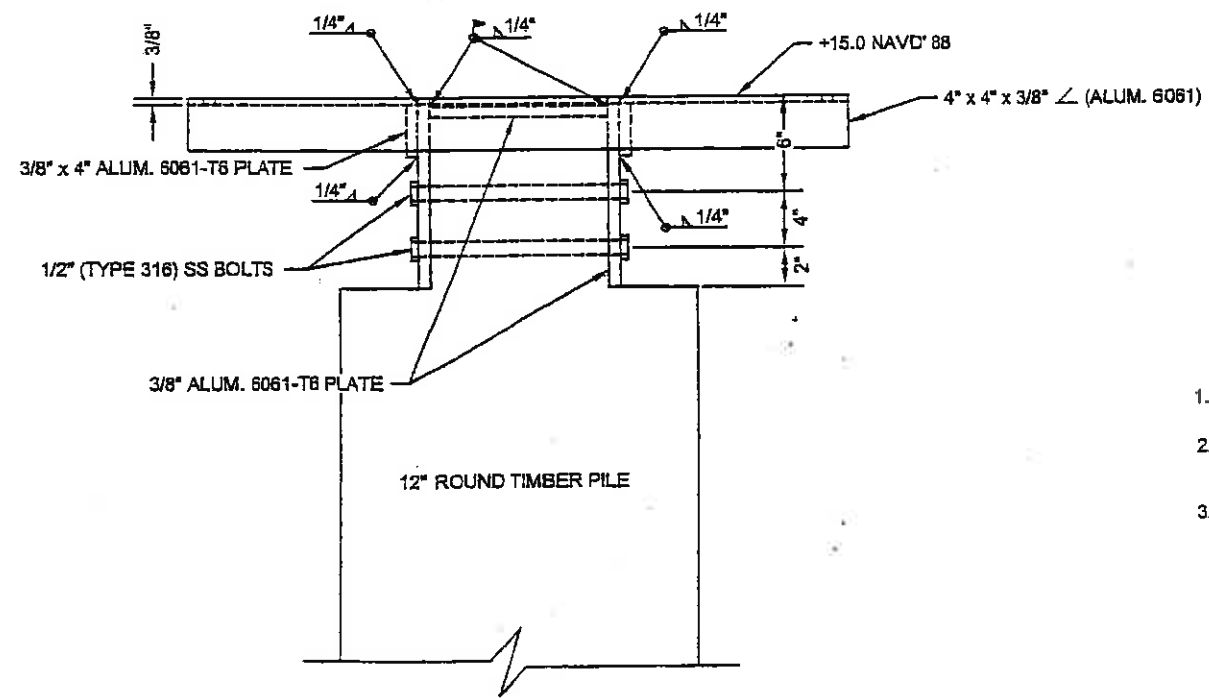
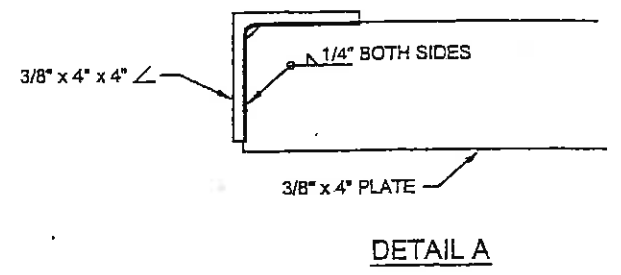
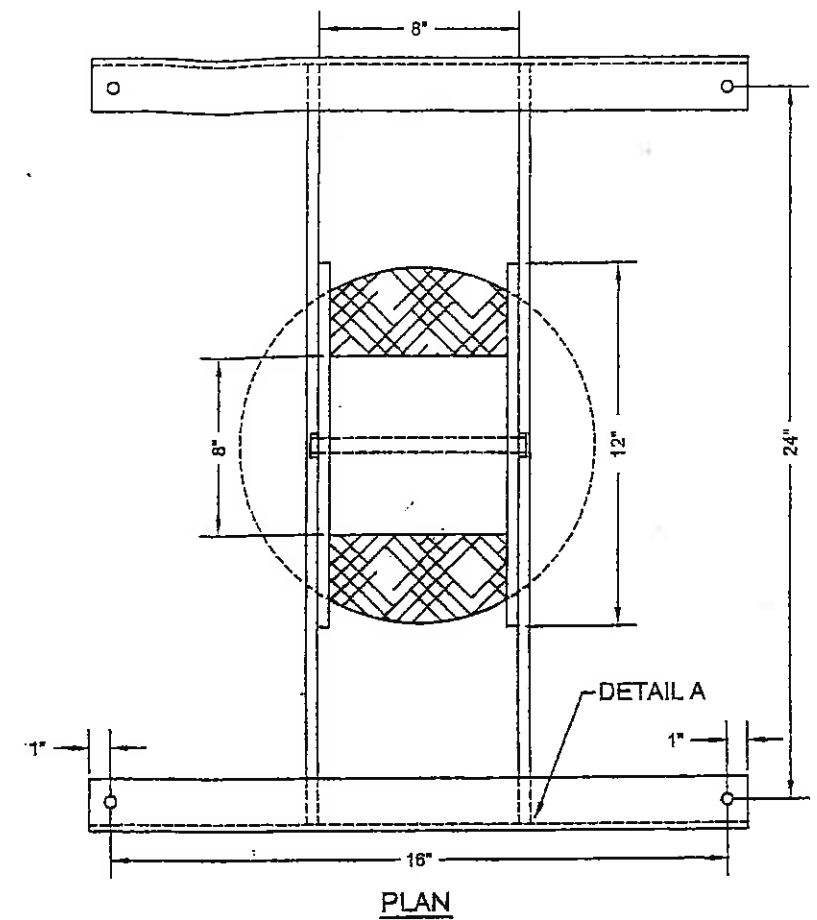
1. THE 2" BORDER ON THE TYPE "B" WARNING SIGN SHALL BE ORANGE RETRO-REFLECTIVE MATERIAL. THE LETTERING FIELD IS TO BE WHITE RETRO-REFLECTIVE MATERIAL. THE LETTERING FOR THE WARNING SIGNS IS TO BE BLACK.
2. WARNING SIGNS ARE TO FACE BOTH NORTH AND SOUTH AT SITES 2 AND 4.
3. SEE SHEET 6 FOR PLACEMENT AND SPACING.
4. NEOPRENE WASHERS ARE TO BE PLACED BETWEEN STEEL ANGLE AND ALUMINUM SIGNS.



SIGN DETAILS	
DEPARTMENT OF NATURAL RESOURCES COASTAL RESTORATION DIVISION AND U.S. DEPARTMENT OF AGRICULTURE NATURAL RESOURCES CONSERVATION SERVICE	
PROJECT NO.: 09-AE-02	DATE: 11-06-02
DRAWN BY: A.G.J.	FIGURE NO.: 13



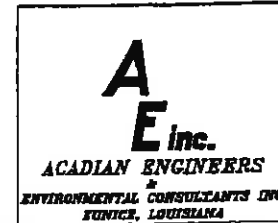
ELEVATION
SOLA CHAN MLED 120/24



ELEVATION
MOUNTING DETAILS - 2.5 SEC. DAYLIGHT

1. NOTCH ROUND TIMBER PILE FOR FLUSH ALUMINUM MOUNTING BRACKET ATTACHMENT.
2. HOLES IN ALUMINUM SHALL BE 1/16\"/>

NOT TO SCALE



DAYLIGHT SIGNALS AVERY SITE			
DEPARTMENT OF NATURAL RESOURCES COASTAL RESTORATION DIVISION AND U.S. DEPARTMENT OF AGRICULTURE NATURAL RESOURCES CONSERVATION SERVICE			
PROJECT NO.	99-AE-02	DATE	12-28-01
DRAWN BY	J. MIRE	FRAME NO.	15