

STATE OF LOUISIANA
GRAMBLING STATE UNIVERSITY
GRAMBLING, LOUISIANA
A Member of the University of Louisiana System

INVITATION TO BID
FOR
IFB- 50018-240
Carver Hall Biology Lab Rm. 174

ISSUING AGENCY: Grambling State University
Purchasing Department
403 Main Street, Purchasing BLG
Grambling, La 71245

ACTING PURCHASING DIRECTOR: Erin Walker
Telephone: 318.274.3280 (o) walkere gram.edu (e)

REQUISITIONED BY: amien ha man
Telephone: 318.274.313 (o) cha mand gram.edu (e)

R S T B
Telephone: Tracy elson
318 7 317 (o) nelson gram.edu (e)

RELEASE DATE: ovember 7 0 3

MANDATORY PRE-BID MEETING: ovember 1 0 3 a 10 00 a m STT

MANDATORY LOCATION: arver all obby rea

BID OPENING DATE: ovember 1, 20 3

BID OPENING TIME: 10 30 a.m., CST

BID OPENING LOCATION: GSU Purchasing Teleconference: Number
1-917-900-1022, Conference ID: 5600581#

This ITB is available in electronic form by emailing purchasingbids@gram.edu. It is the Bidder's responsibility to check for any possible addenda that may be issued.

Notice To Vendors This Is Not An Order. It Is Merely A Request For Prices	GRAMBLING STATE UNIVERSITY Grambling Louisiana REQUEST FOR QUOTATION	DATE: November 7, 2023	Date and Time by Which Quotation Must be Returned: November 1, 2023 10:00 am
	<u>Acilities Department</u> Department	TO THE VENDOR: To be returned on or before date specified above to: GRAMBLING STATE UNIVERSITY PURCHASING DEPARTMENT Website: Purchasingbids@gram.edu	
Name and Address of Vendor (Firm or Individual)		NOTE: THE UNIVERSITY RESERVE THE RIGHT TO ACCEPT OR REJECT ANY OR ALL BIDS, AND WAIVE INFORMALITIES THIS BID IS DUE IN PURCHASING OFFICE AS STATED ABOVE <u>LATE BIDS NOT ACCEPTED</u>	
PURCHASEREQUISITION NO. R00 BID 50018-2400 0 P. O. No.			

INSTRUCTIONS TO BIDDERS:

1. READ THE ENTIRE BID, INCLUDING ALL TERMS AND CONDITIONS AND SPECIFICATIONS.
2. ALL BID PRICES MUST BE TYPED OR WRITTEN IN INK. ANY CORRECTIONS, ERASURES OR OTHER FORMS OF ALTERATION TO UNIT PRICES SHOULD BE INITIALED BY THE BIDDER.
3. THIS BID IS TO BE MANUALLY SIGNED IN INK.
4. BID PRICES SHALL INCLUDE DELIVERY OF ALL ITEMS FREIGHT ON BOARD (FOB) DESTINATION OR AS OTHERWISE PROVIDED. BIDS CONTAINING "PAYMENT IN ADVANCE" OR CASH ON DELIVERY (COD) REQUIREMENTS MAY BE REJECTED. PAYMENT IS TO BE MADE WITHIN 30 DAYS AFTER RECEIPT OF PROPERLY EXECUTED INVOICE OR DELIVERY, WHICHEVER IS LATER.
5. BIDS SUBMITTED ARE SUBJECT TO PROVISIONS OF THE LAWS OF THE STATE OF LOUISIANA INCLUDING BUT NOT LIMITED TO L.R.S. 39:1551-1736; PURCHASING RULES AND REGULATIONS; EXECUTIVE ORDERS; STANDARD TERMS AND CONDITIONS; SPECIAL CONDITIONS; AND SPECIFICATIONS LISTED IN THIS SOLICITATION.
6. THIS IS A SEALED BID and MUST BE EMAILED TO THE GSU PURCHASING DEPARTMENT VIA EMAIL ACCOUNT:
Purchasingbids@gram.edu
7. TO ASSURE CONSIDERATION OF YOUR BID, ALL BIDS AND ADDENDA SHOULD BE RETURNED IN AN ENVELOPE OR PACKAGE CLEARLY MARKED WITH THE BID NUMBER.
8. BIDS OR QUOTATIONS MAY BE CONSIDERED FOR ALL OR PART OF TOTAL QUANTITIES.
9. NOTE: A COMPLETE RECORD OF ALL BIDS IS KEPT ON FILE IN THE PURCHASING DEPARTMENT SUBJECT TO THE INSPECTIONS OF ANY CITIZEN. EVERY COURTESY WILL BE AFFORDED ANY CITIZEN WHO IS INTERESTED IN INVESTIGATING FOR ANY PURPOSE THE RECORD OF STATE PURCHASES. COPIES OF EVALUATION CAN BE FAXED TO YOU ONLY AFTER RECEIPT OF WRITTEN REQUEST. PLEASE DO NOT CALL.
10. IMPORTANT: BY SIGNING THE BID, THE BIDDER CERTIFIES COMPLIANCE WITH ALL INSTRUCTIONS TO BIDDERS, TERMS, CONDITIONS AND SPECIFICATIONS, AND FURTHER CERTIFIES THAT THIS BID IS MADE WITHOUT COLLUSION OR FRAUD. THIS BID IS TO BE MANUALLY SIGNED IN INK BY A PERSON AUTHORIZED TO BIND THE VENDOR. ALL BID INFORMATION SHALL BE MADE WITH BLUE INK OR TYPE WRITTEN.
11. ORDER OF PRIORITY. IN THE EVENT THERE IS A CONFLICT BETWEEN THE INSTRUCTIONS TO BIDDERS OR STANDARD CONDITIONS AND THE SPECIAL CONDITIONS, THE SPECIAL CONDITIONS SHALL GOVERN.

For questions regarding this bid, please contact Erin Walker at 318.274.3280

TO THE VENDOR: Bid Bond of 5% will be required Required Performance Bond of 50% will not be required Not Required Recommended Site Visit: November 1, 2023 10:00 am CST Deadline to Receive Inquiries: November 1, 2023 Deadline to Respond to Inquiries: November 17, 2023 Bid Opening: November 1, 2023 at 10:00 am CST Louisiana Contractor's License #:	THIS QUOTATION IS SUBMITTED BY Name of Vendor (Firm or Individual) _____ Signature _____ Name (Printed) _____ Telephone # _____ Fax # _____ Email Address _____ Title _____ Vendor Quote # _____ Date Submitted _____
---	--

Veteran-Owned and Service-Connected Disabled Veteran-Owned (Veteran Initiative) and Louisiana Initiative for Small Entrepreneurships (Hudson Initiative) Program

This procurement has been designated as suitable for Louisiana certified small entrepreneurships participation.

The State of Louisiana Veteran and Hudson Initiatives small entrepreneurship programs are designed to provide additional opportunities for Louisiana-based small entrepreneurships (sometimes referred to as LaVet's and SE's respectively) to participate in contracting and procurement with the state. A certified Veteran-Owned and Service-Connected Disabled Veteran-Owned small entrepreneurship (LaVet) and a Louisiana Initiative for Small Entrepreneurships (Hudson Initiative) are businesses that have been certified by the Louisiana Department of Economic Development. All eligible vendors are encouraged to become certified. Qualification requirements and online certification are available at <https://smallbiz.louisianaeconomicdevelopment.com>.

Bidders that are not eligible for certification are encouraged to use Veteran-Owned and Service-Connected Disabled Veteran-Owned and Hudson Initiative small entrepreneurships where sub-contracting opportunities exist.

For a good faith effort, written notification is the preferred method to inform Louisiana certified Veteran Initiative and Hudson Initiative small entrepreneurships of potential subcontracting opportunities. A current list of certified Veteran-Owned and Service-Connected Disabled Veteran-Owned and Hudson Initiative small entrepreneurships may be obtained from the Louisiana Economic Development Certification System at <https://smallbiz.louisianaeconomicdevelopment.com>. Additionally, a current list of Hudson Initiative small entrepreneurships, which have been certified by the Louisiana Department of Economic Development and have opted to enroll in the State of Louisiana Procurement and Contract (LaPAC) Network, may be accessed from <https://wwwcfprd.doa.louisiana.gov/OSP/LaPAC/vendor/srchven2.cfm>. You may then determine the search criteria (i.e. alphabetized list of all certified vendors, by commodities, etc.), and select "Smalle".

Copies of notification to at least three (or more) certified Veteran Initiative and Hudson Initiative small entrepreneurships will satisfy the notification requirements. Notification must be provided to the certified entrepreneurships by the bidder in writing no less than five working days prior to the date of bid opening. Notification must include the scope of work, location to review plans and specifications (if applicable), information about required qualifications and specifications, any bonding and insurance information and/or requirements (if applicable), and the name of a person to contact. If a certified Veteran-Owned or Service-Connected Disabled Veteran-Owned or Hudson Initiative small entrepreneurship was not selected, the bidder must certify and maintain written justification of the selection process. The state reserves the right to request confirmation of this information at any time.

In the event questions arise after an award is made relative to the bidder's good faith efforts, the bidder will be required to provide supporting documentation to demonstrate its good faith subcontracting plan was actually followed. If it is at any time determined that the contractor did not in fact perform its good faith subcontracting plan, the contract award or the existing contract may be terminated.

Contractors will be required to report Veteran-Owned and Service-Connected Disabled Veteran-Owned and Hudson Initiative small entrepreneurship subcontractor or distributor participation and the dollar amount of each to the GSU Purchasing Department along with the Clear Lien.

The statutes (LA R.S. 39:2171 *et. seq.*) concerning the Veteran Initiative may be viewed at www.legis.la.gov; and the statutes (LA R.S 39:2001 *et. seq.*) concerning the Hudson Initiative may be viewed at www.legis.la.gov. The rules for the Veteran Initiative (LAC 19:VII.Chapters 11 and 15) and for the Hudson Initiative (LAC 19:VIII.Chapters 11 and 13) may be viewed at <http://www.doa.louisiana.gov/osp/se/se.htm>.

The State requires competitive pricing, qualifications, and demonstrated competencies in the selection of contractors.

If you are a Certified Small Entrepreneur (Hudson Initiative), Veteran Owned Small Entrepreneurs, or Service-Connected Disabled Veteran-Owned (Veteran Initiative) vendor, please state your Certification Number below.

Certification No./Date of certification.: _____

LOUISIANA UNIFORM PUBLIC WORK BID FORM

TO: Grambling State University
Purchasing Dept
GSU P.O. Box 4269.
Grambling, La 71245

BID FOR: Carver Hall Biology Lab Rm. 174
Bid No.: 50018-2400

The undersigned bidder hereby declares and represents that she/he; a) has carefully examined and understands the Bidding Documents, b) has not received, relied on, or based his bid on any verbal instructions contrary to the Bidding Documents or any addenda, c) has personally inspected and is familiar with the project site, and hereby proposes to provide all labor, materials, tools, appliances and facilities as required to perform, in a workmanlike manner, all work and services for the construction and completion of the referenced project, all in strict accordance with the Bidding Documents prepared by: Grambling State University and dated: November 7, 2023.

Bidders must acknowledge all addenda. The Bidder acknowledges receipt of the following ADDENDA:

No. ___ Dated: ___ No. ___ Dated: ___ No. ___ Dated: ___
No. ___ Dated: ___ No. ___ Dated: ___ No. ___ Dated: ___

TOTAL BASE BID: For all work required by the Bidding Documents for the Carver Hall Biology Lab Rm. 174 we bid the sum of:

_____ Dollars (\$ _____)

NAME OF BIDDER: _____

ADDRESS OF BIDDER: _____

FAX NO.: _____ EMAIL ADDRESS: _____

LOUISIANA CONTRACTOR'S LICENSE NUMBER: _____

NAME OF AUTHORIZED SIGNATORY OF BIDDER: _____

TITLE OF AUTHORIZED SIGNATORY OF BIDDER: _____

AUTHORIZED SIGNATURE OF BIDDER *: _____

DATE: _____

THE FOLLOWING ITEMS ARE TO BE INCLUDED WITH THE SUBMISSION OF THIS LOUISIANA UNIFORM PUBLIC WORK BID FORM:

*The Unit Price Form shall be used if the contract includes unit prices. Otherwise it is not required and need not be included with the form. The number of unit prices that may be included is not limited and additional sheets may be included if needed.

**A CORPORATE RESOLUTION OR WRITTEN EVIDENCE of the authority of the person signing the bid for the public work as prescribed by LA R.S. 38.2212(B)(5).

BID SECURITY in the form of a bid bond, certified check or cashier's check as prescribed by LA R.S. 38:2218.A is attached to and made a part of this bid. If a bid bond is provided it shall be on the attached form and only on the attached form.

Grambling State University (GSU)

Carver Hall Biology Lab Rm. 174

PROJECT SUMMARY

Grambling State University has secured funds for the purpose of renovating one (1) research Biology lab 810 sq. ft. (30' x 27') respectively located on the first floor of Carver Hall Science Building. The physical layout of this Research Lab Room is functionally obsolete and unattractive. To promote greater interactivity between faculty and students, we are seeking to replace the traditional model design of aged equipment, lab benches and other furnishings with a new design, more attractive and modern appeal that helps to aid with the creative thinking conducive to learning.

Description of Project

· Remove three (3) rows of double lab benches and three (3) rows of double lab benches with drawers and cabinets. Replace all with new/modern furnishings ra i g ill be rovi e a a a o r y e e i g.

- Remove and replace all other lab benches
- Remove and replace deep sinks at each end of row that tie into plumbing
- Include one (1) ADA compliant lab bench as needed for each lab
- Remove and replace instructor's desk with a mobile instructor's desk
- Remove and replace all wall mounted and free-standing storage cabinets
- Keep water for all labs with hot water taps preferred (Specs provided)
- Replace existing lights w/new suspended LED fixtures (provide specs.)
- Re-route and/or add electrical wiring to accommodate lab equipment needs
- Paint all walls- Bone white ()
- Provide new Blinds cordless manual blind commercial au wood blind white
- Replace any broken/damaged windows
- Paint and/or refurbish all lab doors
- Replace and/or resurface epoxy floors (color provided)
- Restore Gas
- Keep Chalk Board

○ Specifications:

- S R / B B S o 111 Barnwood ak
- wood asework
- Phenolic resin counter- tops
- chrome fixtures

Room dimensions: 30 x 27

Three (3) benches (regular and 1) 1 3

FLOORS: Steel Gray (54)

SHERWIN-WILLIAMS.

COLOR CARD

STANDARD INDUSTRIAL COLORS

We offer a wide range of flooring systems for virtually any industrial application — from warehouses to parking decks to food service operations. Our systems are designed to minimize your downtime while giving you the performance you demand. But specifying the right color can be as important as selecting the appropriate coating. Color can improve employee morale, enhance your image, increase productivity and contribute to the safety of your employees. Sherwin-Williams strives to provide the products you need in the color you require. In addition to the standard colors identified here, custom colors are also available.



Charcoal (53)



Steel Gray (54)



Bone White (55)



Silver Gray (56)



Parchment (62)



Royal Blue (69)



Pewter (71)



Classic Tile Red (74)



Caramel (75)

Also available in 654 White (59) and 776 Black (61). Computerized custom color matching available upon request.

This reproduction approximates the actual color. Factors such as the type of product, degree of gloss, texture, size and shape of area, lighting, heat or method of application may cause color variance. Contact your Sherwin-Williams representative for details.

THE SHERWIN-WILLIAMS DIFFERENCE

Sherwin-Williams High Performance Flooring delivers world-class industry subject matter expertise, unparalleled technical and specification service, and unmatched regional commercial team support to our customers around the globe.

United States & Canada
[sherwin-williams.com/protective](https://www.sherwin-williams.com/protective)
swflooring@sherwin.com

©2020 The Sherwin-Williams Company
High Performance Flooring
PW-100002-CC-Q2/20

FEATURES & SPECIFICATIONS

INTENDED USE — Built on the compact, low-profile Z strip channel, this LED strip offers long maintenance-free life, several color temperatures, lumen outputs and lengths. Ideal for new construction and retrofit applications in T5 and T8 lengths. Ideal for uplight and downlight in commercial, retail, manufacturing, warehouse, cove and display applications. **Certain airborne contaminants can diminish the integrity of acrylic and/or polycarbonate.** [Click here for Acrylic-Polycarbonate Compatibility table for suitable uses.](#)

CONSTRUCTION — Compact-design channel and cover are formed from code-gauge cold-rolled steel. Easy to install row aligner included for continuous row mounting.

Finish: Paint options include high-gloss, baked white enamel (WH), galvanized (GALV), matte black (MB) and smoke gray (SKGY). After fabrication, five-stage iron phosphate pre-treatment ensures superior paint adhesion and rust resistance.

OPTICS — Standard diffuse snap on/snap off lens eliminates pixels, improves uniformity and minimizes glare. L/LENS option available.

ELECTRICAL — L70>60,000hours. Utilizes high-output LEDs integrated on a two-layer circuit board, ensuring cool-running operation. Optional internal pluggable wiring harness for reduced labor cost in row mounting applications. (See PLR_ordering information on page 3.) Electronic LED driver is rated for 75 input watts maximum (see Operational Data on page two for actual wattage consumption), **multi-volt input and 0-10V dimming standard.** This fixture is designed to withstand a maximum line surge of 2.5kV at 0.75kA combination wave for indoor locations, for applications requiring higher level of protection additional surge protection must be provided.

LEDs provide nominal 80 CRI at 3000 K, 3500 K, 4000 K, or 5000 K.

Lumen output up to 2,000 lumens per foot. In 86°F (30°C) ambient environments. Luminaire should be installed in applications where ambient temperatures do not exceed 86°F (30°C).

INSTALLATION — Tool-less channel cover for easy installation.

Fixture may be surface mounted (with or without ZSPRG hanger), pendant or stem mounted with appropriate mounting options. Three-point aligner locks in place for easy continuous row mounting.

LISTINGS — CSA certified to US and Canadian safety standards. For use in damp locations between -40°F (-40°C) and 86°F (30°C).

DesignLights Consortium® (DLC) qualified product. Not all versions of this product may be DLC qualified. Please check the DLC Qualified Products List at www.designlights.org to confirm which versions are qualified.

WARRANTY — 5-year limited warranty. Complete warranty terms located at: www.acuitybrands.com/support/customer-support/terms-and-conditions

Note: Actual performance may differ as a result of end-user environment and application.

All values are design or typical values, measured under laboratory conditions at 25 °C.

Specifications subject to change without notice.

Catalog Number
Notes
Type



LED Striplight

ZL1N

24", 48" and 96" Lengths



L/Lens

Lensed

A+ Capable Luminaire

This item is an A+ capable luminaire, which has been designed and tested to provide consistent color appearance and out-of-the-box control compatibility with simple commissioning.

- All configurations of this luminaire meet the Acuity Brands' specification for chromatic consistency
- This luminaire is part of an A+ Certified solution for nLight® or XPoint™ Wireless control networks marked by a shaded background*

To learn more about A+, visit www.acuitybrands.com/aplus.

*See ordering tree for details

ZL1N LED Striplight



A+ Capable options indicated by this color background.

ORDERING INFORMATION

Lead times will vary depending on options selected. Consult with your sales representative.

Example: ZL1N L48 3000LM FST MVOLT 40K 80CRI WH

Series	Length	Reflectors ²	Nominal lumens ³	Diffuser	Voltage
ZL1N LED striplight	L24 24" ¹	(blank) Less reflector	1500LM 1,500 lumens	FST Snap on frosted, diffuse	MVOLT 120-277V
		SMR Symmetric	2500LM 2,500 lumens	L/LENS No diffuser	120 120V
			3500LM 3,500 lumens	SBL FST Straight blade louver with snap on frosted, diffuse	208 208V
	L46 46" L48 48"	(blank) Less reflector	3000LM 3,000 lumens		240 240V
		ASR Asymmetric (L48 only)	5000LM 5,000 lumens		277 277V
		SMR Symmetric	7000LM 7,000 lumens		347 347V ⁴
TZL1N LED striplight	L92 92"	(blank) Less reflector	6000LM 6,000 lumens		480 480V ⁴
	L96 96"	SMR Symmetric	10000LM 10,000 lumens		
				14000LM 14,000 lumens	

Color temperature	Color rendering index	Options	Paint finish
30K 3000 K	80CRI 80 CRI	PLR___ Plug-in wiring ^{5,6}	WH White
35K 3500 K	90CRI 90 CRI	PLR1LVG Plug-in wiring-low voltage ^{5,6}	GALV Galvanized
40K 4000 K		E7W Emergency battery pack, ZW CA Title 20 Noncompliant ⁷	MB Matte black
50K 5000 K		2E7W Two Emergency battery packs, ZW CA Title 20 Noncompliant ^{7,8}	SKGY Smoke gray
		E10WLCP Emergency battery pack, 10W Linear Constant Power, Certified in CA Title 20 MAEDBS ⁷	
		2E10WLCP Two Emergency battery packs, 10W Linear Constant Power, Certified in CA Title 20 MAEDBS ⁸	
		E15WLCP Emergency battery pack, 15W Linear Constant Power, Certified in CA Title 20 MAEDBS ^{7,8}	
		OUTEND Cord set to exit endplate of fixture	
		Wireless Controls⁵	
		NLTAIR2 RLSXR10 nLight Air Generation 2 Fixture mount, LSXR sensor low mount 360°	
		NLTAIR2 RLSXR10EM nLight Air Generation 2 Fixture mount, LSXR sensor low mount 360°, UL924 Emergency operation ⁹	
		Individual Controls⁵	
		LBOZU 360° low mount motion sensor, pre-wired ¹⁰	
		LBHOSZU 360° low mount motion sensor with dimming, pre-wired ¹⁰	
		LBPZU 360° low mount motion sensor with photocell, pre-wired ¹⁰	
		LBMOSZU 360° low mount motion sensor, dimming & switching photocell, pre-wired ¹⁰	
		Cord sets:¹¹	
		CS1W Straight plug, 120V	
		CS3W Twist-lock, 120V	
		CS7W Straight plug, 277V	
		CS11W Twist-lock, 277V	
		CS25W Twist-lock, 347V	
		CS97W Twist-lock, 480V	
		CS93W 600V SE00W white cord, no plug (no voltage required)	

Accessories: Order as separate catalog number.			
HC36	Hanger chain, 36"	ZLR L24 SYM WH	24" symmetric reflector, white finish
ZACVH	Aircraft cable 10' (one pair)	ZLR L46 SYM UPL WH	46" symmetric reflector with uplight, white finish
ZLANGBKT	Luma-tilt™ angle bracket for shelf or ledge mounting only	ZLR L46 SYM WH	46" symmetric reflector, white finish
SQ_	Stem kit, 2" increments up to 48"	ZLR L48 ASY WH	48" asymmetric reflector, white finish
NPP16D	nLight® switching/dimming module	ZLR L48 SYM UPL WH	48" symmetric reflector with uplight, white finish
rPP20D	nLight® Air switching/dimming module	ZLR L48 SYM WH	48" symmetric reflector, white finish
LSXR	Sensor Switch® LSXR occupancy sensor ⁴	ZLR L92 SYM UPL WH	92" symmetric reflector with uplight, white finish
ZSPRG	For 15/16" T-grid only	ZLR L92 SYM WH	92" symmetric reflector, white finish
WGZ24	24" wireguard, white ¹²	ZLR L96 SYM UPL WH	96" symmetric reflector with uplight, white finish
WGZ48	48" wireguard, white ^{12,13}	ZLR L96 SYM WH	96" symmetric reflector, white finish
ZLR L24 SYM UPL WH	24" symmetric reflector with uplight, white finish	UNIVERSAL REFL ALIGNER	Universal reflector aligners, quantity 1

Notes

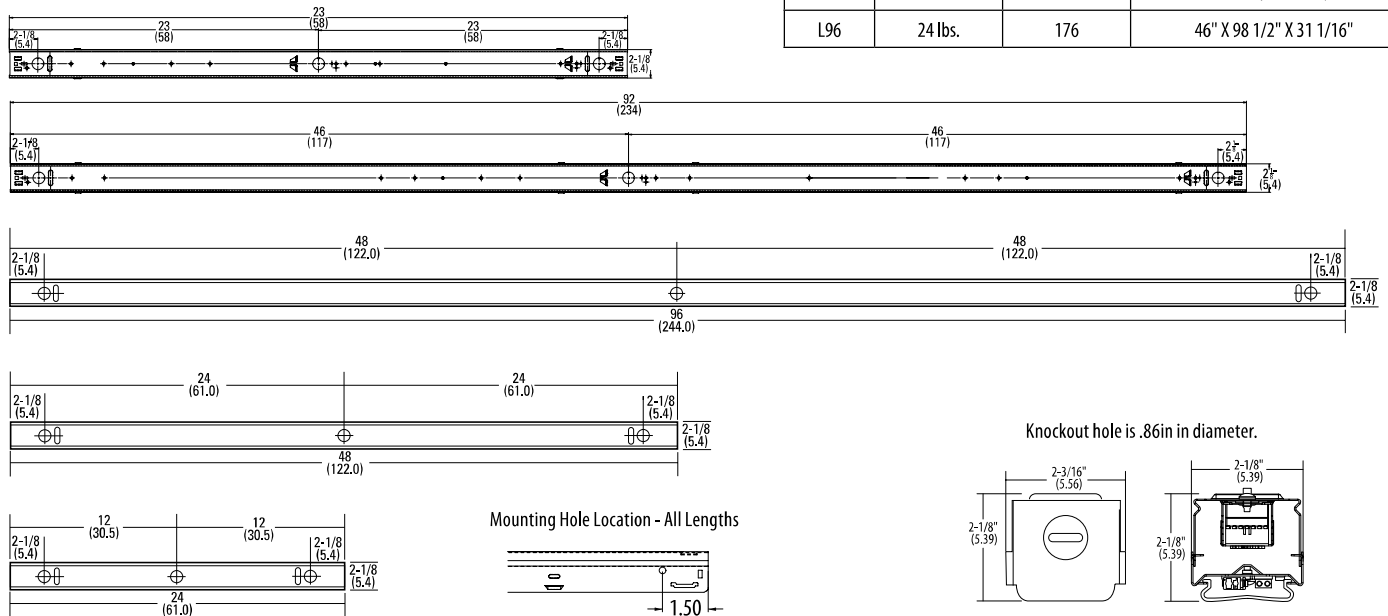
- Not available with 347V, 480V or Batteries
- Optional. Reflectors ship separately.
- See Operational Data on page 2 for actual lumens.
- Utilizes step down transformer.
- See ordering information on pages 4 and 5 and [rLSXR specification sheet](#) for more configurations. When choosing Sensor and PLR for same fixture, consult the factory.
- Not available with cord sets.
- MVOLT only. Not available with cord sets with plugs. Battery Spec sheet linked for more information.
- Only available with 10,000LM and 14,000LM packages.
- MVOLT only.
- Available with MVOLT, 347V and 480V only. This sensor configuration is suitable for minimum ambient temperature of 14°F (-10°C). See page 6 for low temperature option providing -4°F (-20°C) minimum ambient. Sensors come prewired, they must be snapped into place at time of installation.
- Cordsets exit back of fixture unless OUTEND option is specified. Must specify voltage (not required when ordering CS93W).
- Not compatible with reflector
- Order 2 for tandem double length fixtures (TZL1N).

ZL1N LED Striplight

OPERATIONAL DATA												
	Nominal lumen package	Length (inches)	Delivered Lumens 3000 K CCT @ 77°F (25°C) ambient temperature		Delivered Lumens 3500 K CCT @ 77°F (25°C) ambient temperature		Delivered Lumens 4000 K CCT @ 77°F (25°C) ambient temperature		Delivered Lumens 5000 K CCT @ 77°F (25°C) ambient temperature		Wattage @ 120V/277V	Comparable Light Source
			80 CRI	90 CRI	80 CRI	90 CRI	80 CRI	90 CRI	80 CRI	90 CRI		
Lensed	1500LM	24	1738	1409	1777	1467	1804	1494	1871	1528	15	1-lamp 17W T8
	2500LM	24	2265	1846	2315	1900	2351	1947	2438	1991	19	1-lamp 17W T8
	3500LM	24	3586	2924	3666	3026	3723	3084	3860	3152	31	1-lamp 32W T8, 1-lamp 54W T5H0, 50W HID
	3000LM	46 or 48	3172	2586	3243	2677	3293	2728	3415	2788	25	1-lamp 32W T8, 1-lamp 54W T5H0, 50W HID
	5000LM	46 or 48	4417	3601	4515	3727	4585	3798	4754	3882	34	2-lamp 32W T8, 1-lamp 54W T5H0, 70W HID
	7000LM	46 or 48	6535	5328	6681	5515	6785	5619	7035	5744	52	3-lamp 32W T8, 2-lamp 54W T5H0, 100W HID
	6000LM	92 or 96	6561	5349	6708	5537	6812	5642	7063	5767	48	3-lamp 32W T8, 2-lamp 54W T5H0, 100W HID
	10000LM	92 or 96	8687	7082	8881	7331	9019	7470	9351	7636	68	4-lamp 32W T8, 2-lamp 54W T5H0, 100W HID
	14000LM	92 or 96	12457	10513	12735	10665	12933	10711	13409	10949	104	4-lamp 32W T8, 3-lamp 54W T5H0, 150W HID
Unlensed	1500LM	24	1881	1534	1923	1588	1953	1618	2025	1654	15	1-lamp 17W T8
	2500LM	24	2452	1999	2506	2069	2545	2108	2639	2155	19	1-lamp 17W T8
	3500LM	24	3882	3165	3969	3276	4031	3338	4179	3412	31	1-lamp 32W T8, 1-lamp 54W T5H0, 50W HID
	3000LM	46 or 48	3434	2800	3511	2898	3565	2953	3697	3019	25	1-lamp 32W T8, 1-lamp 54W T5H0, 50W HID
	5000LM	46 or 48	4781	3898	4888	4035	4964	4111	5147	4203	34	2-lamp 32W T8, 1-lamp 54W T5H0, 70W HID
	7000LM	46 or 48	7075	5768	7233	5971	7345	6083	7616	6219	52	3-lamp 32W T8, 2-lamp 54W T5H0, 100W HID
	6000LM	92 or 96	7103	5791	7261	5995	7374	6108	7646	6243	48	3-lamp 32W T8, 2-lamp 54W T5H0, 100W HID
	10000LM	92 or 96	9404	7667	9614	7937	9764	8087	10123	8266	68	4-lamp 32W T8, 2-lamp 54W T5H0, 100W HID
	14000LM	92 or 96	13485	10994	13786	11381	14001	11596	14516	11853	104	4-lamp 32W T8, 3-lamp 54W T5H0, 150W HID

DIMENSIONS

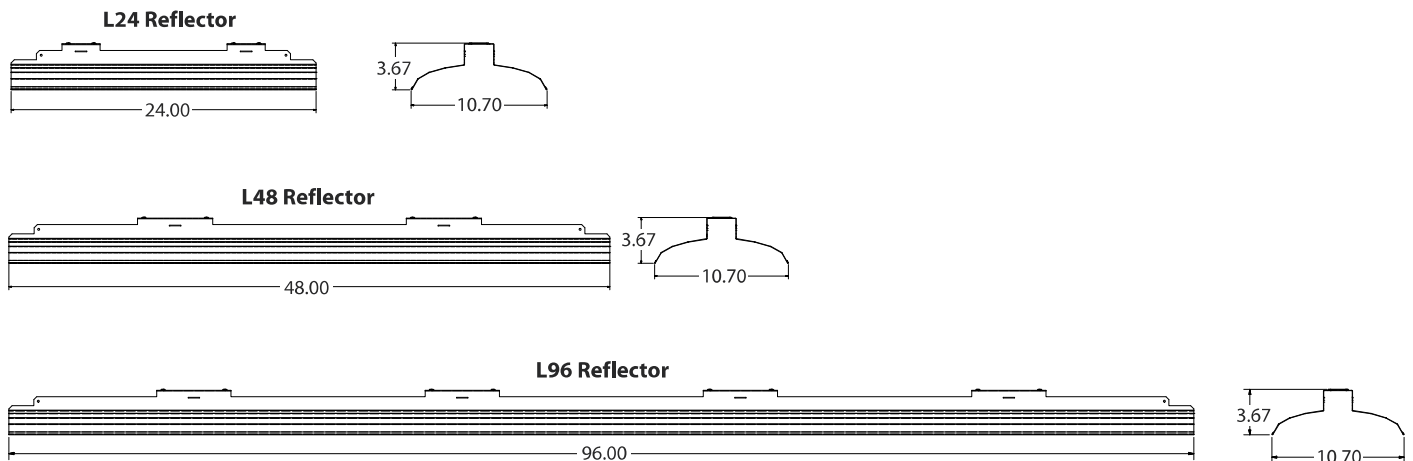
All dimensions are shown in inches (centimeters) unless otherwise noted.
Specifications subject to change without notice.



PHOTOMETRICS

Please see www.lithonia.com

REFLECTORS (Optional)



PHOTOMETRICS

Please see www.lithonia.com

PRODUCT INFORMATION

Advanced plug-in system with two-circuit capability. Available on industrial and strip products and a variety of architectural products mounted in continuous rows. 1, 2, 3 and 4-lamp fixtures. PLR22 (2-circuit) and crossover harness switches hot circuit serving next fixture in row. Reduces fixture types on job for alternating circuit applications (see example below.)

Easy one-step installation, saves up to 35% on labor costs. Expanded switching flexibility helps save energy.

Rows can be 50% longer with two-circuit systems. Polarized, lock-together nylon connectors prevent miswiring in the field. #12 THHN conductor, rated 600V, 90°C. White neutral wire included. Grounding accomplished by fixture in-row connectors.

CSA certified systems available with up to 2 circuits. G ground required.

Note: Specifications subject to change without notice.



Wiring

PLR

Advanced 1 or 2-Circuit Plug-In

ORDERING INFORMATION

Lead times will vary depending on options selected. Consult with your sales representative.

Series	Number of hot wires	Branch circuits	Dimming	Ground
PLR	(blank) Not required for 22	<u>Circuits to which ballast is connected</u>	LV Low-voltage dimming	G Ground, required
PLR22	1 Black	(blank) Not required for 22 or PLR1		
	2 Black and red	A Black wire		
		B Red wire		
		<u>Emergency circuit connected</u>		
		(blank) No emergency circuit		
		ELA Emergency circuit wired to black wire		
		ELB Emergency circuit wired to red wire		

Typical Applications

- Multiple-circuit and single-circuit for longer continuous rows
- Multiple-circuit with alternating fixtures on separate circuits, 2-circuit (PLR 22)
- Multiple circuit with night-lights located along row as desired



The new degree of comfort.™



Commercial Electric
Point-of-Use

Point-of-Use commercial electric line is designed to provide hot water at the consumption point, eliminating costly temperature loss in long piping runs

Features & Benefits

Our family of point-of-use electric water heaters come in 2.5, 6, 10, 15, 19.9 and 30-gallon models. They are available in 1440 W through 6000 W and in 120, 208, 240, 277 and 480 voltages with a maximum temperature setting of 170° F. These units are suited for a wide variety of applications and small enough for installation in limited spaces where modest quantities of hot water are required.

Long Life Tank Design

Proprietary steel formulation with a unique coat of high temperature porcelain enamel maximizes corrosion resistance of the tank. Our R-Tech anode rod provides advanced technology and equalizes aggressive water action. This prolongs the effective life of the anode rod and in turn, the life of the tank.

Long Life Heating Elements

Our patented resistor elements are designed with a specially treated, double layer of magnesium oxide and copper to resist corrosion.

Efficient Design

Rigid polyurethane foam insulation provides superior insulating qualities resulting in reduced operating costs.

Optional Wall Mount Kit

The wall mounting kit provides an easy way to mount the unit off the floor, out of the way for more useable floor space in a small area. Each kit is designed to be used on walls with 16" stud centers. All necessary parts are included in this easy to install kit. (Note: The 2-1/2 gallon model comes standard with a wall mounting kit.)

Automatic Temperature Control

A surface mounted thermostat automatically cycles on and off to maintain the water temperature at a desired preset level.

Temperature Limiting Control

Automatically and safely cuts off the power in the unlikely event that the water temperature exceeds 190°F.

Temperature and Pressure Relief Valve

CSA/ASME rated and factory installed.

Warranty

3-Year limited tank warranty

See Commercial Warranty Certificate for complete information.

Efficiency | These models have been tested according to DOE test procedures, and exceed the minimum energy factor requirements of ASHRAE (Part of the Federally mandated Energy Policy Act (EPact)).

Also exceeds energy efficiency codes of all states including California Energy Commission (CEC).

Safety and Construction | These products are design certified by Underwriters Laboratories (UL) to meet UL standard 174 as electric storage tank water heaters. All models are North Carolina and Massachusetts Code compliant. **Certified for 150 PSI maximum working pressure.**

Continued next page



Rheem Point-of-Use

2.5 to 30-Gallon Capacities
1.5 kW through 6 kW
120, 208, 240, 277 and
480 Voltages
Single Phase
Electric



INTEGRATED AIR & WATER



The new degree of comfort.™



Commercial Electric
Point-of-Use

DIMENSIONAL INFORMATION (All dimensions shown in inches)									
MODEL	MIN WATTS	MAX WATTS	TANK GALLONS	A	B	C	D	E	SHIPPING WEIGHT (LBS.)
EGSP2	1,440	1,500	2-1/2	14	9-3/4	—	—	—	18
EGSP6	1,500	6,000	6	15-1/8	15-3/4	12-5/8	11-5/8	4-1/4	41
EGSP10	1,500	6,000	10	22-7/8	15-3/4	20-3/8	19-3/8	4-1/4	53
EGSP15	1,500	6,000	15	24-1/4	17-3/4	21-7/8	19-3/8	4-5/8	65
EGSP20	1,500	6,000	19.9	25-1/8	19-3/4	22-5/8	19-5/8	5-1/8	76
EGSP30	1,500	6,000	30	30	21-3/4	23	23	2-3/4	115

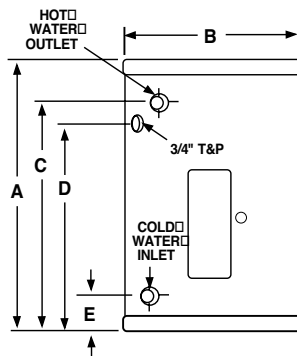
Water Temp. Ratings: Thermostat Type: Surface Mounted Min. Delivered Temperature: 110° F Max. Delivered Temperature: 170° F High Temperature Limit: 190° F

NOTE: Basic model numbers are listed. When ordering, specify electrical input and kW to determine specific model number.

Canadian models have different model numbers than the U.S. models. Add a "C" before the model number (e.g. CEGSP2) when ordering.

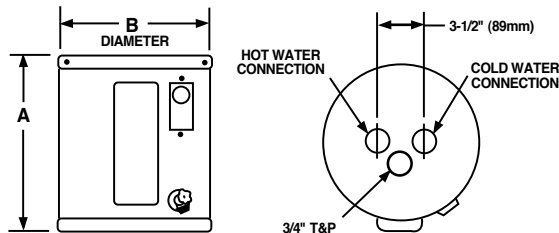
Models:
EGSP6
EGSP10
EGSP15
EGSP20
EGSP30

Water Connections
3/4" NPT



Model:
EGSP2

Water Connections
1/2" NPT



ELEMENT AVAILABILITY					
WATTAGE	120 V	208 V	240 V	277 V	480 V
1,440	**Y	N/A	N/A	N/A	N/A
1,500	Y	Y	**Y	N/A	N/A
2,000	Y	Y	Y	Y	Y
2,500	Y	Y	Y	N/A	N/A
3,000	Y	Y	Y	Y	Y
4,500	N/A	Y	*Y	*Y	*Y
6,000	N/A	Y	Y	Y	Y

*Not available in EGSP6 & EGSP10

**EGSP2 available only in these configurations.

ELECTRICAL CHARACTERISTICS					
ELEMENT WATTAGE	FULL LOAD CURRENT IN AMPERES				
	120 V	208 V	240 V	277 V	480 V
1,440	12.0	N/A	N/A	N/A	N/A
1,500	12.5	7.2	6.3	N/A	N/A
2,000	16.7	9.6	8.3	7.2	4.2
2,500	20.8	12.0	10.4	N/A	N/A
3,000	25.0	14.4	12.5	10.8	6.3
4,500	N/A	21.6	18.8	16.2	9.4
6,000	N/A	28.8	25.0	21.7	12.5

All models employ 1 heating element resulting in a 2-wire outlet (single phase) electrical configuration.

RECOVERY CAPACITIES						
ELEMENT WATTAGE	TEMPERATURE RISE - DEGREES F - GALLONS PER HOUR					
	40°F	60°F	80°F	100°F	120°F	140°F
1,440	15	10	7	6	5	4
1,500	15	10	8	6	5	4
2,000	20	14	10	8	7	6
2,500	25	17	13	10	8	—
3,000	30	20	15	12	10	9
4,500	46	30	23	18	15	13
6,000	61	41	30	24	20	17

Recommended Specifications (for trade reference only)

Water heater(s) shall be model _____, manufactured by Rheem, having electrical input of _____ kW and a recovery rate of _____ GPH at a 100°F temperature rise. Water heater(s) shall have a storage capacity of _____ gallons. Water heater(s) shall have the UL/CSA seal of certification and be factory equipped with an CSA/ASME rated temperature and pressure relief valve. Tank(s) interior shall be coated with a high temperature

porcelain enamel and furnished with an R-Tech resitord magnesium anode rod rigidly supported. Water heater(s) shall meet or exceed the energy factor requirements of ASHRAE. Tanks shall have a working pressure rating of 150 psi, and shall be completely assembled. Water heater(s) shall be equipped with a copper, resitord, "screw-in" type element. Tank shall be insulated with rigid polyurethane foam insulation. Water heater(s) shall be equipped with a surface mounted thermostat with an integral, manual reset, high limit control. Water heater(s) shall be covered by a three year limited warranty against tank leaks.

In keeping with its policy of continuous progress and product improvement, Rheem reserves the right to make changes without notice.

Rheem Water Heating • 101 Bell Road
Montgomery, Alabama 36117-4305 • www.rheem.com

Rheem Canada Ltd./Ltée • 125 Edgeware Road, Unit 1
Brampton, Ontario L6Y 0P5 • www.rheem.com

ZL1N LED Striplight

LSXR — Fixture Mount Occupancy Sensor (see www.AcuityControls.com for additional information)

- Three interchangeable lens options to satisfy multiple mounting heights and coverage pattern requirements.
- Integrated mounting bracket drops lens down 3" from chase nipple.
- Single or dual relay versions — designed with robust protection from the harsh switching requirements of T5 and LED loads.
- Photocell and 0-10VDC dimming options.
- No PIR field calibration or sensitivity adjustments required.
- Sensor ambient temperature rating of 14°F (-10°C) to 131°F (55°C).

LSXR configuration	Comparable CMRB sensor	Old style sensor nomenclature
For shortest lead times use one of the following LSXR configurations		
LCOZU	CMRB 50	MSI
LCH0SZU	CMRB 50 D	MSID
LCPZU	CMRB 50 P	MSIPED
LAOZU	CMRB 6	MSI360
LAH0SZU	CMRB 6 D	MSI360D
LAPZU	CMRB 6 P	MSI360PED

SELECTIONS BELOW WILL EXTEND ORDER LEAD TIME. CONSULT YOUR SALES REPRESENTATIVE FOR DETAILS.

SINGLE RELAY

ORDERING INFORMATION

Example: LAH0SZU

Series	Lens option	Dimming/Photocell	Max. dim level	Min. dim level	Temp/Humidity	Default occupancy time delay
L LSXR passive infrared indoor occupancy sensor	A High mount, 360°	O None ¹	0 10 VDC	S Minimum dim level of ballast	Z None	I 30 sec
		H High/low occupancy operation	9 9 VDC		T Low temperature ²	D 2.5 min
	B Low mount, 360°	P Switching photocell (on/off) ¹	8 8 VDC		1 1 VDC	X 5.0 min
		M Dimming and switching photocell	7 7 VDC		2 2 VDC	R 7.5 min
	C High mount aisleway	G Dimming and switching photocell with high/low occupancy operation			3 3 VDC	U 10.0 min (with minimum 15 minute on time)
					4 4 VDC	V 15.0 min
					5 5 VDC	W 20.0 min
			6 6 VDC	Y 30.0 min		

Notes

- 1 Max and min dim levels not applicable with this option.
- 2 Ambient temperature rating of -4°F (-20°C) to 131°F (55°C).

DUAL RELAY (Available with 120, 277, and 347V only)

ORDERING INFORMATION

Example: LA2KZU

Series	Lens option	Poles	Operating mode	Temp/Humidity	Default occupancy time delay
L LSXR passive infrared indoor occupancy sensor	A High mount, 360° B Low mount, 360° C High mount aisleway	2 Dual relay	J None	Z None	I 30 sec
			K Alternating off relays (promotes even lamp wear)	T Low temperature ¹	D 2.5 min
			O Alternating off relays w/photocell		X 5.0 min
			P Switching photocell(on/off)		R 7.5 min
E Photocell on/off (pole 1 only)		U 10.0 min (with minimum 15 minute on time)			
F Photocell on/off - both poles (dual set-point)		V 15.0 min			
		W 20.0 min			
		Y 30.0 min			

Notes

- 1 Ambient temperature rating of -4°F (-20°C) to 131°F (55°C).

Example: LENS 50 J100

Replacement lenses: Order as separate catalog number.		
Series	Lens type	Package quantity
LENS	6 High mount 360°	[blank] Single Lens
	10 Low mount 360°	J10 10-pack
	50 High mount aisleway	J100 100-pack

OPTIONS AND ACCESSORIES

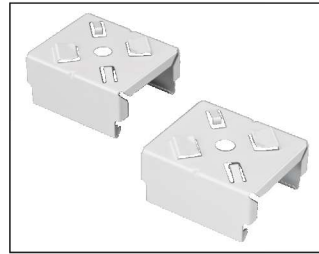
The Z Series fixture offers numerous options for almost every electrical and optical component, including a long list of field-installable accessories.



HANGER CHAIN

36" chain with Y hanger.

Order as:
HC36



Z SPRING HANGER

Snap 'n' lock design requires no fasteners and can be used on T-grid ceiling or universal mounting systems.

Order as:
ZSPRG



ZACVH HANGER

10' Aircraft cable with Y hanger.

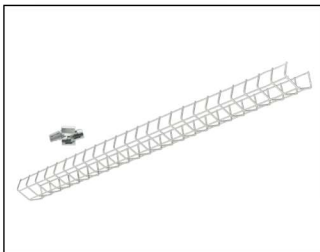
Order as:
ZACVH



ANGLE MOUNTING BRACKET

Luma-tilt™ angle bracket ships as a pair

Order as:
ZLANGBKT



WIRE GUARD

Order as:
WGZ24
WGZ48



The new degree of comfort.™



Commercial Electric
Point-of-Use

Point-of-Use commercial electric line is designed to provide hot water at the consumption point, eliminating costly temperature loss in long piping runs

Features & Benefits

Our family of point-of-use electric water heaters come in 2.5, 6, 10, 15, 19.9 and 30-gallon models. They are available in 1440 W through 6000 W and in 120, 208, 240, 277 and 480 voltages with a maximum temperature setting of 170° F. These units are suited for a wide variety of applications and small enough for installation in limited spaces where modest quantities of hot water are required.

Long Life Tank Design

Proprietary steel formulation with a unique coat of high temperature porcelain enamel maximizes corrosion resistance of the tank. Our R-Tech anode rod provides advanced technology and equalizes aggressive water action. This prolongs the effective life of the anode rod and in turn, the life of the tank.

Long Life Heating Elements

Our patented resistor elements are designed with a specially treated, double layer of magnesium oxide and copper to resist corrosion.

Efficient Design

Rigid polyurethane foam insulation provides superior insulating qualities resulting in reduced operating costs.

Optional Wall Mount Kit

The wall mounting kit provides an easy way to mount the unit off the floor, out of the way for more useable floor space in a small area. Each kit is designed to be used on walls with 16" stud centers. All necessary parts are included in this easy to install kit. (Note: The 2-1/2 gallon model comes standard with a wall mounting kit.)

Automatic Temperature Control

A surface mounted thermostat automatically cycles on and off to maintain the water temperature at a desired preset level.

Temperature Limiting Control

Automatically and safely cuts off the power in the unlikely event that the water temperature exceeds 190°F.

Temperature and Pressure Relief Valve

CSA/ASME rated and factory installed.

Warranty

3-Year limited tank warranty

See Commercial Warranty Certificate for complete information.

Efficiency | These models have been tested according to DOE test procedures, and exceed the minimum energy factor requirements of ASHRAE (Part of the Federally mandated Energy Policy Act (EPact)).

Also exceeds energy efficiency codes of all states including California Energy Commission (CEC).

Safety and Construction | These products are design certified by Underwriters Laboratories (UL) to meet UL standard 174 as electric storage tank water heaters. All models are North Carolina and Massachusetts Code compliant. **Certified for 150 PSI maximum working pressure.**

Continued next page



Rheem Point-of-Use

2.5 to 30-Gallon Capacities
1.5 kW through 6 kW
120, 208, 240, 277 and
480 Voltages
Single Phase
Electric



INTEGRATED AIR & WATER



The new degree of comfort.™



Commercial Electric
Point-of-Use

DIMENSIONAL INFORMATION (All dimensions shown in inches)									
MODEL	MIN WATTS	MAX WATTS	TANK GALLONS	A	B	C	D	E	SHIPPING WEIGHT (LBS.)
EGSP2	1,440	1,500	2-1/2	14	9-3/4	—	—	—	18
EGSP6	1,500	6,000	6	15-1/8	15-3/4	12-5/8	11-5/8	4-1/4	41
EGSP10	1,500	6,000	10	22-7/8	15-3/4	20-3/8	19-3/8	4-1/4	53
EGSP15	1,500	6,000	15	24-1/4	17-3/4	21-7/8	19-3/8	4-5/8	65
EGSP20	1,500	6,000	19.9	25-1/8	19-3/4	22-5/8	19-5/8	5-1/8	76
EGSP30	1,500	6,000	30	30	21-3/4	23	23	2-3/4	115

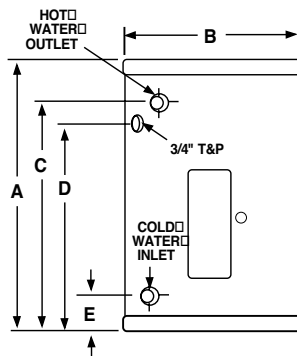
Water Temp. Ratings: Thermostat Type: Surface Mounted Min. Delivered Temperature: 110° F Max. Delivered Temperature: 170° F High Temperature Limit: 190° F

NOTE: Basic model numbers are listed. When ordering, specify electrical input and kW to determine specific model number.

Canadian models have different model numbers than the U.S. models. Add a "C" before the model number (e.g. CEGSP2) when ordering.

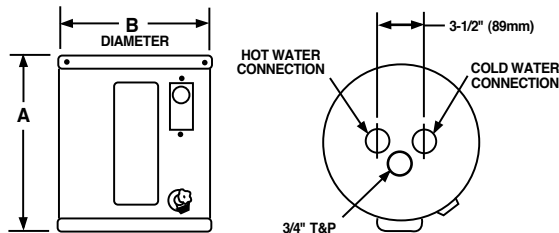
Models:
EGSP6
EGSP10
EGSP15
EGSP20
EGSP30

Water Connections
3/4" NPT



Model:
EGSP2

Water Connections
1/2" NPT



ELEMENT AVAILABILITY					
WATTAGE	120 V	208 V	240 V	277 V	480 V
1,440	**Y	N/A	N/A	N/A	N/A
1,500	Y	Y	**Y	N/A	N/A
2,000	Y	Y	Y	Y	Y
2,500	Y	Y	Y	N/A	N/A
3,000	Y	Y	Y	Y	Y
4,500	N/A	Y	*Y	*Y	*Y
6,000	N/A	Y	Y	Y	Y

*Not available in EGSP6 & EGSP10

**EGSP2 available only in these configurations.

ELECTRICAL CHARACTERISTICS					
ELEMENT WATTAGE	FULL LOAD CURRENT IN AMPERES				
	120 V	208 V	240 V	277 V	480 V
1,440	12.0	N/A	N/A	N/A	N/A
1,500	12.5	7.2	6.3	N/A	N/A
2,000	16.7	9.6	8.3	7.2	4.2
2,500	20.8	12.0	10.4	N/A	N/A
3,000	25.0	14.4	12.5	10.8	6.3
4,500	N/A	21.6	18.8	16.2	9.4
6,000	N/A	28.8	25.0	21.7	12.5

All models employ 1 heating element resulting in a 2-wire outlet (single phase) electrical configuration.

RECOVERY CAPACITIES						
ELEMENT WATTAGE	TEMPERATURE RISE - DEGREES F - GALLONS PER HOUR					
	40°F	60°F	80°F	100°F	120°F	140°F
1,440	15	10	7	6	5	4
1,500	15	10	8	6	5	4
2,000	20	14	10	8	7	6
2,500	25	17	13	10	8	—
3,000	30	20	15	12	10	9
4,500	46	30	23	18	15	13
6,000	61	41	30	24	20	17

Recommended Specifications (for trade reference only)

Water heater(s) shall be model _____, manufactured by Rheem, having electrical input of _____ kW and a recovery rate of _____ GPH at a 100°F temperature rise. Water heater(s) shall have a storage capacity of _____ gallons. Water heater(s) shall have the UL/CSA seal of certification and be factory equipped with an CSA/ASME rated temperature and pressure relief valve. Tank(s) interior shall be coated with a high temperature

porcelain enamel and furnished with an R-Tech resitred magnesium anode rod rigidly supported. Water heater(s) shall meet or exceed the energy factor requirements of ASHRAE. Tanks shall have a working pressure rating of 150 psi, and shall be completely assembled. Water heater(s) shall be equipped with a copper, resitred, "screw-in" type element. Tank shall be insulated with rigid polyurethane foam insulation. Water heater(s) shall be equipped with a surface mounted thermostat with an integral, manual reset, high limit control. Water heater(s) shall be covered by a three year limited warranty against tank leaks.

In keeping with its policy of continuous progress and product improvement, Rheem reserves the right to make changes without notice.

Rheem Water Heating • 101 Bell Road
Montgomery, Alabama 36117-4305 • www.rheem.com

Rheem Canada Ltd./Ltée • 125 Edgeware Road, Unit 1
Brampton, Ontario L6Y 0P5 • www.rheem.com

2" Faux Wood Blinds

PRODUCT SPECIFICATIONS

SureClose Headrail shall be 1⁵/₈" high x 2¹/₄" wide x .022" thick U-shaped, extruded steel with 1¹/₈" lightblocking lip on the bottom center line. The steel finishing process includes phosphate treatment for corrosion resistance, a chrome-free sealer, a low HAP urethane primer, and a topcoat with low HAP, polyester-baked enamel.

Valance choices include 3" Classic and 3" Majestic.

Cord tilter shall be a snap-in component incorporating a worm and pulley of low-friction thermoplastic and a nylon or die-cast zinc gear, depending on size of blind. Tilt cords shall be secured to pulley and treated with tassels at tilt end.

Tilt rod shall be electro-zinc coated solid steel measuring 1/4" square.

Cordlock shall be metal of a snap-in design incorporating a floating, shaft-type locking pin and shall include a crash-proof safety feature that will lock blind automatically upon release of cord.

Cradles shall be made of low-friction thermoplastic with metal lift cord rollers.

Drums shall be made of high-strength thermoplastic, which securely anchors braided ladder or cloth tapes.

Braided ladder shall be made of 100% polyester yarn, incorporating four extra-strength rungs per ladder for slat support. Standard ladder spacing shall be 44 mm.

Cord shall be made of 100% polyester yarn and shall be 1.8 mm thick for standard routes, 1.4 mm for NoHoles™, and 1.2 mm for cordless lift.

Installation brackets shall be a universal style with hinged front cover, made of phosphate-treated steel with urethane primer and polyester-baked enamel finish to match headrail.

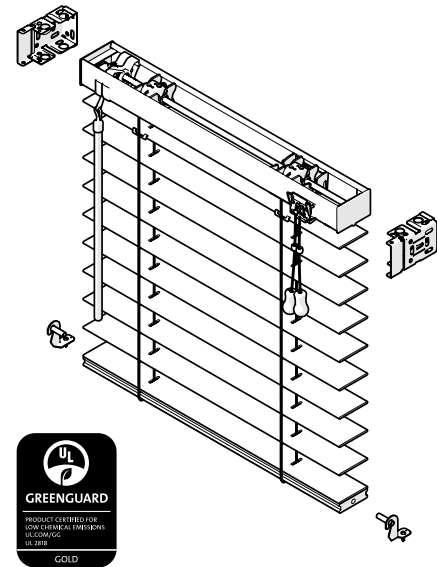
Slats shall be rigid, UV-stabilized, flat PVC nominally 2" wide x 1/8" thick with straight-cut edges. Slats meet the requirement of NFPA 701 Test Method 1-2004 edition.

Bottomrail shall be extruded foam PVC 9/16" high x 2" wide in a rectangular shape and shall coordinate with slats.

Cordless lift option shall use 2" x 2¹/₄" steel headrail.

OPTIONS

- 2¹/₂" slat
- NoHoles privacy and lightblocking slat
- 1" or 1¹/₂" cloth tapes
- Cordless lift
- Ring lift
- Ring tilt (2" only)
- Cord tilt
- Extension brackets
- Hold down brackets
- Cut-outs
- Custom cord lengths available



PRODUCT FEATURES AND BENEFITS

- Flat PVC slats meet NFPA 701
- SureClose™ Headrail system
- Rectangular-shaped bottomrail
- Wand tilt
- Braided ladder
- Compliant with ANSI WCMA A100.1-2018 standard for cord length.
- GREENGUARD Gold certified
- Limited lifetime warranty

The SWFcontract product presented is identical to Graber® Lake Forest® 2" Faux Wood Blinds.

Definitions

(1) "Alternate" means an item on the bid form that may either increase or decrease the quantity of work or change the type of work within the scope of the project, material, or equipment specified in the bidding documents, or both.

(2) "Bidding documents" means the bid notice, plans and specifications, bid form, bidding instructions, addenda, special provisions, and all other written instruments prepared by or on behalf of a public entity for use by prospective bidders on a public contract.

(3)(a) "Change order" means any contract modification that includes an alteration, deviation, addition, or omission as to a preexisting public work contract, which authorizes an adjustment in the contract price, contract time, or an addition, deletion, or revision of work.

(b) "Change order outside the scope of the contract" means a change order which alters the nature of the thing to be constructed or which is not an integral part of the project objective.

(c) "Change order within the scope of the contract" means a change order which does not alter the nature of the thing to be constructed and which is an integral part of the project objective.

(4) "Contractor" means any person or other legal entity who enters into a public contract.

(5)(a) "Emergency" means an unforeseen mischance bringing with it destruction or injury of life or property or the imminent threat of such destruction or injury or as the result of an order from any judicial body to take any immediate action which requires construction or repairs absent compliance with the formalities of this Part, where the mischance or court order will not admit of the delay incident to advertising as provided in this Part. In regard to a municipally owned public utility, an emergency shall be deemed to exist and the public entity may negotiate as provided by R.S. 38:2212(P) for the purchase of fuel for the generation of its electric power where the public entity has first advertised for bids as provided by this Part but has failed to receive more than one bid.

(b) An "extreme public emergency" means a catastrophic event which causes the loss of ability to obtain a quorum of the members necessary to certify the emergency prior to making the expenditure to acquire materials or supplies or to make repairs necessary for the protection of life, property, or continued function of the public entity.

(6) "Licensed design professional" means the architect, landscape architect, or engineer who shall have the primary responsibility for the total design services performed in connection with a public works project. Such professional shall be licensed as appropriate and shall be registered under the laws of the state of Louisiana.

(7)(a) "Louisiana resident contractor", for the purposes of this Part, includes any person, partnership, association, corporation, or other legal entity and is defined as one that either:

(i) Is an individual who has been a resident of Louisiana for two years or more immediately prior to bidding on work,

(ii) Is any partnership, association, corporation, or other legal entity whose majority interest is owned by and controlled by residents of Louisiana, or

(iii) For two years prior to bidding has maintained a valid Louisiana contractor's license and has operated a permanent facility in the state of Louisiana and has not had a change in ownership or control throughout those two years.

(b) For the purposes of Item (a)(ii) of this Paragraph, ownership percentages shall be determined on the basis of:

(i) In the case of corporations, all common and preferred stock, whether voting or nonvoting, and all bonds, debentures, warrants, or other instruments convertible into common or preferred stock.

(ii) In the case of partnerships, capital accounts together with any and all other capital advances, loans, bonds, debentures, whether or not convertible into capital accounts.

(8) "Negotiate" means the process of making purchases and entering into contracts without formal advertising and public bidding with the intention of obtaining the best price and terms possible under the circumstances.

(9) "Probable construction costs" means the estimate for the cost of the project as designed that is determined by the public entity or the designer.

(10) "Public contract" or "contract" means any contract awarded by any public entity for the making of any public works or for the purchase of any materials or supplies.

(11) "Public entity" means and includes the state of Louisiana, or any agency, board, commission, department, or public corporation of the state, created by the constitution or statute or pursuant thereto, or any political subdivision of the state, including but not limited to any political subdivision as defined in Article VI Section 44 of the Constitution of Louisiana, and any public housing authority, public school board, or any public officer whether or not an officer of a public corporation or political subdivision. "Public entity" shall not include a public body or officer where the particular transaction of the public body or officer is governed by the provisions of the model procurement code.

(12) "Public work" means the erection, construction, alteration, improvement, or repair of any public facility or immovable property owned, used, or leased by a public entity.

(13) "Responsive bidder" means the apparent low bidder who submits the proper information or documentation as required by the bidding documents within the ten-day period

(14) "Responsible bidder" means contractor or subcontractor who has an established business and who has demonstrated the capability to provide goods and services in accordance with the terms of the contract, plan, and specifications without excessive delays, extensions, cost overruns, or changes for which the contractor or subcontractor was held to be responsible, and who does not have a documented record of past projects resulting in arbitration or litigation in which such contractor or subcontractor was found to be at fault. Responsible Bidder will have a negotiable net worth, or shall be underwritten by an entity with a negotiable net worth, which is equal to or exceeds in value the total cost amount of the public contract as provided in the bid submitted by such bidder. All property comprising the negotiable net worth shall be pledged and otherwise unencumbered throughout the duration of the contract period.

(15) "Written" or "in writing" means the product of any method of forming characters on paper, other materials, or viewable screen, which can be read, retrieved, and reproduced, including information that is electronically transmitted and stored.

INSTRUCTIONS TO BIDDERS

ARTICLE 1

DEFINITIONS

1.1 The Bidding Documents include the following:

- a. Advertisement for Bids
- b. Instructions to Bidders
- c. Bid Form
- d. Bid Bond
- e. Affidavit of Compliance with LA R.S. 38
- f. General Requirements
- g. Supplementary Conditions
- h. Technical Specifications
- i. Addenda issued during bid period must be acknowledged on returned bid form

1.2 Addenda are written or graphic instruments issued prior to the execution of the Contract which modify or interpret the bidding documents, including Drawings and Specifications, by additions, deletions, clarifications or corrections. Addenda will become part of the Contract Documents when the Contract is executed.

ARTICLE 2

BIDDER'S REPRESENTATION

2.1 Each bidder by submitting a bid represents that s/he has read and understands the bidding documents.

2.2 Each bidder by making a bid represents that s/he has visited the site and familiarized themselves with the local conditions under which the work is to be performed.

2.3 Each bidder by submitting a bid understands they must be fully qualified under any state or local licensing law for Contractors in effect at the time and at the location of the project before submitting a bid. In the State of Louisiana; only the bids of contractors and sub-contractors duly licensed under LA R.S. 37:2150, et. seq., will be considered, if applicable. The Contractor shall be responsible for ensuring all Sub-contractors or prospective Sub-contractors are duly licensed in accordance with the statute above.

2.4 Each bidder submitting a bid understands that GSU's Public Works Policy related to contractor licensure is that a contractor's license is required for any/all projects with an anticipated/bid cost greater than \$50,000

ARTICLE 3

BIDDING PROCEDURES

3.1 Each responsive bid package must be received by the University by the date and time stated in the Advertisement for Bid or Invitation to Bid in this Bid Packet, and include, at a minimum the following documents.

- a. Bid Form
- b. Bid Security or Bid Bond
- c. Acknowledgement of Addenda
- d. Base Bid
- e. Alternates Bid (if applicable)
- f. Signature of Bidder
- g. Name, Title, and Address of Bidder
- h. Name of Firm or Joint Venture
- i. Corporate Resolution or written evidence of the authority of the person signing the bid
- j. Louisiana's Contractor's License Number
- k. Unit Prices, where required, including a description for each unit

3.2 The following items must be provided by the apparent lowest bidder not later than ten (10) calendar days after bid opening, however, it is strongly encouraged that these items be returned with the bid packet. If the apparent lowest bidder was not in attendance at the bid opening, the University Purchasing Department will notify apparent lowest bidder by email, if provided. This will not be the notification of award. If Bidder has not heard from the University within three (3) days, the Bidder should contact the University Purchasing Department. In no instance will the ten (10) days be waived or altered.

- a. Notarized Contractor's Affidavit
- b. E-Verify Affidavit
- c. Past Criminal Convictions Affidavit
- d. Non-Solicitation and Unemployment Affidavit
- e. Insurance Certificate
- f. Resolution, if incorporated

3.3 Once the above items from 3.1 and 3.2 have been received by the University, the University will soon thereafter provide the Bidder with three (3) executed contract originals. The following items must then be promptly returned to the University:

- a. One (1) original, fully-executed contract
- b. Payment & Performance Bond
- c. Proof of filing with the Lincoln Parish Clerk of Court

3.4 Upon receipt of all of the items listed in section 3.1, 3.2 and 3.3 above, the University will issue the Purchase Order (PO) and Notice to Proceed.

3.5 Bids must be prepared on the forms provided by the Owner and submitted in accordance with the Instructions to Bidders.

3.6 A bid will be considered invalid if not deposited at the designated location prior to the time and date for receipt of bids indicated in the Advertisement or Invitation to bid, or prior to any extension thereof issued to the bidders.

3.7 Unless otherwise provided in any supplement to these Instructions to Bidders, no bidder shall modify, withdraw or cancel his bid or any part thereof for thirty (30) days after the receipt of bids. However, written request (letter or email) for the withdrawal of a bid or any part thereof will be granted if the request is received prior to the specified time of opening. Formal bids, amendments thereto or request for withdrawal of bids or any part thereof received after time specified for bid opening will not be considered whether delayed in the mail or for any other cause whatsoever.

3.8 Due to the COVID-19 Public Health Emergency declared by Governor John Bel Edwards in Proclamation Numbers 41, 33, 32, 30, 27, and 25 JBE 2020, electronic bid delivery is being utilized for this ITB.

All copies of each bid must be received by electronic copy to PurchasingBids@gram.edu, on or before the date and time specified in the Advertisement for Bids: Bid # _____ Bid Submission – [Bidders' Name]. If the file size of the email submission exceeds server requirements, the email submission may be broken into smaller emails with "Part 1 of ____" included at the end of each original Subject Line (e.g. ITB # _____ Bid Submission – [Bidders' Name] – Part 1 of 3).

E-mail submissions are the only acceptable method of delivery. Fax, mail, and courier delivery shall not be acceptable. Proposers e-mailing their proposals should allow sufficient time to ensure receipt of their proposal by the date and time specified. Grambling State University assumes no liability for assuring accurate/complete e-mail transmission and receipt. The responsibility solely lies with each Bidder to ensure their bid is received at the specified email address prior to the deadline for submission. Bids received after the deadline, corrupted files, and incomplete submissions will not be considered.

Deadline for electronic emailed bid submissions shall be on November 15, 2023, at 10: 0 A.M., and read aloud via GSU Purchasing Teleconference: Number 1-917-900-1022, Conference ID: 5600581#

3.9 Bids are to be sealed and will be received until the time specified and at the place specified in the advertisement for bids. It shall be the specific responsibility of the Bidders to deliver sealed bids to Grambling State University at the appointed place and prior to the announced time for the opening of bids. Late delivery of a bid for any reason including late delivery by the United States Mail shall disqualify the bid.

3.10 Prior to the receipt of bids, Addenda, if any, will be mailed or delivered (hard copy or email) to each person or firm recorded by the Owner as having received the bidding documents and will be available for inspection wherever the bidding documents are kept available for that purpose. Addenda issued after receipt of bids will be mailed or delivered only to the sealed bidder.

3.11 **Bids for Public Works will not be considered or accepted unless the bid is accompanied by bid security in an amount of not less than five percent (5%) of the sum of the Base Bid and any Alternates.** The bid security shall be in the form of a certified check drawn on a bank insured by the Federal Deposit Insurance Corporation, or a bid bond written by a surety company licensed to do business in Louisiana, accompanied by appropriate power of attorney and in favor of Grambling State University.

3.12 All Bids and Sureties must be signed by a duly authorized person of the firm or corporation and be accompanied by legal evidence authorizing the signature as valid. Any interpretation, correction or change of the Bidding Documents will be made by Addendum. Interpretations, corrections or changes of the Bidding Documents made in any other manner will not be binding, and bidders shall not rely upon such interpretations, corrections and changes.

3.13 If bidding other than as specified, an indication must be made on the bid form, stating manufacturer's name and model number(s) being submitted for bid. Detailed specifications, drawings, pictures, brochures, diagrams or any other literature or information necessary to determine the equality of the bid response must be included with the bid form.

ARTICLE

4

EXAMINATION OF BIDDING DOCUMENTS

4.1 Each bidder shall examine the bidding documents carefully and, not later than seven days prior to the date for receipt of bids, shall make written request to the Owner for interpretation or correction of any ambiguity, inconsistency or error therein which he may discover. Any interpretation or correction will be issued as an Addendum by the Owner. Only a written interpretation or correction by Addendum shall be binding. No bidder shall rely upon any interpretation or correction given by any other method.

ARTICLE

5

SUBSTITUTIONS

5.1 Each bidder represents that his bid is based upon the materials and equipment described in the bidding documents.

MANUFACTURER'S NUMBERS OR TRADE NAMES:

5.2 Where a manufacturer's product is named or specified, it is understood that "or equal" shall apply, whether stated or not. Such name and number is meant to establish the standard of quality desired and does not restrict bidders to the specific brand, make, manufacturer, or specification named; and are set forth and convey to prospective bidders the general style, type, character, and quality of product desired; and that equal products will be acceptable. Grambling State University shall be sole judge as to whether or not the material is equal to that specified.

ARTICLE

6

REJECTION OF BIDS

6.1 The Bidder acknowledges the right of the University to reject any or all bids and to waive any informality or irregularity in any bid received. In addition, the bidder recognizes the right of the University to reject a bid if the Bidder failed to furnish any required bid security, or to submit the data required by the bidding documents, or if the bid is in any way incomplete or irregular.

ARTICLE

7

AWARDS

7.1 Awards may not be made to any person, firm, or company in default of any contract. Said person, firm, or company shall be considered non-responsible bidders and may be reinstated and awards made to them only after they have given evidence of good faith and have satisfactorily completed their obligations.

7.2

PUBLICIZING AWARDS

7.3 Written notice of award shall be sent to the successful bidder. In procurement over \$25,000, each unsuccessful bidder shall be notified of the award provided that he/she submitted with his/her bid a self-addressed envelope requesting this information. Notice of award will be made a part of the procurement file.

RIGHT TO PROTEST

7.4 Any person who is aggrieved in connection with the solicitation or award of a contract shall protest to the Director Purchasing. Protests with respect to a solicitation shall be submitted in writing at least two days prior to the opening of bids on all matters except housing of state agencies, their personnel, operations, equipment, or activities pursuant to R.S. 39:1643 for which such protest shall be submitted at least ten days prior to the opening of bids. Protests with respect to the award of a contract shall be submitted in writing within fourteen days after contract award.

AUTHORITY TO RESOLVE PROTESTS:

7.5 Prior to the commencement of an action in court concerning any controversy, the Director of Purchasing or his/her designee shall have the authority, to resolve the protest of any aggrieved person concerning the solicitation or award of a contract. This authority shall be exercised in accordance with regulations.

ARTICLE 8

PERFORMANCE BOND AND LABOR AND MATERIAL PAYMENT BOND

8.1 Performance and Payment Bonds shall be required on Public Works projects with an expected cost greater than \$50,000. Performance and Payment Bonds, when required, shall be provided in an amount of 50% of the contract price. Performance and Payments Bonds shall be required by the successful bidder. Any surety bond required shall be written by a surety or insurance company currently on the U. S. Department of the Treasury Financial Management Service list of approved bonding companies which is published annually in the Federal Register. For any Public Works projects, no surety or insurance company shall write a bond which is in excess of the amount indicated as approved by the U. S. Department of the Treasury Financial Management Service list. The surety bond written for a Public Works project shall be written by a surety or insurance company that is currently licensed to do business in the State of Louisiana.

8.2 The bidder shall require the attorney in fact who executes the required bonds on behalf of the surety to affix thereto a certified and current copy of his power of attorney indicating the monetary limit of such power.

RECORDING OF BOND AND CONTRACT

- 8.3 The Contractor shall record the Contract and Performance Bond with the Clerk of Court in Lincoln Parish and provide the Purchasing Department with proof of filing.

ARTICLE 9

PAYMENT

- 9.1 Payment will be made by Grambling State University. The contractor will be required to provide a Clear Lien Certificate from the Lincoln Parish Clerk of Court, a process that may take an average 45 days for final payment.

ARTICLE 10

TAXES

- 10.1 Applicable taxes are to be included in lump sum bid.

ARTICLE 11

GUARANTEE

- 11.1 The materials and labor under this contract, as described in the specifications, shall be guaranteed by the Contractor for a period of one year from date of its acceptance against defects of materials or workmanship. Any defects which develop during this period shall be properly repaired or replaced without cost to the Owner as soon as possible.

ACCEPTANCE

- 11.2 The guarantee covering materials and labor under this contract will begin the date a Notice of Acceptance is issued to the Contractor by Grambling State University.

ARTICLE 12

CHANGES IN THE WORK

- 12.1 A Change Order is a written order to the Contractor signed by the Owner, issued after execution of the Contract, authorizing a Change in the Work or an adjustment in the Contract Sum or the Contract Time. The Contract Sum and the Contract Time may be changed only by Change Order. A Change Order signed by the Contractor indicates his agreement therewith, including the adjustment in the Contract Sum or the Contract Time. Any Change Order not signed by the Owner will be considered null and void.
- 12.2 The Owner, without invalidating the Contract, may order changes in the Work within the general scope of the Contract consisting of additions, deletions or other revisions, the Contract Sum and the Contract Time being adjusted accordingly. All such changes in the Work shall be authorized by Change Order, and shall be performed under the applicable conditions of the Contract Documents.
- 12.3 When the Change Order is negotiated it shall be fully documented and itemized as to cost, including material quantities, material costs, insurance, employee benefits, other related costs, profit and overhead, and will be processed in accordance with LA R.S. 38:2222.

SUPPLEMENTARY CONDITIONS

ARTICLE 1

CONTRACTOR

CONTRACTOR'S LICENSE

- 1.1 On any bid amounting to \$50,000 or more, the Contractor shall certify that s/he is licensed under Act 377 of the 1976 Louisiana Regular Legislative Session and show the contractor license number and the bid number on the front portion of the envelope; except projects financed, partially or wholly, with Federal Funds, provided that any successful Bidder before signing Contract thereon, files application for a license and pays the fee as provided in this Act and complies with all terms and provisions of this Act and with the rules and regulations of the Licensing Board.
- 1.2 A subcontractor who wishes to bid or perform commercial work where the total cost of the project including labor and materials for the following must be licensed:
 - \$50,000 or more for major and specialty classifications
 - \$10,000 or more for electrical, mechanical, and plumbing
 - \$1 or more for hazardous

CONTRACTOR'S AFFIDAVIT

- 1.3 In accordance with the Louisiana R.S. 38:2190 -2220, if the Contract is awarded to the successful Bidder, the Bidder shall, at the time of the signing of the Contract, execute the Contractor's Affidavit included in the Contract Documents.

INTEREST

- 1.4 There shall be no payment of interest on money owed.

ARTICLE 2

PAYMENTS AND COMPLETION

SUBSTANTIAL COMPLETION

- 2.1 The Owner will issue a NOTICE OF ACCEPTANCE for the Contractor to record with the Clerk of Court in Lincoln Parish.

FINAL COMPLETION AND FINAL PAYMENT

- 2.2 The Contract is to provide that the contractor is not to be paid more than ninety percent (90%) of the amount of the contract upon completion of the work. The Contractor shall record the NOTICE OF ACCEPTANCE with the Lincoln Parish Clerk of Court and shall furnish a CLEAR LIEN CERTIFICATE from the Clerk of Court within forty-five days after recordation of NOTICE OF ACCEPTANCE. At that time, the remaining ten percent (10%) will be paid.

LIQUIDATED DAMAGES

- 2.3 The Owner will suffer financial loss if the Project is not substantially complete on the date set forth in the CONTRACT DOCUMENTS. The Contractor (and/or Surety) shall be liable for and shall pay to the Owner Liquidated Damages for each calendar day of delay until the work is Substantially Complete.

The Completion Time stated in Consecutive Calendar Days and the Liquidated Damages stated in Dollars per Day are listed in the PROPOSAL FORM

ARTICLE 3

INSURANCE

INSURANCE REQUIREMENTS FOR CONTRACTORS

The Contractor shall purchase and maintain for the duration of the contract insurance against claims for injuries to persons or damages to property which may arise from or in connection with the performance of the work hereunder by the Contractor, its agents, representatives, employees or subcontractors.

A. MINIMUM SCOPE AND LIMITS OF INSURANCE

1. Workers Compensation

Workers Compensation insurance shall be in compliance with the Workers Compensation law of the State of the Contractor's headquarters. Employers Liability is included with a minimum limit of \$1,000,000 per accident/per disease/per employee. If work is to be performed over water and involves maritime exposure, applicable LHWCA, Jones Act, or other maritime law coverage shall be included. A.M. Best's insurance company rating requirement may be waived for workers compensation coverage only. The insurance shall cover any claim(s) for incident(s) made during the policy period.

2. Commercial General Liability

Commercial General Liability insurance, including Personal and Advertising Injury Liability and Products and Completed Operations, shall have a minimum limit per occurrence of \$1,000,000 and a minimum general annual aggregate of \$2,000,000. The Insurance Services Office (ISO) Commercial General Liability occurrence coverage form CG 00 01 (current form approved for use in Louisiana), or equivalent, is to be used in the policy. Claims-made form is unacceptable.

3. Automobile Liability

Automobile Liability Insurance shall have a minimum combined single limit per accident of \$1,000,000. ISO form number CA 00 01 (current form approved for use in Louisiana), or equivalent, is to be used in the policy. This insurance shall include third-party bodily injury and property damage liability for owned, hired and non-owned automobiles.

4. Professional Liability (Errors and Omissions)

Professional Liability (Error & Omissions) insurance, which covers the professional errors, acts, or omissions of the Contractor, shall have a minimum limit of \$1,000,000 per claim. Claims-made coverage is acceptable. The date of the inception of the policy must be no later than the first date of the anticipated work under this contract. It shall provide coverage for the duration of this contract and shall have an expiration date no earlier than 30 days after the anticipated completion of the contract. The policy shall provide an extended reporting period of at least 24 months, with full reinstatement of limits, from the expiration date of the policy, if policy is not renewed.

5. Cyber Liability

Cyber liability insurance, including first-party costs, due to an electronic breach that compromises the State's confidential data shall have a minimum limit per occurrence of \$1,000,000. Claims-made coverage is acceptable. The date of the inception on the policy must be no later than the first date of the anticipated work under this contract. It shall provide coverage for the duration on this contract and shall have an expiration date no earlier than 30 days after the anticipated completion of the contract. The policy shall provide an extended reporting period of not less than 24 months from the expiration date of the policy, if the policy is not renewed. The policy shall not be cancelled for any reason, except non-payment of premium.

B. DEDUCTIBLES AND SELF-INSURED RETENTIONS

Any deductibles or self-insured retentions must be declared to and accepted by the Agency. The Contractor shall be responsible for all deductibles and self-insured retentions.

C. OTHER INSURANCE PROVISIONS

The policies are to contain, or be endorsed to contain, the following provisions:

1. Commercial General Liability and Automobile Liability Coverages
 - a. The Agency, its officers, agents, employees and volunteers shall be named as an additional insured as regards negligence by the contractor. ISO Forms CG 20 10 (for ongoing work) AND CG 20 37 (for completed work) (current forms approved for use in Louisiana), or equivalents, are to be used when applicable. The coverage shall contain no special limitations on the scope of protection afforded to the Agency.
 - b. The Contractor's insurance shall be primary as respects the Agency, its officers, agents, employees and volunteers for any and all losses that occur under the contract. Any insurance or self-insurance maintained by the Agency shall be excess and non-contributory of the Contractor's insurance.
2. Workers Compensation and Employers Liability Coverage

To the fullest extent allowed by law, the insurer shall agree to waive all rights of subrogation against the Agency, its officers, agents, employees and volunteers for losses arising from work performed by the Contractor for the Agency.

3. All Coverages
 - a. All policies must be endorsed to require 30 days written notice of cancellation to the Agency. Ten-day written notice of cancellation is acceptable for non-payment of premium. Notifications shall comply with the standard cancellation provisions in the Contractor's policy. In addition, Contractor is required to notify Agency of policy cancellations or reductions in limits.
 - b. The acceptance of the completed work, payment, failure of the Agency to require proof of compliance, or Agency's acceptance of a non-compliant certificate of insurance shall not release the Contractor from the obligations of the insurance requirements or indemnification agreement.
 - c. The insurance companies issuing the policies shall have no recourse against the Agency for payment of premiums or for assessments under any form of the policies.
 - d. Any failure of the Contractor to comply with reporting provisions of the policy shall not affect coverage provided to the Agency, its officers, agents, employees and volunteers.

D. ACCEPTABILITY OF INSURERS

1. All required insurance shall be provided by a company or companies lawfully authorized to do business in the jurisdiction in which the Project is located. Insurance shall be placed with insurers with an A.M. Best's rating of **A-:VI or higher**. This rating requirement may be waived for workers compensation coverage only.
2. If at any time an insurer issuing any such policy does not meet the minimum A.M. Best rating, the Contractor shall obtain a policy with an insurer that meets the A.M. Best rating and shall submit another Certificate of Insurance within 30 days.

E. VERIFICATION OF COVERAGE

1. Contractor shall furnish the Agency with Certificates of Insurance reflecting proof of required coverage. The Certificates for each insurance policy are to be signed by a person authorized by that insurer to bind coverage on its behalf. The Certificates are to be received and approved by the Agency before work commences and upon any contract renewal or insurance policy renewal thereafter.

2. The Certificate Holder Shall be listed as follows:

Grambling State University
Agency Name, Its Officers, Agents, Employees and Volunteers
Address, City, State, Zip
Project or Contract #:

3. In addition to the Certificates, Contractor shall submit the declarations page and the cancellation provision for each insurance policy. The Agency reserves the right to request complete certified copies of all required insurance policies at any time.

4. Upon failure of the Contractor to furnish, deliver and maintain required insurance, this contract, at the election of the Agency, may be suspended, discontinued or terminated. Failure of the Contractor to purchase and/or maintain any required insurance shall not relieve the Contractor from any liability or indemnification under the contract.

F. SUBCONTRACTORS

Contractor shall include all subcontractors as insureds under its policies OR shall be responsible for verifying and maintaining the Certificates provided by each subcontractor. Subcontractors shall be subject to all of the requirements stated herein. The Agency reserves the right to request copies of subcontractor's Certificates at any time. Failure of contractor to comply with this clause does not waive the contractor responsibility to indemnify or defend Agency due to subcontractor's failure to acquire proper insurance.

G. WORKERS COMPENSATION INDEMNITY

In the event Contractor is not required to provide or elects not to provide workers compensation coverage, the parties hereby agree that Contractor, its owners, agents and employees will have no cause of action against, and will not assert a claim against, the State of Louisiana, its departments, agencies, agents and employees as an employer, whether pursuant to the Louisiana Workers Compensation Act or otherwise, under any circumstance. The parties also hereby agree that the State of Louisiana, its departments, agencies, agents and employees shall in no circumstance be, or considered as, the employer or statutory employer of Contractor, its owners, agents and employees. The parties further agree that Contractor is a wholly independent contractor and is exclusively responsible for its employees, owners, and agents. Contractor hereby agrees to protect, defend, indemnify and hold the State of Louisiana, its departments, agencies, agents and employees harmless from any such assertion or claim that may arise from the performance of this contract.

H. INDEMNIFICATION/HOLD HARMLESS AGREEMENT

1. Contractor/Subcontractor/Other responsible party agrees to protect, defend, indemnify, save, and hold harmless, the State of Louisiana, all State Departments, Agencies, Boards and Commissions, its officers, agents, servants, employees, and volunteers, from and against any and all claims, damages, expenses, and liability arising out of injury or death to any person or the damage, loss or destruction of any property which may occur, or in any way grow out of, any act or omission of Contractor, its agents, servants, and employees, or any and all costs, expenses and/or attorney fees incurred by Contractor as a result of any claims, demands, suits or causes of action, except those claims, demands, suits, or causes of action arising out of the negligence of the State of Louisiana, all State Departments, Agencies, Boards, Commissions, its officers, agents, servants, employees and volunteers.

2. Contractor agrees to investigate, handle, respond to, provide defense for and defend any such claims, demands, suits, or causes of action at its sole expense and agrees to bear all other costs and expenses related thereto, even if

Contractor shall refer to full set of Contract Documents for full Scope of Work for the project.

RECOMMENDED PRE-BID SITE VISIT

Site visits are recommended for all potential Bidders. Visits may be scheduled by contacting Damien Hancher or via email to chatmand@gram.edu and/or Raymond Nelson or via email to nelo@gram.edu

Each Bidder is solely responsible for a prudent and complete personal inspection, examination and assessment of the facilities and any other existing condition, factor, or item that may affect or impact the performance of service described and required by the Contractual Requirements.

Bidders are strongly encouraged to advise the University, prior to the scheduled tour of the facilities, of any special accommodations for disabled personnel who will be attending the tour(s) so that these accommodations can be made.

SUBMISSION FOR APPROVAL OF "OR EQUAL" PRODUCTS

Procurement Substitution Request must be made in writing in compliance with the following requirements:

- a Requests for substitution of materials and equipment will be considered if received no later than 7 business days prior to date of bid opening.
- b Submittal Format: Submit 1 copy of each written Procurement Substitution Request, using CSI Substitution Request Form 1.5C.
- c Procurement Substitution Request may be submitted via email in PDF format or mailed. Faxed requests will not be accepted.
 - i Contact: Grambling State University Purchasing Office
 - ii Phone: 318.274.3280
 - iii Mailing Address: purchasingbids@gram.edu

7 QUESTIONS / REQUESTS FOR CLARIFICATION

All questions and requests for clarification shall be submitted in writing to the GSU purchasing office at least seven (7) days prior to the bid date. If necessary, GSU will issue an addendum to provide answers and clarifications.

8 AREA OF WORK – Safety and Protection

The contractor shall post warning signs and barriers as necessary to ensure that students, faculty, staff, and the general public avoid the work area. The contractor may store materials on site provided the materials are stored in a location and manner that does not interfere with the University and does not damage existing facilities (grounds, grass, sidewalks, parking lots, etc.)

The contractor should coordinate with University personnel to approve the laydown / material storage areas at the pre-construction meeting and before any material are delivered.

This building will remain open and the business will maintain normal operations. The contractor needs to ensure that the safety of the students, faculty, staff, and general public remain the first priority during this job. The contractor shall in no way impede the day-to-day operations of the business.

CONSTRUCTION SCHEDULE / OUTAGES

The University should be given a notice of two weeks before any outages are scheduled should there need to be any.

10. LIQUIDATED DAMAGES

The University will assess liquidated damages to the contractor for failure to comply with the schedule of the work. Liquidated damages shall be assessed at the rate of \$250.00 per day for each additional day required to fully complete the scope of work. The contractor shall fully complete all work in the base bid within 84 days of notice to proceed, in accordance with the project specifications in the Summary of Work paragraph, from the receipt of a purchase order from GSU.

11. DAMAGES TO FACILITIES

Contractor shall be responsible for all damages to the existing site, facilities, furniture, and equipment that are caused by this project. The contractor shall carefully document existing site conditions and existing damages prior to commencing work. The contractor shall repair all damage to its original, undamaged condition prior to completing this project.

12. COMPLIANCE AND SAFETY REQUIREMENTS

Contractor shall be required to adhere to all University safety and health policies. Contractor shall fully comply with all applicable laws, rules, regulations, permits, etc. This includes but is not limited to the following: the contractor must use an OSHA approved lockout / tag out program that meets or exceeds the University's policy, the contractor shall properly label all chemical containers used during the project, the contractor shall have a material safety data sheet (MSDS) for each product used during the project, etc. All employees shall wear fall protection equipment as required when working at elevated levels. All employees will not be allowed to use tobacco products on the project site. Contractor, subcontractors, material suppliers and all employees must be properly trained and fully comply with occupational safety and health regulations. Any accidents, incidents, near misses, etc. will be reported to the University project coordinator immediately and the University may investigate these events. The University reserves the right to require the contractor to remove any employee from the project if the employee is observed violating safety rules, regulations, policies, etc.

13. PROFESSIONAL CONDUCT

The contractor, sub-contractors, material suppliers, and all workers associated with the project shall conduct themselves in a professional manner at all times. All employees shall wear identification that clearly identifies them as a contract employee. This could be a uniform shirt or name badge. Shirts shall be neatly tucked into trousers. Contractors shall not be allowed to wear sleeveless shirts, tank tops, etc. No profanity will be allowed for any reason. The University reserves the right to require the contractor to remove any employee from the job immediately for failure to comply with these requirements and / or for failure to comply with University policies and procedures, and all other applicable laws, rules, and requirements.

14. USE OF UNIVERSITY FACILITIES

The contractor, sub-contractors, material suppliers, and all workers associated with the project shall not use University facilities such as restrooms, break rooms, vending machines, etc. The contractor shall

supply a portable restroom for their employees to use.

15. USE OF TOBACCO PRODUCTS

Tobacco use will only be allowed in personal vehicles. See GSU's tobacco use policy for detailed information at <http://www.GSU.edu/tobaccouse/>

16. DISPOSAL

Contractor shall dispose of all construction debris, trash, and other materials in compliance with all applicable laws, rules, regulations, permit.