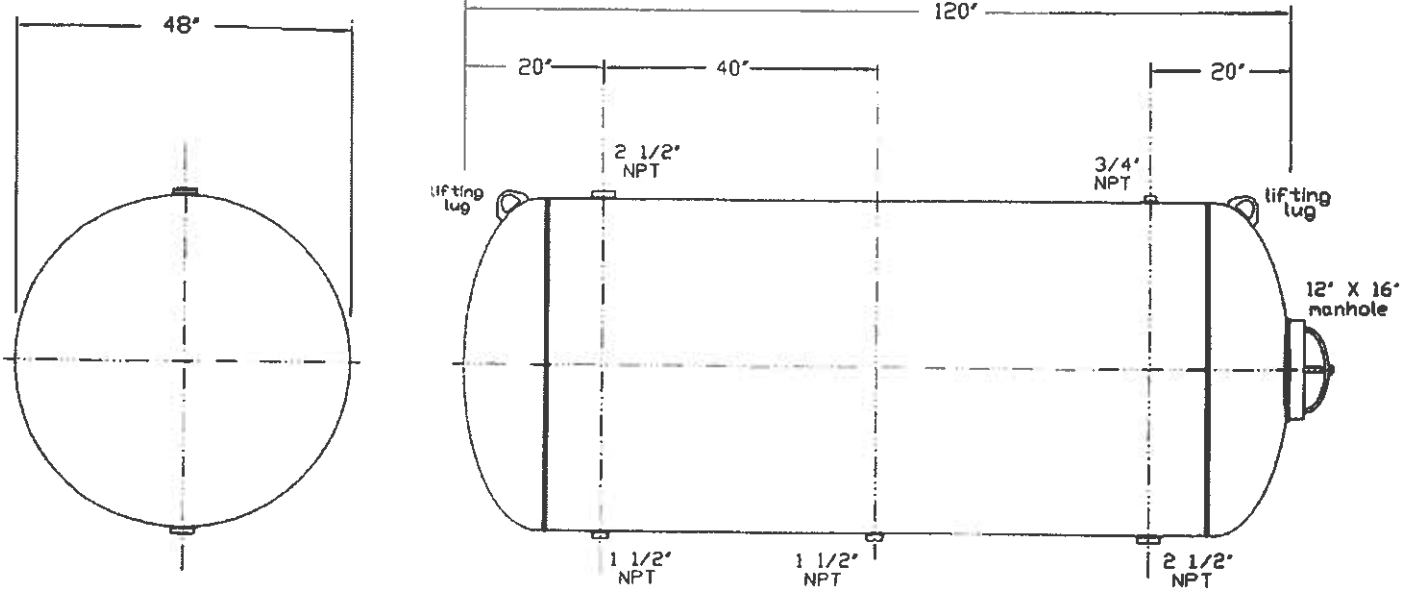
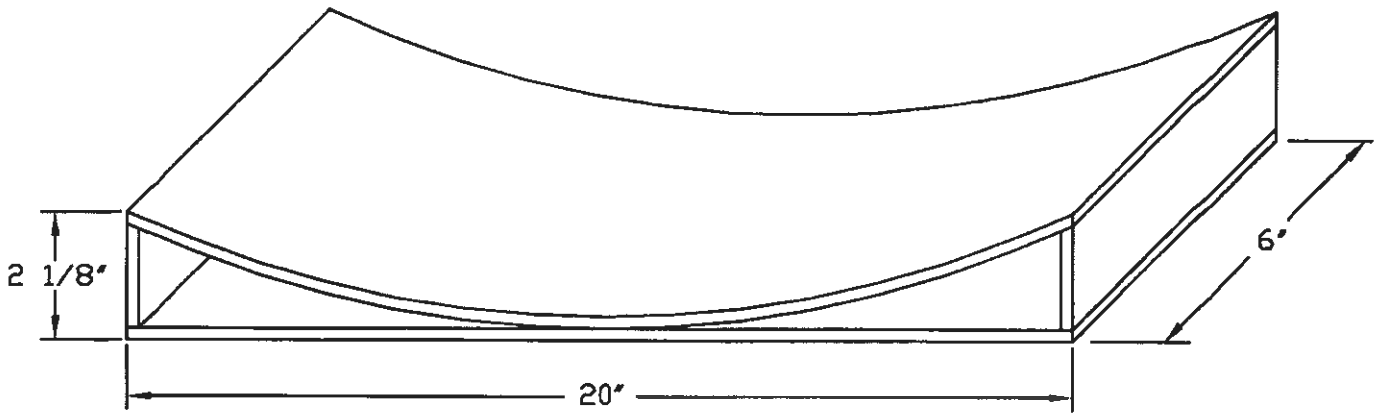


Attachment D - Drawings
RFx #3000020933



| | | | |
|------|--|--|---|
| Job: | | Agent: Hydronic & Steam | |
| | | CN#: tanks\48 diameter\horizontal\48x120 | |
| | | Exterior: Red Oxide | MANUFACTURED IN ACCORDANCE WITH THE ASME CODE BY CERTIFIED WELDERS. QUALITY AND THICKNESS TO CONFORM WITH THE ASME CODE. TANK FURNISHED WITH ASME CODE CERTIFICATE AND NATIONAL BOARD REGISTRATION. |
| | | Couplings: Stainless steel | |
| | | Working pressure: 125 psi | |
| | | Test pressure: 162.5 psi | |

Saddle drawing for 48" diameter horizontal tanks
01-030-730



6" X 1/4"
steel bar

