

Questions and Answers

Q1. Currently the chemical scrubber for the odor control at the dewatering building at SWWTF is out of service. Is it in the City's plan to put it back into service before the contract starts?

A1. The current plans are to abandon units in place when screw press project is complete.

Q2. Could the City provide the peak hour flows data for the past three years for both plants?

A2. The requested document is included in this addendum as Attachment 6A. The data provided is the maximum flow value recorded at each of the influent locations listed. These maximum flow values were not necessarily recorded at the same time. They are just individual readings at each location.

Q3. Could the City clarify the location of No-treated overflow events for April, May, September 2021 and May 2022 at SWWTF and for July and August 2021 at NWWTF?

A3. The overflow events in April, May, and September 2021 at SWWTF occurred at the Equalization Storage Tanks. The overflow event in May 2022 at SWWTF occurred at the Preliminary Treatment Facility. The overflow events in July and August of 2021 at the NWWTF occurred at the Force Main Headworks.

Q4. Please provide a copy of the Wet Weather Plans for both NWWTF and SWWTF.

A4. There is no plan for the NWWTF. The requested document for the SWWTF is included in this addendum as Attachment 6B.

Q5. Does the CoBR have an Odor Control Contract with a current Vendor? If so, please indicate the Vendor Name.

A5. Yes there is a contract in place with Applied Environmental Solutions, LLC. Contacts for the company are below.

Daniel Hebert dhebert@appliedenvironmentalsolutions.com

Bob Templet btemplet@appliedenvironmentalsolutions.com

Q6. What Office Space, Buildings are available for the Vendor – NWWTP?

A6. There will be City-Parish personnel in the lab in the administration building. Otherwise, all buildings including the trailer are available to the contract operator.

Q7. What Office Space, Buildings are available for the Vendor – SWWTP?

A7. All buildings except for the administrative/lab building are available to the contract operator.

Operations and Maintenance Services for the Wastewater Treatment Facilities

Addendum No. 6

September 16, 2022

- Q8.** The Sample Draft Professional Services Agreement, Article I, states the contract will end Dec 31, 2032 but Article II defines "Term" to begin on the Commencement Date and end ten years after the Commencement Date. Will you confirm the term is a full ten years following a Commencement Date? Is the transition period, anticipated to be January 1, 2023 through March 31, 2032, included within the ten year term?

A8. Article II defines "Term" as "the period of time beginning on the Commencement Date and ending ten (10) fiscal years after the Commencement Date". The transition period will be included but either way the first ten year term of the contract will end on December 31, 2032.

- Q9.** Biosolids are defined to include sludge and any other process materials as a result of the influent. Please confirm this also includes grit and screenings.

A9. Grit and screenings are captured in dumpsters supplied by the City-Parish solid waste collection contractor. Dumpsters are also provided through that contract for garbage and recycling services for various buildings at each site. This service will be the responsibility of the contract operator.

- Q10.** In the RFP, it is stated that some sections of the Sample Draft Professional Services Agreement will be non-negotiable, can you please clarify any specific elements of those provisions that are non-negotiable?

A10. Articles VI, VII, IX, X, XII, XIII, XV, XVI, XVII, XVIII, XIX, XX and XXI of the agreement are non-negotiable. The limits specified in Article VIII are non-negotiable. Article VIII is somewhat negotiable otherwise. It is company specific where different types of policies that cover the same risk or there may be other issues we can consider.

Request for Proposal No. 20008-A22-10

Operations and Maintenance Services for the Wastewater Treatment Facilities

Addendum No. 6

September 16, 2022

Attachment 6A

NWWTP MAXIMUM DAILY FLOW- MGD

Date	Gravity Influent		Force Main Influent	
	FIT_10_1507A	FIT_10_1507B	FIT_10_1510A	FIT_10_1510B
1/1/2020	1.4	1.4	23.0	21.8
1/2/2020	41.5	41.5	51.3	46.2
1/3/2020	12.0	12.3	48.4	43.4
1/4/2020	3.8	4.1	40.5	36.4
1/5/2020	2.0	1.9	24.2	22.8
1/6/2020	1.6	1.6	27.8	26.6
1/7/2020	1.5	1.5	24.7	23.0
1/8/2020	1.5	1.4	23.8	22.5
1/9/2020	1.4	1.4	21.3	20.6
1/10/2020	1.4	1.3	23.9	23.2
1/11/2020	12.2	11.9	48.2	43.5
1/12/2020	2.3	2.4	27.8	26.8
1/13/2020	5.3	5.3	39.5	35.7
1/14/2020	2.4	2.4	30.2	28.0
1/15/2020	1.7	1.6	33.8	32.1
1/16/2020	2.0	2.1	27.0	25.2
1/17/2020	1.6	1.7	25.2	24.1
1/18/2020	5.7	5.7	28.2	26.6
1/19/2020	4.5	4.5	33.4	30.6
1/20/2020	1.9	1.8	25.8	25.0
1/21/2020	1.8	1.7	24.9	23.7
1/22/2020	1.6	1.7	26.0	24.5
1/23/2020	4.0	4.1	30.6	28.7
1/24/2020	1.9	2.0	26.2	25.8
1/25/2020	1.6	1.7	26.1	26.4
1/26/2020	5.9	5.9	49.1	46.7
1/27/2020	2.5	2.7	28.1	28.3
1/28/2020	1.7	1.8	24.0	24.6
1/29/2020	3.8	3.8	54.8	33.0
1/30/2020	1.9	1.9	27.4	26.9
1/31/2020	1.8	1.8	32.8	31.7
2/1/2020	1.8	1.6	24.2	24.9
2/2/2020	1.6	1.5	25.7	25.6
2/3/2020	1.4	1.5	26.9	27.4
2/4/2020	1.5	1.5	26.3	26.3
2/5/2020	41.5	41.5	54.8	54.7
2/6/2020	41.5	41.5	51.9	48.6
2/7/2020	3.6	3.4	33.7	32.4
2/8/2020	2.0	1.9	27.8	27.8
2/9/2020	2.1	2.2	24.7	24.9
2/10/2020	5.4	5.3	38.2	36.1
2/11/2020	3.3	3.1	28.6	28.4
2/12/2020	2.9	3.1	31.1	30.3
2/13/2020	13.0	13.0	49.3	46.2
2/14/2020	2.4	2.3	31.8	31.3
2/15/2020	1.8	1.7	29.0	28.5
2/16/2020	41.5	41.5	48.0	44.7
2/17/2020	41.5	41.5	35.4	34.1
2/18/2020	1.9	1.9	29.4	29.1
2/19/2020	3.7	3.8	28.7	28.5
2/20/2020	41.5	41.5	50.8	47.1
2/21/2020	4.2	4.2	42.9	40.6
2/22/2020	2.2	2.1	27.4	27.2
2/23/2020	1.9	1.9	21.1	21.9
2/24/2020	3.2	3.4	31.1	30.2
2/25/2020	2.3	2.5	38.4	36.5

Date	Gravity Influent		Force Main Influent	
	FIT_10_1507A	FIT_10_1507B	FIT_10_1510A	FIT_10_1510B
2/26/2020	1.8	1.7	25.9	25.8
2/27/2020	1.8	1.7	23.5	24.1
2/28/2020	1.6	1.5	23.2	23.3
2/29/2020	1.5	1.5	20.5	21.5
3/1/2020	1.4	1.5	22.3	22.8
3/2/2020	1.4	1.4	21.6	21.8
3/3/2020	1.4	1.4	21.3	21.8
3/4/2020	2.6	2.6	33.9	32.5
3/5/2020	1.8	1.7	27.8	27.4
3/6/2020	1.4	1.3	20.1	21.2
3/7/2020	1.4	1.4	19.3	20.4
3/8/2020	1.5	1.4	21.1	21.8
3/9/2020	1.4	1.4	22.7	23.5
3/10/2020	1.6	1.7	24.0	24.6
3/11/2020	1.5	1.6	21.9	22.4
3/12/2020	1.4	1.4	21.6	22.3
3/13/2020	1.3	1.4	20.0	20.6
3/14/2020	1.3	1.2	21.0	22.1
3/15/2020	1.3	1.3	21.0	21.3
3/16/2020	1.4	1.3	22.1	23.2
3/17/2020	9.2	9.6	46.6	43.1
3/18/2020	2.1	2.0	32.2	31.4
3/19/2020	18.0	18.2	23.1	23.3
3/20/2020	3.5	3.4	42.9	41.3
3/21/2020	3.3	3.5	39.8	38.0
3/22/2020	1.4	1.4	24.3	25.3
3/23/2020	1.4	1.4	23.4	24.5
3/24/2020	1.6	1.5	41.5	22.9
3/25/2020	1.5	1.5	44.2	2.2
3/26/2020	1.7	1.7	46.0	0.0
3/27/2020	1.7	1.7	45.4	0.0
3/28/2020	1.7	1.6	44.2	0.0
3/29/2020	1.4	1.4	43.4	0.0
3/30/2020	1.5	1.6	47.6	0.0
3/31/2020	1.6	1.5	46.9	0.0
4/1/2020	1.3	2.1	44.9	0.0
4/2/2020	0.7	1.3	43.3	0.0
4/3/2020	0.7	1.2	46.1	0.0
4/4/2020	0.8	1.4	46.7	0.0
4/5/2020	0.7	1.3	43.1	0.0
4/6/2020	0.7	1.2	42.8	0.0
4/7/2020	0.8	1.3	44.5	0.0
4/8/2020	0.9	1.5	43.7	0.0
4/9/2020	2.8	3.7	51.7	0.0
4/10/2020	2.4	3.2	42.6	0.0
4/11/2020	0.8	1.4	54.8	0.0
4/12/2020	7.0	8.1	54.8	0.0
4/13/2020	2.1	2.8	43.7	0.0
4/14/2020	0.7	1.2	37.9	0.0
4/15/2020	1.3	1.9	39.7	0.0
4/16/2020	0.6	1.1	51.5	0.0
4/17/2020	0.7	1.2	38.5	0.0
4/18/2020	0.7	1.3	38.8	0.0
4/19/2020	5.2	6.2	50.1	0.0
4/20/2020	3.3	4.1	37.6	0.0
4/21/2020	0.9	1.4	39.6	0.0
4/22/2020	1.0	1.6	38.0	0.0
4/23/2020	41.5	41.5	54.8	39.9

Date	Gravity Influent		Force Main Influent	
	FIT_10_1507A	FIT_10_1507B	FIT_10_1510A	FIT_10_1510B
4/24/2020	1.1	1.9	41.3	0.0
4/25/2020	1.0	1.6	44.3	0.0
4/26/2020	0.8	1.4	45.3	0.0
4/27/2020	0.7	1.3	43.1	0.0
4/28/2020	41.5	41.5	54.8	3.1
4/29/2020	41.5	41.5	46.8	2.9
4/30/2020	2.3	3.0	52.2	3.4
5/1/2020	1.2	1.8	54.8	3.0
5/2/2020	0.9	1.5	49.6	3.1
5/3/2020	0.9	1.5	39.3	3.1
5/4/2020	1.1	1.7	44.6	40.2
5/5/2020	1.0	1.5	34.4	3.0
5/6/2020	0.9	1.6	39.5	3.1
5/7/2020	1.0	1.5	37.9	3.2
5/8/2020	41.5	41.5	54.8	7.2
5/9/2020	6.0	7.2	41.8	3.2
5/10/2020	1.8	2.6	42.0	3.1
5/11/2020	0.9	1.5	40.4	0.0
5/12/2020	0.8	1.8	46.8	0.0
5/13/2020	0.9	1.5	41.7	0.0
5/14/2020	9.0	10.2	54.8	0.0
5/15/2020	6.0	7.2	54.8	0.0
5/16/2020	2.0	2.6	43.7	0.0
5/17/2020	1.2	1.9	39.5	0.0
5/18/2020	1.3	2.1	48.8	0.0
5/19/2020	1.2	1.9	36.3	0.0
5/20/2020	1.3	1.9	37.1	36.4
5/21/2020	1.0	1.6	2.2	39.6
5/22/2020	1.2	1.8	2.2	36.2
5/23/2020	1.2	1.9	1.9	49.8
5/24/2020	1.1	1.7	0.0	39.7
5/25/2020	4.0	4.8	0.0	54.8
5/26/2020	4.1	5.0	32.8	39.9
5/27/2020	1.3	2.1	20.0	22.7
5/28/2020	1.4	2.1	21.3	24.0
5/29/2020	1.1	1.8	54.8	37.5
5/30/2020	1.1	1.7	0.0	39.8
5/31/2020	1.1	1.7	0.0	38.7
6/1/2020	1.0	1.7	0.0	41.5
6/2/2020	1.0	1.6	0.0	44.1
6/3/2020	1.2	1.9	0.0	44.7
6/4/2020	1.1	1.7	0.0	46.5
6/5/2020	1.1	1.7	0.0	41.0
6/6/2020	1.7	2.3	0.0	45.8
6/7/2020	17.0	18.3	0.0	43.0
6/8/2020	16.7	18.0	39.1	41.1
6/9/2020	2.5	3.2	33.5	34.8
6/10/2020	2.7	3.4	28.7	30.6
6/11/2020	10.2	10.3	24.1	25.0
6/12/2020	1.1	1.6	24.4	26.4
6/13/2020	1.0	1.6	23.6	25.6
6/14/2020	1.2	1.7	22.4	24.6
6/15/2020	1.1	1.6	29.6	38.3
6/16/2020	1.2	1.7	22.5	43.9
6/17/2020	1.2	1.9	9.9	43.4
6/18/2020	1.0	1.7	0.0	42.1
6/19/2020	1.1	1.7	0.0	39.8
6/20/2020	1.2	1.8	0.0	44.8

Date	Gravity Influent		Force Main Influent	
	FIT_10_1507A	FIT_10_1507B	FIT_10_1510A	FIT_10_1510B
6/21/2020	1.2	1.7	0.0	44.0
6/22/2020	5.4	6.3	54.0	49.3
6/23/2020	6.1	7.1	44.4	45.8
6/24/2020	14.8	16.4	54.8	54.8
6/25/2020	6.6	7.6	48.7	49.7
6/26/2020	2.2	3.1	35.8	37.8
6/27/2020	1.0	1.6	27.4	29.6
6/28/2020	1.0	1.6	26.3	28.8
6/29/2020	1.1	1.5	24.2	26.5
6/30/2020	1.1	1.7	25.3	27.5
7/1/2020	1.2	1.8	25.7	28.0
7/2/2020	1.0	1.5	25.0	27.6
7/3/2020	0.8	1.3	23.9	26.4
7/4/2020	3.8	4.8	27.2	29.6
7/5/2020	18.5	19.8	54.8	54.8
7/6/2020	14.1	15.6	54.8	54.8
7/7/2020	12.0	13.6	51.5	52.4
7/8/2020	3.6	4.5	46.9	47.1
7/9/2020	1.1	1.7	34.8	36.7
7/10/2020	1.4	1.9	34.1	35.8
7/11/2020	1.3	1.8	26.6	28.4
7/12/2020	1.4	2.0	26.9	28.0
7/13/2020	1.2	1.8	25.8	27.7
7/14/2020	1.2	1.7	27.0	29.5
7/15/2020	1.2	1.7	27.2	29.8
7/16/2020	1.9	2.5	29.3	32.4
7/17/2020	1.0	1.7	24.8	27.6
7/18/2020	1.1	1.7	25.7	28.7
7/19/2020	1.0	1.6	24.5	27.4
7/20/2020	1.0	1.7	25.2	28.1
7/21/2020	1.4	2.0	25.0	27.5
7/22/2020	1.0	1.7	25.9	28.3
7/23/2020	1.0	1.7	25.6	28.2
7/24/2020	2.7	3.3	29.6	32.6
7/25/2020	1.5	2.4	21.5	24.3
7/26/2020	0.9	1.5	24.0	27.0
7/27/2020	12.3	13.6	54.8	54.8
7/28/2020	12.7	13.7	37.6	41.1
7/29/2020	3.1	3.7	23.3	28.8
7/30/2020	1.4	2.0	18.9	25.2
7/31/2020	1.4	1.9	30.0	32.6
8/1/2020	1.1	1.8	29.6	32.2
8/2/2020	1.1	1.7	25.4	28.5
8/3/2020	1.1	1.7	26.8	29.7
8/4/2020	1.1	1.7	25.7	29.2
8/5/2020	1.1	1.7	27.0	30.1
8/6/2020	1.0	1.8	27.3	30.1
8/7/2020	1.0	1.7	24.7	27.8
8/8/2020	1.1	1.6	22.4	26.1
8/9/2020	1.2	1.8	35.3	38.4
8/10/2020	1.2	1.9	26.8	29.4
8/11/2020	1.2	1.8	24.4	28.2
8/12/2020	1.2	1.8	24.4	27.5
8/13/2020	1.4	2.2	29.4	32.5
8/14/2020	1.1	1.9	23.4	26.6
8/15/2020	1.2	1.8	23.4	26.4
8/16/2020	1.1	1.8	22.0	25.1
8/17/2020	1.2	1.8	25.4	28.9

Date	Gravity Influent		Force Main Influent	
	FIT_10_1507A	FIT_10_1507B	FIT_10_1510A	FIT_10_1510B
8/18/2020	1.2	1.8	23.8	27.4
8/19/2020	1.3	1.8	22.7	26.0
8/20/2020	1.1	1.9	40.9	43.8
8/21/2020	1.1	1.6	33.2	36.3
8/22/2020	1.1	1.7	0.0	0.0
8/23/2020	1.1	1.7	0.0	0.0
8/24/2020	1.1	1.7	0.0	0.0
8/25/2020	1.5	2.1	0.0	0.1
8/26/2020	5.0	5.9	44.8	47.0
8/27/2020	41.5	41.5	54.8	54.8
8/28/2020	9.3	10.4	33.5	54.8
8/29/2020	1.6	2.3	4.3	28.7
8/30/2020	1.5	2.2	4.0	20.8
8/31/2020	7.3	8.3	4.9	49.9
9/1/2020	1.4	2.0	4.6	38.7
9/2/2020	1.3	1.9	27.0	38.4
9/3/2020	1.2	1.8	36.2	27.6
9/4/2020	1.1	1.7	26.1	29.6
9/5/2020	1.0	1.6	25.1	28.9
9/6/2020	0.9	1.4	24.8	28.7
9/7/2020	1.1	1.7	27.2	30.2
9/8/2020	1.1	1.7	25.1	28.6
9/9/2020	1.1	1.6	23.6	27.9
9/10/2020	1.0	1.5	25.1	27.8
9/11/2020	1.6	2.2	54.8	31.7
9/12/2020	1.9	2.5	0.0	33.1
9/13/2020	1.1	1.8	0.0	33.6
9/14/2020	1.1	1.7	0.0	32.5
9/15/2020	1.1	1.6	0.0	32.3
9/16/2020	1.5	2.0	0.0	30.3
9/17/2020	1.0	1.6	0.0	33.8
9/18/2020	0.9	1.5	16.7	29.9
9/19/2020	0.8	1.3	17.2	30.9
9/20/2020	1.0	1.6	18.7	32.1
9/21/2020	1.3	1.8	18.9	28.4
9/22/2020	1.0	1.5	16.6	19.9
9/23/2020	6.1	7.3	29.3	33.3
9/24/2020	2.0	2.8	21.2	25.6
9/25/2020	1.0	1.6	23.1	27.4
9/26/2020	1.2	1.6	17.7	23.3
9/27/2020	1.3	1.9	17.9	23.5
9/28/2020	1.1	1.5	17.7	23.3
9/29/2020	0.9	1.3	22.3	28.3
9/30/2020	0.8	1.4	18.1	21.2
10/1/2020	0.9	1.4	17.9	17.6
10/2/2020	0.8	1.3	18.4	18.7
10/3/2020	0.8	1.3	14.9	15.3
10/4/2020	0.8	1.3	17.9	18.0
10/5/2020	0.9	1.4	18.0	18.8
10/6/2020	0.9	1.4	15.9	54.8
10/7/2020	1.0	1.8	16.5	54.8
10/8/2020	21.6	22.8	54.7	49.7
10/9/2020	25.7	26.8	54.8	50.1
10/10/2020	10.5	11.3	52.1	47.9
10/11/2020	1.5	2.2	27.9	26.0
10/12/2020	1.3	2.0	26.9	25.2
10/13/2020	1.0	1.6	24.8	23.0
10/14/2020	1.4	2.1	19.0	18.1

Date	Gravity Influent		Force Main Influent	
	FIT_10_1507A	FIT_10_1507B	FIT_10_1510A	FIT_10_1510B
10/15/2020	1.0	1.6	18.5	17.2
10/16/2020	0.9	1.4	34.2	31.6
10/17/2020	1.0	1.4	22.1	20.8
10/18/2020	0.9	1.5	18.5	17.6
10/19/2020	0.9	1.4	20.3	18.8
10/20/2020	0.9	1.6	19.5	18.3
10/21/2020	1.0	1.5	20.2	18.1
10/22/2020	0.9	1.5	17.3	17.0
10/23/2020	2.9	3.7	27.4	25.9
10/24/2020	2.4	3.2	24.3	22.8
10/25/2020	1.1	1.5	20.0	19.0
10/26/2020	1.0	1.4	19.2	18.3
10/27/2020	0.9	1.5	20.9	19.4
10/28/2020	2.2	3.0	25.7	24.8
10/29/2020	41.5	41.5	31.4	33.8
10/30/2020	0.9	0.7	2.1	7.8
10/31/2020	0.9	0.7	0.0	9.5
11/1/2020	0.9	0.8	0.0	8.6
11/1/2020	1.0	0.7	15.5	16.3
11/2/2020	0.9	0.7	14.5	15.5
11/3/2020	0.9	0.7	14.6	15.3
11/4/2020	0.8	0.7	16.1	16.8
11/5/2020	0.8	0.6	13.5	14.5
11/6/2020	0.8	0.7	13.1	13.9
11/7/2020	0.8	0.6	16.1	17.0
11/8/2020	0.8	0.6	14.8	15.5
11/9/2020	0.8	0.6	15.4	16.2
11/10/2020	0.9	0.6	14.4	15.3
11/11/2020	0.7	0.6	16.2	16.3
11/12/2020	0.8	0.5	15.2	15.7
11/13/2020	0.9	0.6	13.8	14.7
11/14/2020	0.8	0.6	12.1	13.1
11/15/2020	1.0	0.6	13.3	14.7
11/16/2020	0.8	0.6	14.7	15.8
11/17/2020	1.0	0.8	12.6	14.0
11/18/2020	1.0	0.8	12.9	14.1
11/19/2020	0.7	0.6	13.3	14.4
11/20/2020	0.7	0.5	11.7	13.3
11/21/2020	0.8	0.5	12.3	13.8
11/22/2020	0.7	0.6	12.0	13.3
11/23/2020	1.4	0.6	11.7	12.9
11/24/2020	8.8	8.2	37.7	36.7
11/25/2020	2.4	2.1	23.5	23.6
11/26/2020	12.7	12.1	44.6	42.6
11/27/2020	7.2	6.8	30.5	29.9
11/28/2020	12.4	12.0	44.6	41.6
11/29/2020	2.3	2.1	21.3	22.2
11/30/2020	1.2	0.9	16.4	17.1
12/1/2020	1.2	0.9	16.4	17.1
12/2/2020	1.0	0.8	19.8	20.4
12/3/2020	4.7	4.4	30.6	30.0
12/4/2020	3.9	3.7	26.5	26.9
12/5/2020	1.0	0.7	15.8	16.7
12/6/2020	1.0	0.8	15.6	16.8
12/7/2020	1.0	0.8	14.4	15.5
12/8/2020	0.9	0.7	16.3	17.2
12/9/2020	0.8	0.7	15.3	16.5
12/10/2020	0.8	0.6	15.3	16.4

Date	Gravity Influent		Force Main Influent	
	FIT_10_1507A	FIT_10_1507B	FIT_10_1510A	FIT_10_1510B
12/11/2020	0.7	0.5	14.5	15.7
12/12/2020	1.9	1.7	19.0	19.5
12/13/2020	2.8	2.5	20.6	20.7
12/14/2020	2.4	2.3	16.5	17.2
12/15/2020	6.9	6.3	30.7	30.0
12/16/2020	10.4	9.6	38.8	37.5
12/17/2020	1.2	0.9	16.4	17.6
12/18/2020	1.9	1.6	17.0	17.8
12/19/2020	13.2	12.7	45.8	44.5
12/20/2020	9.8	9.1	46.3	44.9
12/21/2020	1.6	1.4	21.7	22.3
12/22/2020	1.5	1.4	17.3	17.7
12/23/2020	1.7	1.4	16.5	17.2
12/24/2020	10.7	10.5	48.9	45.3
12/25/2020	1.6	1.3	17.6	18.3
12/26/2020	4.7	4.4	16.5	16.7
12/27/2020	0.8	0.7	15.5	16.4
12/28/2020	0.7	0.6	22.2	22.6
12/29/2020	1.5	1.1	15.4	16.3
12/30/2020	0.7	0.6	16.1	17.0
12/31/2020	3.4	3.2	29.0	28.8
1/1/2021	3.3	3.2	26.9	27.3
1/2/2021	1.1	0.9	16.5	17.6
1/3/2021	1.0	0.8	15.4	16.1
1/4/2021	1.0	0.8	16.8	17.6
1/5/2021	1.0	0.9	15.0	15.7
1/6/2021	0.8	0.7	16.1	17.2
1/7/2021	14.0	13.7	45.2	43.6
1/8/2021	1.3	1.2	15.4	16.2
1/9/2021	1.1	1.0	14.6	16.0
1/10/2021	1.4	1.2	14.1	15.4
1/11/2021	13.7	13.5	40.8	38.5
1/12/2021	2.1	1.9	22.1	22.3
1/13/2021	1.3	1.0	17.7	17.9
1/14/2021	1.1	1.0	22.4	22.5
1/15/2021	1.0	0.9	21.2	21.5
1/16/2021	1.0	0.9	13.9	15.1
1/17/2021	0.9	0.8	13.9	14.9
1/18/2021	0.9	0.7	14.5	15.2
1/19/2021	0.9	0.7	13.1	14.3
1/20/2021	0.8	0.7	13.4	14.7
1/21/2021	0.8	0.7	12.5	13.7
1/22/2021	7.0	6.7	41.6	39.4
1/23/2021	1.4	1.3	17.9	18.5
1/24/2021	1.0	1.0	15.0	16.1
1/25/2021	1.0	0.8	15.0	15.8
1/26/2021	1.2	1.0	18.2	19.0
1/27/2021	1.2	1.0	16.1	16.9
1/28/2021	0.9	0.7	13.6	14.9
1/29/2021	1.6	1.3	13.3	13.8
1/30/2021	0.9	0.7	12.9	14.4
1/31/2021	1.0	0.9	14.2	15.2
2/1/2021	1.0	0.7	13.6	15.0
2/2/2021	1.5	1.3	13.3	14.7
2/3/2021	0.9	0.7	13.6	14.8
2/4/2021	0.8	0.6	13.6	14.6
2/5/2021	3.2	2.9	26.2	26.2
2/6/2021	4.1	3.7	29.1	28.3

Date	Gravity Influent		Force Main Influent	
	FIT_10_1507A	FIT_10_1507B	FIT_10_1510A	FIT_10_1510B
2/7/2021	1.6	1.4	16.2	17.3
2/8/2021	1.1	1.0	15.1	16.0
2/9/2021	0.9	0.8	13.1	14.1
2/10/2021	0.9	0.7	13.4	14.8
2/11/2021	17.0	16.5	49.0	46.8
2/12/2021	11.6	11.1	38.6	36.8
2/13/2021	2.3	2.0	22.3	22.9
2/14/2021	1.4	1.1	19.7	20.0
2/15/2021	6.2	5.9	27.6	27.4
2/16/2021	3.6	3.2	21.2	21.3
2/17/2021	13.6	13.0	42.1	41.3
2/18/2021	10.5	10.0	34.3	32.9
2/19/2021	2.7	2.5	24.5	24.2
2/20/2021	3.3	3.0	19.5	19.8
2/21/2021	1.5	1.2	16.9	17.8
2/22/2021	1.6	1.4	23.1	22.7
2/23/2021	1.0	0.8	21.5	21.5
2/24/2021	0.9	0.7	17.8	18.4
2/25/2021	1.5	1.3	14.7	15.6
2/26/2021	0.9	0.8	13.3	14.4
2/27/2021	0.9	0.7	15.8	16.5
2/28/2021	1.5	1.2	14.3	15.1
3/1/2021	1.4	1.2	15.5	16.3
3/2/2021	11.8	11.0	42.8	40.7
3/3/2021	2.3	2.0	43.8	19.9
3/4/2021	1.3	1.2	36.4	40.5
3/5/2021	3.2	3.0	13.8	14.4
3/6/2021	1.2	1.1	14.7	15.6
3/7/2021	1.1	1.0	14.6	15.5
3/8/2021	1.0	1.0	13.4	14.3
3/9/2021	1.5	1.3	14.7	15.5
3/10/2021	0.9	0.9	11.6	12.2
3/11/2021	0.9	0.7	13.2	14.2
3/12/2021	0.8	0.6	13.1	14.1
3/13/2021	0.8	0.7	15.6	16.2
3/14/2021	0.9	0.8	13.1	13.9
3/15/2021	1.6	1.3	14.0	14.8
3/16/2021	1.5	1.3	13.8	14.3
3/17/2021	4.5	4.2	33.8	32.6
3/18/2021	1.7	1.7	18.4	18.7
3/19/2021	1.0	0.9	14.6	15.6
3/20/2021	0.8	0.7	12.6	13.9
3/21/2021	1.6	1.4	14.7	15.1
3/22/2021	1.4	1.1	16.6	17.1
3/23/2021	19.4	18.7	48.1	45.2
3/24/2021	5.5	5.0	31.4	30.3
3/25/2021	9.3	8.7	35.7	34.4
3/26/2021	3.1	3.0	19.7	20.4
3/27/2021	1.2	1.0	16.5	17.2
3/28/2021	1.4	1.3	17.0	17.7
3/29/2021	1.1	1.0	18.9	19.4
3/30/2021	0.9	0.7	20.4	20.9
3/31/2021	1.0	1.1	19.9	28.9
4/1/2021	0.5	0.8	13.3	14.4
4/2/2021	0.5	0.7	14.8	15.7
4/3/2021	0.5	0.7	15.5	16.4
4/4/2021	0.5	0.7	15.2	15.7
4/5/2021	1.1	1.3	12.4	13.3

Date	Gravity Influent		Force Main Influent	
	FIT_10_1507A	FIT_10_1507B	FIT_10_1510A	FIT_10_1510B
4/6/2021	1.0	1.3	13.4	14.3
4/7/2021	0.4	0.6	16.3	16.7
4/8/2021	19.0	19.5	47.6	45.7
4/9/2021	1.2	1.5	21.4	21.8
4/10/2021	16.7	17.4	42.3	40.9
4/11/2021	1.5	1.9	17.6	18.0
4/12/2021	0.7	0.9	23.4	23.3
4/13/2021	17.8	18.7	49.5	47.0
4/14/2021	41.5	41.5	48.5	46.6
4/15/2021	41.5	41.5	43.9	42.9
4/16/2021	41.5	41.5	47.4	45.4
4/17/2021	41.5	41.5	44.6	41.9
4/18/2021	3.0	3.5	30.0	29.3
4/19/2021	1.7	2.1	26.7	26.3
4/20/2021	1.1	1.4	23.5	23.1
4/21/2021	0.8	1.2	17.6	18.2
4/22/2021	0.6	0.9	15.1	15.9
4/23/2021	14.2	14.6	36.7	34.1
4/24/2021	16.8	17.6	48.1	43.7
4/25/2021	1.2	1.7	18.0	18.2
4/26/2021	0.7	0.9	18.4	18.8
4/27/2021	0.5	0.8	20.3	20.4
4/28/2021	0.5	0.7	15.9	16.3
4/29/2021	0.7	0.9	20.0	20.4
4/30/2021	1.1	1.3	16.5	17.3
5/1/2021	0.54	0.81	16.41	16.89
5/2/2021	5.47	5.96	34.26	32.48
5/3/2021	0.98	1.34	24.38	24.33
5/4/2021	9.67	10.32	44.60	43.58
5/5/2021	4.55	5.03	38.33	36.32
5/6/2021	0.96	1.18	21.67	21.59
5/7/2021	0.43	0.71	18.96	19.42
5/8/2021	0.37	0.61	12.98	13.74
5/9/2021	0.38	0.64	16.89	17.53
5/10/2021	16.95	17.48	43.06	40.69
5/11/2021	15.14	15.50	46.68	44.83
5/12/2021	15.26	16.12	42.50	41.12
5/13/2021	1.82	2.27	27.75	27.54
5/14/2021	1.39	1.66	21.58	21.95
5/15/2021	0.73	1.02	22.79	22.92
5/16/2021	0.55	0.75	19.37	19.59
5/17/2021	27.83	27.57	53.87	50.43
5/18/2021	15.01	15.11	50.70	46.16
5/19/2021	1.79	2.25	25.18	24.23
5/20/2021	19.40	20.01	53.65	48.20
5/21/2021	8.13	8.84	40.66	39.01
5/22/2021	1.48	1.89	28.34	29.61
5/23/2021	0.76	0.98	16.74	18.29
5/24/2021	0.56	0.83	19.87	21.34
5/25/2021	0.51	0.71	16.57	17.84
5/26/2021	1.68	2.21	15.38	16.70
5/27/2021	1.31	0.88	14.29	15.36
5/28/2021	0.90	1.17	15.70	17.08
5/29/2021	0.47	0.63	20.85	21.63
5/30/2021	0.44	0.63	15.01	16.30
5/31/2021	0.39	0.60	13.62	15.28
6/1/2021	2.20	2.54	26.63	27.67
6/2/2021	0.70	0.91	17.62	18.57

Date	Gravity Influent		Force Main Influent	
	FIT_10_1507A	FIT_10_1507B	FIT_10_1510A	FIT_10_1510B
6/3/2021	12.01	11.67	35.53	36.56
6/4/2021	5.16	5.43	37.48	39.16
6/5/2021	2.65	2.92	23.87	24.52
6/6/2021	21.87	21.38	47.64	49.86
6/7/2021	5.42	5.77	38.31	39.42
6/8/2021	0.78	1.04	19.81	20.93
6/9/2021	0.48	0.68	16.91	17.62
6/10/2021	0.40	0.62	15.14	16.94
6/11/2021	0.51	0.67	15.32	16.53
6/12/2021	0.44	0.62	14.35	15.60
6/13/2021	8.64	8.84	39.97	40.83
6/14/2021	6.85	7.33	33.88	35.29
6/15/2021	3.70	4.13	25.25	25.54
6/16/2021	0.96	1.36	18.25	19.14
6/17/2021	0.34	0.60	13.40	14.91
6/18/2021	0.41	0.59	12.75	14.49
6/19/2021	0.54	0.69	14.34	16.64
6/20/2021	0.74	0.81	14.83	16.59
6/21/2021	2.78	3.37	54.55	21.54
6/22/2021	0.59	0.78	15.22	36.40
6/23/2021	0.95	1.28	16.26	17.59
6/24/2021	8.86	9.27	24.25	25.06
6/25/2021	6.98	7.43	16.68	17.97
6/26/2021	0.73	0.95	16.00	17.93
6/27/2021	0.61	0.92	16.89	18.64
6/28/2021	0.56	0.70	14.89	16.46
6/29/2021	0.49	0.69	15.06	16.70
6/30/2021	0.64	0.97	13.59	15.06
7/1/2021	0.40	0.56	14.02	15.62
7/2/2021	0.51	0.68	15.96	17.34
7/3/2021	3.61	4.17	41.03	41.76
7/4/2021	1.03	1.25	22.82	23.27
7/5/2021	0.41	0.63	14.92	16.49
7/6/2021	4.76	5.26	29.48	30.42
7/7/2021	0.63	0.91	15.88	17.51
7/8/2021	0.39	0.59	25.91	27.82
7/9/2021	0.29	0.53	15.28	16.12
7/10/2021	0.44	0.63	14.19	16.06
7/11/2021	31.60	30.95	47.13	48.39
7/12/2021	13.86	14.89	37.86	38.62
7/13/2021	13.98	14.12	35.37	36.34
7/14/2021	0.78	1.01	16.18	17.32
7/15/2021	7.03	7.31	23.59	24.02
7/16/2021	11.20	11.78	40.97	42.60
7/17/2021	4.56	5.10	24.89	25.26
7/18/2021	0.57	0.83	22.26	23.05
7/19/2021	3.00	3.37	21.93	22.65
7/20/2021	5.82	6.22	29.86	31.12
7/21/2021	1.83	2.32	19.99	21.90
7/22/2021	0.59	0.76	16.18	17.49
7/23/2021	0.63	0.78	13.56	14.91
7/24/2021	0.62	0.83	14.68	16.29
7/25/2021	0.60	0.85	14.09	15.58
7/26/2021	0.57	0.79	12.94	14.68
7/27/2021	17.82	18.92	30.57	31.26
7/28/2021	11.83	12.27	22.98	23.35
7/29/2021	10.42	10.69	25.68	26.53
7/30/2021	4.72	4.94	14.97	16.11

Date	Gravity Influent		Force Main Influent	
	FIT_10_1507A	FIT_10_1507B	FIT_10_1510A	FIT_10_1510B
7/31/2021	12.40	12.84	28.86	29.99
8/1/2021	3.66	4.04	30.95	31.71
8/2/2021	3.77	4.08	40.04	42.51
8/3/2021	16.44	17.14	43.45	44.14
8/4/2021	4.59	5.15	24.31	24.61
8/5/2021	0.74	0.93	22.31	23.89
8/6/2021	0.59	0.76	17.72	19.45
8/7/2021	0.59	0.75	15.72	16.87
8/8/2021	0.74	0.87	14.63	15.68
8/9/2021	8.65	9.14	20.16	20.98
8/10/2021	4.86	5.11	15.51	16.51
8/11/2021	2.05	2.31	18.56	19.68
8/12/2021	2.16	2.56	14.86	16.17
8/13/2021	13.64	13.93	18.69	20.59
8/14/2021	1.89	2.21	13.86	15.43
8/15/2021	2.20	2.35	13.36	14.92
8/16/2021	0.73	0.97	13.29	15.19
8/17/2021	0.97	1.03	15.62	18.18
8/18/2021	0.51	0.70	15.08	16.64
8/19/2021	3.71	4.10	14.45	16.19
8/20/2021	0.82	0.99	12.92	14.59
8/21/2021	0.62	0.75	11.86	13.64
8/22/2021	0.68	0.77	12.04	13.79
8/23/2021	0.69	0.87	13.14	14.68
8/24/2021	3.12	3.54	16.97	18.55
8/25/2021	9.32	9.96	22.72	23.49
8/26/2021	1.36	1.51	14.07	15.39
8/27/2021	0.67	0.88	15.78	17.55
8/28/2021	0.74	1.03	13.74	15.34
8/29/2021	9.67	10.31	43.79	45.96
8/30/2021	9.78	10.45	41.82	43.28
8/31/2021	2.01	2.26	22.63	23.15
9/1/2021	0.84	1.00	19.77	20.68
9/2/2021	0.63	0.80	19.60	20.91
9/3/2021	0.55	0.73	15.77	17.42
9/4/2021	0.51	0.73	13.83	15.54
9/5/2021	0.78	0.94	12.84	14.16
9/6/2021	0.49	0.71	14.17	15.75
9/7/2021	0.54	0.75	14.65	15.92
9/8/2021	0.57	0.73	12.74	14.39
9/9/2021	0.44	0.69	12.13	13.66
9/10/2021	0.33	0.55	13.91	15.78
9/11/2021	0.30	0.63	12.19	13.77
9/12/2021	0.96	1.35	12.68	14.47
9/13/2021	3.59	3.95	18.02	19.26
9/14/2021	15.79	16.28	43.09	44.45
9/15/2021	16.64	17.40	42.06	43.06
9/16/2021	12.71	13.57	41.28	42.04
9/17/2021	1.49	1.68	26.57	26.72
9/18/2021	15.56	16.11	29.30	29.79
9/19/2021	2.52	2.89	23.56	23.92
9/20/2021	0.77	0.97	20.95	21.85
9/21/2021	0.66	0.77	14.64	15.69
9/22/2021	1.33	1.70	14.86	24.40
9/23/2021	0.56	0.83	12.51	14.20
9/24/2021	0.44	0.73	11.54	13.13
9/25/2021	0.50	0.71	13.09	14.55
9/26/2021	0.47	0.62	12.92	14.37

Date	Gravity Influent		Force Main Influent	
	FIT_10_1507A	FIT_10_1507B	FIT_10_1510A	FIT_10_1510B
9/27/2021	0.41	0.59	14.08	15.09
9/28/2021	1.75	2.09	32.93	31.37
9/29/2021	0.73	0.88	37.35	34.80
9/30/2021	6.21	6.76	48.34	45.20
10/1/2021	1.61	1.75	26.91	26.32
10/2/2021	2.75	3.15	33.92	31.96
10/3/2021	1.12	1.33	18.54	18.70
10/4/2021	0.61	0.76	14.94	15.42
10/5/2021	0.81	0.92	15.90	16.47
10/6/2021	0.50	0.73	13.78	14.72
10/7/2021	0.43	0.58	13.86	14.45
10/8/2021	0.40	0.61	13.94	14.85
10/9/2021	0.45	0.59	13.48	14.42
10/10/2021	0.45	0.59	12.86	14.02
10/11/2021	0.52	0.69	15.10	15.86
10/12/2021	0.43	0.59	14.15	14.77
10/13/2021	0.42	0.58	12.86	13.58
10/14/2021	0.53	0.72	13.20	13.90
10/15/2021	0.47	0.68	13.35	14.07
10/16/2021	0.37	0.56	12.34	13.15
10/17/2021	0.41	0.65	13.35	14.10
10/18/2021	0.42	0.67	12.94	13.87
10/19/2021	0.40	0.63	12.43	13.32
10/20/2021	0.41	0.70	13.48	14.21
10/21/2021	0.40	0.61	12.77	13.34
10/22/2021	0.37	0.56	13.10	13.24
10/23/2021	0.40	0.57	11.97	12.75
10/24/2021	0.60	0.96	16.34	17.11
10/25/2021	0.47	0.76	14.18	14.87
10/26/2021	0.43	0.61	11.38	12.19
10/27/2021	11.25	11.69	47.60	44.12
10/28/2021	1.82	2.20	20.27	20.10
10/29/2021	0.44	0.71	13.57	14.17
10/30/2021	0.57	0.72	12.20	13.21
10/31/2021	0.50	0.65	12.85	13.36
11/1/2021	0.44	0.56	14.01	14.99
11/2/2021	0.41	0.64	12.25	13.27
11/3/2021	0.47	0.57	13.86	14.80
11/4/2021	2.03	2.47	13.38	14.17
11/5/2021	5.55	5.78	12.76	13.20
11/6/2021	0.80	1.14	11.64	12.65
11/7/2021	0.50	0.56	12.05	13.03
11/7/2021	2.76	2.99	11.81	12.44
11/8/2021	1.30	1.52	12.18	12.95
11/9/2021	0.62	0.73	13.42	14.11
11/10/2021	0.47	0.69	13.63	14.17
11/11/2021	0.40	0.54	13.07	13.78
11/12/2021	0.52	0.63	11.69	12.83
11/13/2021	0.52	0.63	11.69	12.83
11/14/2021	0.52	0.66	11.86	12.69
11/15/2021	0.47	0.54	11.88	12.87
11/16/2021	0.36	0.51	19.02	18.83
11/17/2021	0.36	0.58	12.91	13.42
11/18/2021	0.40	0.52	13.12	13.88
11/19/2021	0.41	0.52	12.09	12.93
11/20/2021	0.37	0.56	12.66	13.59
11/21/2021	0.38	0.56	12.26	12.79
11/22/2021	1.91	2.26	18.60	19.39

Date	Gravity Influent		Force Main Influent	
	FIT_10_1507A	FIT_10_1507B	FIT_10_1510A	FIT_10_1510B
11/23/2021	0.47	0.55	13.43	14.27
11/24/2021	0.44	0.57	12.80	13.59
11/25/2021	0.46	0.58	12.09	12.74
11/26/2021	0.43	0.51	12.58	13.57
11/27/2021	0.46	0.60	11.88	12.63
11/28/2021	0.59	0.63	13.26	13.70
11/29/2021	0.44	0.55	12.79	13.48
11/30/2021	0.49	0.72	13.55	13.87
12/1/2021	0.57	0.66	13.03	13.74
12/2/2021	0.41	0.60	12.75	13.34
12/3/2021	1.43	1.64	14.16	14.93
12/4/2021	0.32	0.56	12.04	12.57
12/5/2021	3.86	4.51	12.99	13.33
12/6/2021	19.56	4.74	44.27	41.87
12/7/2021	5.02	0.00	27.75	26.91
12/8/2021	3.71	4.07	34.42	33.21
12/9/2021	0.61	0.88	15.80	16.11
12/10/2021	0.54	0.71	13.94	14.58
12/11/2021	0.46	0.69	16.47	17.05
12/12/2021	0.46	0.64	13.54	14.34
12/13/2021	0.44	0.63	13.20	14.08
12/14/2021	0.43	0.58	14.50	15.30
12/15/2021	0.44	0.67	14.88	15.58
12/16/2021	0.44	0.63	14.65	14.98
12/17/2021	0.33	0.57	12.56	13.11
12/18/2021	15.18	16.05	48.59	45.63
12/19/2021	6.70	6.93	40.35	35.50
12/20/2021	0.82	1.04	21.18	21.38
12/21/2021	0.66	0.83	14.10	14.72
12/22/2021	0.59	0.66	13.79	14.38
12/23/2021	1.08	1.27	13.44	13.93
12/24/2021	0.47	0.76	13.79	14.63
12/25/2021	0.44	0.66	13.57	14.21
12/26/2021	0.33	0.51	11.99	13.06
12/27/2021	0.26	0.43	13.54	14.28
12/28/2021	1.57	1.88	24.81	24.32
12/29/2021	0.77	0.99	19.31	19.53
12/30/2021	0.27	0.45	13.15	13.94
12/31/2021	0.32	0.41	13.43	14.17
1/1/2022	0.34	0.51	14.69	15.19
1/2/2022	0.36	0.59	14.30	15.20
1/3/2022	1.87	2.20	13.71	14.74
1/4/2022	1.09	1.48	15.42	16.37
1/5/2022	1.68	1.87	14.77	15.54
1/6/2022	1.50	1.88	13.15	14.22
1/7/2022	1.03	1.26	13.23	14.35
1/8/2022	1.30	1.55	13.82	14.68
1/9/2022	8.76	9.37	38.88	37.21
1/10/2022	3.12	3.66	27.91	27.33
1/11/2022	1.22	1.52	15.98	16.74
1/12/2022	1.56	1.83	14.87	15.63
1/13/2022	1.55	1.86	14.91	15.52
1/14/2022	1.49	1.71	12.94	13.79
1/15/2022	1.29	1.71	13.57	14.32
1/16/2022	1.10	1.37	14.62	16.03
1/17/2022	1.28	1.61	13.44	14.48
1/18/2022	1.37	1.71	13.89	14.67
1/19/2022	1.54	1.95	13.35	14.44

Date	Gravity Influent		Force Main Influent	
	FIT_10_1507A	FIT_10_1507B	FIT_10_1510A	FIT_10_1510B
1/20/2022	2.74	3.28	23.55	23.42
1/21/2022	0.72	1.02	14.91	15.57
1/22/2022	0.88	0.90	14.56	15.57
1/23/2022	1.09	1.30	13.75	14.66
1/24/2022	2.50	3.06	17.32	18.01
1/25/2022	8.35	8.59	43.43	42.21
1/26/2022	1.65	2.00	16.37	17.03
1/27/2022	1.64	2.02	15.61	16.02
1/28/2022	1.26	1.48	13.88	14.64
1/29/2022	1.25	1.37	14.00	14.74
1/30/2022	1.56	1.69	13.68	15.15
1/31/2022	1.74	2.22	13.25	14.57
2/1/2022	2.21	2.43	19.22	20.16
2/2/2022	1.64	1.97	14.20	14.92
2/3/2022	4.34	4.96	34.83	33.42
2/4/2022	4.48	4.95	36.30	34.79
2/5/2022	1.22	1.33	15.12	15.68
2/6/2022	1.55	1.71	15.63	16.32
2/7/2022	1.33	1.57	15.30	15.96
2/8/2022	1.40	1.64	17.34	17.65
2/9/2022	1.61	1.96	14.25	14.95
2/10/2022	1.56	1.85	15.24	15.84
2/11/2022	1.56	1.94	15.24	15.84
2/12/2022	1.54	1.76	13.81	14.61
2/13/2022	1.35	1.46	14.51	15.35
2/14/2022	1.29	1.51	14.76	15.69
2/15/2022	1.42	1.69	13.44	14.91
2/16/2022	1.71	2.06	13.90	15.23
2/17/2022	3.53	4.28	29.88	28.51
2/18/2022	2.28	2.54	14.95	15.54
2/19/2022	1.38	1.51	12.36	13.27
2/20/2022	1.62	1.76	12.77	13.61
2/21/2022	1.58	1.99	13.56	14.42
2/22/2022	1.49	1.81	14.08	14.96
2/23/2022	1.73	1.85	14.36	14.73
2/24/2022	1.50	1.74	13.63	15.24
2/25/2022	4.72	5.36	34.23	33.04
2/26/2022	1.49	1.76	14.31	14.93
2/27/2022	1.79	2.02	13.37	14.18
2/28/2022	1.53	1.67	13.87	14.69
3/1/2022	1.60	1.93	13.50	14.28
3/2/2022	1.56	1.87	15.29	15.95
3/3/2022	1.63	1.85	13.45	14.69
3/4/2022	1.62	1.88	13.21	14.02
3/5/2022	1.63	1.90	14.77	15.60
3/6/2022	1.46	1.74	14.83	15.85
3/7/2022	1.49	1.71	14.25	14.96
3/8/2022	1.46	1.78	14.18	15.55
3/9/2022	1.54	1.77	13.97	14.85
3/10/2022	1.52	1.83	13.01	13.98
3/11/2022	1.78	2.12	15.99	16.48
3/12/2022	1.10	1.37	12.99	13.85
3/13/2022	1.23	1.51	14.70	15.42
3/14/2022	1.40	1.78	13.88	14.66
3/15/2022	9.47	10.25	43.86	43.07
3/16/2022	1.85	2.19	22.71	22.52
3/17/2022	1.85	2.10	16.08	16.85
3/18/2022	2.28	2.85	15.56	16.19

Date	Gravity Influent		Force Main Influent	
	FIT_10_1507A	FIT_10_1507B	FIT_10_1510A	FIT_10_1510B
3/19/2022	1.75	2.16	13.14	14.04
3/20/2022	1.76	2.17	14.46	15.22
3/21/2022	1.65	2.00	14.28	15.14
3/22/2022	13.95	15.28	48.25	45.84
3/23/2022	5.25	6.06	29.31	27.72
3/24/2022	1.78	2.24	12.70	13.51
3/25/2022	1.68	2.17	11.74	12.57
3/26/2022	1.79	2.16	11.27	12.06
3/27/2022	1.65	2.13	11.39	12.87
3/28/2022	1.69	2.11	11.43	13.13
3/29/2022	1.65	1.92	15.10	15.59
3/30/2022	11.89	12.74	46.68	43.89
3/31/2022	4.59	5.40	32.26	31.04
4/1/2022	1.57	2.18	14.05	14.57
4/2/2022	1.56	1.98	13.15	14.12
4/3/2022	1.56	2.02	14.62	15.45
4/4/2022	1.61	1.97	13.33	14.11
4/5/2022	4.06	4.55	32.68	32.30
4/6/2022	1.83	2.17	14.72	15.28
4/7/2022	1.62	2.01	13.67	14.72
4/8/2022	1.59	1.93	12.75	13.76
4/9/2022	1.49	1.86	12.22	13.36
4/10/2022	1.59	1.89	13.40	14.23
4/11/2022	1.69	1.98	13.71	14.25
4/12/2022	3.60	4.23	28.72	28.30
4/13/2022	16.15	17.43	49.67	48.17
4/14/2022	15.39	16.67	49.88	48.05
4/15/2022	1.93	2.28	20.60	20.81
4/16/2022	1.47	1.85	13.38	14.24
4/17/2022	2.61	3.00	16.12	16.83
4/18/2022	2.97	3.47	16.77	17.42
4/19/2022	1.78	2.23	14.14	15.12
4/20/2022	1.50	1.92	15.00	15.51
4/21/2022	1.65	2.05	12.43	13.44
4/22/2022	1.58	1.86	13.21	14.09
4/23/2022	1.34	1.66	13.48	14.29
4/24/2022	1.40	1.68	16.83	17.53
4/25/2022	4.14	4.74	16.40	17.25
4/26/2022	1.69	2.35	13.82	14.68
4/27/2022	1.39	1.83	11.14	12.09
4/28/2022	1.45	1.91	12.33	13.20
4/29/2022	1.34	1.80	13.26	13.86
4/30/2022	1.34	1.72	13.20	13.91
5/1/2022	1.65	2.05	16.81	17.68
5/2/2022	1.20	1.53	12.88	13.98
5/3/2022	1.32	1.69	13.72	14.28
5/4/2022	1.30	1.71	13.57	14.62
5/5/2022	2.61	3.13	23.81	23.90
5/6/2022	4.70	5.24	36.23	34.64
5/7/2022	1.36	1.72	12.21	13.39
5/8/2022	1.15	1.51	13.65	14.80
5/9/2022	41.49	41.50	54.80	54.78
5/10/2022	1.17	1.58	13.05	14.97
5/11/2022	1.15	1.54	14.22	15.26
5/12/2022	1.07	1.48	13.89	15.43
5/13/2022	2.41	3.10	25.55	26.73
5/14/2022	2.15	2.70	17.28	19.00
5/15/2022	1.15	1.55	12.10	14.19

Date	Gravity Influent		Force Main Influent	
	FIT_10_1507A	FIT_10_1507B	FIT_10_1510A	FIT_10_1510B
5/16/2022	1.23	1.67	13.32	14.82
5/17/2022	1.23	1.60	13.87	14.73
5/18/2022	1.32	1.73	11.78	13.66
5/19/2022	1.25	1.60	13.10	14.87
5/20/2022	1.25	1.73	12.34	14.09
5/21/2022	1.33	1.70	22.62	23.96
5/22/2022	6.32	7.01	47.91	48.43
5/23/2022	6.71	7.54	44.40	44.37
5/24/2022	1.59	2.04	22.57	25.16
5/25/2022	2.10	2.59	29.49	32.40
5/26/2022	1.39	1.68	16.36	17.88
5/27/2022	1.27	1.73	12.92	14.64
5/28/2022	1.16	1.64	13.50	14.89
5/29/2022	1.29	1.64	12.49	13.48
5/30/2022	1.10	1.51	15.06	16.39
5/31/2022	1.16	1.57	15.29	17.49
6/1/2022	1.42	1.70	15.66	17.60
6/2/2022	1.23	1.64	13.18	14.91
6/3/2022	1.27	1.58	13.66	15.23
6/4/2022	1.29	1.66	12.94	14.77
6/5/2022	1.07	1.49	12.85	14.45
6/6/2022	1.60	1.98	12.40	14.17
6/7/2022	1.18	1.49	13.47	15.30
6/8/2022	1.11	1.44	13.11	14.11
6/9/2022	1.89	2.32	12.56	14.30
6/10/2022	1.48	1.93	14.02	15.98
6/11/2022	1.59	1.83	12.69	14.02
6/12/2022	1.25	1.75	12.72	14.28
6/13/2022	1.05	1.46	13.60	15.13
6/14/2022	1.17	1.48	13.57	15.17
6/15/2022	1.05	1.41	12.65	14.85
6/16/2022	1.22	1.64	17.03	19.06
6/17/2022	1.16	1.71	11.96	13.81
6/18/2022	1.22	1.55	12.11	13.69
6/19/2022	1.01	1.27	12.37	13.07
6/20/2022	1.13	1.60	11.85	13.35
6/21/2022	1.13	1.34	11.99	14.08
6/22/2022	6.58	6.91	14.42	15.75
6/23/2022	1.57	1.96	12.12	13.46
6/24/2022	3.31	3.59	10.94	12.85
6/25/2022	1.13	1.49	20.63	22.04
6/26/2022	1.98	2.43	29.83	30.73
6/27/2022	1.37	1.67	20.31	21.93
6/28/2022	1.23	1.60	13.28	15.23
6/29/2022	1.25	1.61	13.49	15.42
6/30/2022	2.88	3.54	22.19	24.02
7/1/2022	1.68	2.19	23.83	25.44
7/2/2022	1.17	1.59	12.16	13.91
7/3/2022	1.13	1.45	11.52	13.48
7/4/2022	1.05	1.51	12.82	14.64
7/5/2022	1.09	1.47	13.05	14.86
7/6/2022	1.40	1.82	22.06	23.58
7/7/2022	1.10	1.54	16.95	18.41
7/8/2022	1.09	1.34	12.88	14.59
7/9/2022	1.07	1.41	12.38	13.78
7/10/2022	2.00	2.26	16.53	18.64
7/11/2022	1.16	1.46	47.23	54.80
7/12/2022	1.19	1.40	24.04	54.80

Date	Gravity Influent		Force Main Influent	
	FIT_10_1507A	FIT_10_1507B	FIT_10_1510A	FIT_10_1510B
7/13/2022	1.27	1.57	19.26	20.74
7/14/2022	13.16	14.49	25.43	26.51
7/15/2022	2.42	2.71	17.01	17.89
7/16/2022	1.31	1.57	11.83	13.11
7/17/2022	2.71	3.41	26.13	27.17
7/18/2022	1.20	1.72	14.66	26.96
7/19/2022	0.99	1.34	12.60	14.41
7/20/2022	0.97	1.21	12.76	14.49
7/21/2022	1.29	1.69	13.03	14.89
7/22/2022	19.38	21.02	45.96	47.14
7/23/2022	1.83	2.30	22.76	24.27
7/24/2022	2.64	3.03	13.07	14.64
7/25/2022	3.52	3.77	29.50	30.44
7/26/2022	12.16	13.16	38.67	41.55
7/27/2022	3.67	4.03	21.04	23.04
7/28/2022	1.72	2.08	31.09	33.10
7/29/2022	1.50	1.85	19.21	20.85
7/30/2022	4.23	4.62	35.04	36.44
7/31/2022	2.54	2.98	15.57	17.20
8/1/2022	2.86	3.46	19.47	21.04
8/2/2022	2.35	2.78	18.30	19.96
8/3/2022	19.25	21.07	43.82	45.75
8/4/2022	2.45	3.05	22.58	24.19
8/5/2022	5.35	5.79	22.61	24.61
8/6/2022	3.02	3.51	16.91	18.56
8/7/2022	1.56	1.85	13.51	15.43
8/8/2022	1.50	1.87	18.68	20.50
8/9/2022	1.37	1.63	16.22	17.73
8/10/2022	11.13	11.72	34.70	36.21
8/11/2022	4.14	4.78	29.59	30.87
8/12/2022	1.85	2.26	18.79	20.56
8/13/2022	1.33	1.64	16.00	17.77
8/14/2022	1.23	1.51	14.59	16.53
8/15/2022	1.46	1.97	15.28	17.11
8/16/2022	1.43	1.79	14.45	16.26
8/17/2022	1.63	2.12	15.17	16.97
8/18/2022	0.57	0.80	14.82	16.77
8/19/2022	16.11	17.29	27.33	28.72
8/20/2022	10.14	10.85	36.95	38.06
8/21/2022	12.78	13.79	23.17	24.74
8/22/2022	9.78	10.73	36.44	37.19
8/23/2022	17.97	19.59	47.57	48.41
8/24/2022	8.09	8.66	28.33	29.51
8/25/2022	11.94	12.70	33.11	34.13
8/26/2022	5.04	5.28	22.01	23.59
8/27/2022	1.56	1.98	19.63	21.39
8/28/2022	0.87	1.18	26.82	28.72
8/29/2022	1.60	1.88	16.35	18.08
8/30/2022	1.46	2.02	17.44	19.30
8/31/2022	0.88	1.07	14.51	16.24
9/1/2022	0.59	0.92	14.22	16.02
9/2/2022	0.53	0.83	14.05	15.92
9/3/2022	5.05	5.64	17.78	19.10
9/4/2022	1.00	1.39	14.20	15.84
9/5/2022	0.74	1.12	14.21	15.94
9/6/2022	0.70	1.00	15.61	17.51
9/7/2022	0.66	1.02	16.03	17.34
9/8/2022	2.83	3.38	23.32	24.38

Date	Gravity Influent		Force Main Influent	
	FIT_10_1507A	FIT_10_1507B	FIT_10_1510A	FIT_10_1510B
9/9/2022	4.31	4.65	19.38	21.13
9/10/2022	1.33	1.72	13.79	15.74
9/11/2022	0.64	1.01	12.86	14.68
9/12/2022	0.61	0.99	13.45	15.12

CBR SWWTP MAXIMUM DAILY FLOWS-MGD						
Date / Time	Force Main		Equalization		Gravity	
	FIT-06-9-1	FIT-06-9-2	FIT-07-9-1	FIT-07-9-2	FIT-05-8-1	FIT-05-8-2
1/1/2020	31.1	30.6	37.9	38.0	0.1	0.0
1/2/2020	41.0	41.4	88.9	93.8	0.1	0.0
1/3/2020	53.3	56.1	73.2	77.2	0.0	0.0
1/4/2020	44.4	45.8	2.0	0.0	0.0	0.0
1/5/2020	40.2	42.1	1.9	0.0	0.0	0.0
1/6/2020	39.8	41.1	2.1	0.0	0.0	0.0
1/7/2020	40.1	27.1	0.0	0.0	0.2	0.0
1/8/2020	37.9	20.1	17.0	16.0	2.0	0.0
1/9/2020	20.9	21.1	0.0	0.0	10.1	0.7
1/10/2020	19.9	19.9	0.0	0.0	0.0	0.0
1/11/2020	42.0	42.6	81.7	87.2	0.3	0.8
1/12/2020	39.2	40.5	2.2	0.0	0.1	0.2
1/13/2020	40.3	41.0	44.0	44.2	0.0	0.0
1/14/2020	27.2	27.4	2.3	0.0	0.4	0.0
1/15/2020	21.9	22.2	0.0	0.0	0.3	0.0
1/16/2020	43.0	43.2	36.3	36.6	0.4	0.0
1/17/2020	39.4	40.5	2.0	0.0	0.1	0.1
1/18/2020	30.6	30.3	40.3	40.0	0.4	0.6
1/19/2020	29.0	28.8	32.5	33.6	0.1	0.1
1/20/2020	21.1	21.4	0.0	0.0	0.1	0.0
1/21/2020	25.7	26.3	0.0	0.0	0.1	0.0
1/22/2020	20.2	20.3	0.0	0.0	0.1	0.0
1/23/2020	30.6	30.6	48.8	50.0	0.1	0.1
1/24/2020	37.0	37.7	2.2	0.0	0.0	0.0
1/25/2020	23.5	23.4	0.0	0.0	0.1	0.0
1/26/2020	40.2	40.9	49.4	50.5	0.0	0.0
1/27/2020	29.0	30.0	22.8	20.1	0.0	0.0
1/28/2020	28.6	29.5	0.0	0.0	0.0	0.1
1/29/2020	39.8	40.5	0.0	0.0	0.1	0.0
1/30/2020	23.6	23.5	0.0	0.0	0.1	0.0
1/31/2020	22.2	22.6	0.0	0.0	0.0	0.1
2/1/2020	22.9	23.3	0.0	0.0	0.1	0.0
2/2/2020	22.6	23.1	0.0	0.0	0.1	0.0
2/3/2020	23.3	30.2	0.0	0.0	0.3	0.1
2/4/2020	21.4	21.3	0.0	0.0	10.0	25.5
2/5/2020	52.2	51.1	75.1	79.5	0.2	10.0
2/6/2020	51.6	53.4	85.9	92.5	0.5	17.8
2/7/2020	56.0	43.8	28.7	26.6	2.6	31.6
2/8/2020	42.3	42.5	1.8	0.0	0.6	29.7
2/9/2020	37.5	37.4	2.2	0.0	0.1	24.5
2/10/2020	42.7	44.9	49.3	50.2	11.0	34.6
2/11/2020	33.4	34.8	2.3	0.0	31.0	30.6
2/12/2020	22.1	22.0	0.0	0.0	26.2	25.9
2/13/2020	43.1	45.3	45.4	45.9	30.5	31.3
2/14/2020	29.0	28.5	2.2	0.0	16.3	16.3
2/15/2020	21.6	21.8	0.0	0.0	15.0	14.3
2/16/2020	39.5	41.1	74.5	77.8	28.9	29.8
2/17/2020	36.3	37.2	2.1	0.0	21.6	23.0
2/18/2020	43.7	44.8	3.1	0.0	17.3	17.1
2/19/2020	44.3	47.1	37.2	37.7	22.0	23.5
2/20/2020	51.1	52.8	85.5	90.9	23.2	26.1
2/21/2020	52.8	54.7	1.7	0.0	21.8	23.0

CBR SWWTP MAXIMUM DAILY FLOWS-MGD						
Date / Time	Force Main		Equalization		Gravity	
	FIT-06-9-1	FIT-06-9-2	FIT-07-9-1	FIT-07-9-2	FIT-05-8-1	FIT-05-8-2
2/22/2020	40.9	43.0	1.7	0.0	15.5	15.8
2/23/2020	40.9	41.5	2.2	0.0	21.1	22.4
2/24/2020	45.8	46.1	94.9	101.9	29.2	30.0
2/25/2020	40.4	40.6	2.2	0.0	22.1	23.3
2/26/2020	23.0	22.7	0.0	0.0	21.0	22.4
2/27/2020	25.5	25.6	0.0	0.0	14.7	15.0
2/28/2020	23.8	24.2	0.0	0.0	14.1	14.4
2/29/2020	22.4	22.5	0.0	0.0	13.7	13.7
3/1/2020	24.1	24.3	0.0	0.0	14.0	14.8
3/2/2020	21.1	21.0	0.0	0.0	14.2	14.2
3/3/2020	21.9	21.8	0.0	0.0	14.1	14.4
3/4/2020	38.2	38.8	42.6	43.4	23.8	23.3
3/5/2020	29.4	29.9	2.2	0.0	17.7	18.6
3/6/2020	21.9	21.6	0.0	0.0	14.7	15.3
3/7/2020	21.1	20.8	0.0	0.0	12.8	13.1
3/8/2020	21.4	21.2	0.0	0.0	14.1	13.4
3/9/2020	20.9	20.9	0.0	0.0	13.9	14.4
3/10/2020	40.9	43.4	75.5	78.4	22.4	24.3
3/11/2020	28.3	27.9	2.0	0.0	14.9	14.9
3/12/2020	24.4	24.3	0.0	0.0	16.2	16.0
3/13/2020	22.3	22.7	0.0	0.0	14.2	14.4
3/14/2020	21.9	21.9	0.0	0.0	13.0	13.1
3/15/2020	22.2	22.3	0.0	0.0	13.9	13.4
3/16/2020	52.0	57.5	0.0	0.0	30.0	14.1
3/17/2020	49.6	51.1	76.6	79.6	40.5	0.0
3/18/2020	37.3	38.2	1.9	0.0	39.4	0.1
3/19/2020	25.7	25.8	2.3	0.0	38.1	0.0
3/20/2020	51.0	51.5	38.2	37.9	39.3	0.0
3/21/2020	42.1	44.8	37.6	38.1	40.7	0.0
3/22/2020	28.7	29.7	0.0	0.0	41.2	0.0
3/23/2020	25.5	25.1	0.0	0.0	38.8	0.0
3/24/2020	20.8	20.9	0.0	0.0	27.6	0.0
3/25/2020	20.9	20.7	0.0	0.0	27.2	0.1
3/26/2020	17.9	17.7	0.0	0.0	26.8	0.1
3/27/2020	20.4	21.5	0.0	0.0	27.2	0.0
3/28/2020	20.0	20.0	0.0	0.0	26.3	0.1
3/29/2020	20.5	20.2	0.0	0.0	26.5	0.2
3/30/2020	20.5	20.6	0.0	0.0	26.4	0.2
3/31/2020	79.9	80.0	0.0	0.0	40.0	39.9
4/1/2020	20.0	20.1	0.0	0.0	24.6	0.1
4/2/2020	19.9	20.2	0.0	0.0	35.2	0.5
4/3/2020	19.4	19.6	0.0	0.0	26.5	0.4
4/4/2020	20.6	20.5	0.0	0.0	25.7	0.6
4/5/2020	21.0	20.7	0.0	0.0	25.6	0.6
4/6/2020	20.1	20.0	0.0	0.0	24.3	0.8
4/7/2020	19.8	19.5	0.0	0.0	25.0	0.5
4/8/2020	25.6	25.6	0.0	0.0	24.4	0.7
4/9/2020	25.8	25.6	0.6	0.0	26.4	1.2
4/10/2020	26.5	26.2	0.0	0.0	30.0	1.0
4/11/2020	25.9	25.7	0.0	0.0	25.9	1.1
4/12/2020	27.2	26.8	0.0	0.0	27.2	1.9
4/13/2020	27.1	26.7	0.0	0.0	27.4	1.6

CBR SWWTP MAXIMUM DAILY FLOWS-MGD						
Date / Time	Force Main		Equalization		Gravity	
	FIT-06-9-1	FIT-06-9-2	FIT-07-9-1	FIT-07-9-2	FIT-05-8-1	FIT-05-8-2
4/14/2020	25.1	24.5	0.0	0.0	26.9	1.8
4/15/2020	24.3	24.0	0.0	0.0	27.2	1.5
4/16/2020	25.9	25.3	0.0	0.0	25.1	1.2
4/17/2020	24.6	23.9	0.0	0.0	24.2	1.2
4/18/2020	27.6	27.3	0.0	0.0	40.1	1.4
4/19/2020	53.3	53.3	47.5	48.8	41.2	2.1
4/20/2020	27.5	26.9	33.8	32.2	31.1	2.3
4/21/2020	27.1	26.8	0.0	0.0	25.9	2.4
4/22/2020	26.3	25.9	0.0	0.0	25.0	2.2
4/23/2020	43.7	44.4	75.3	79.2	41.2	1.5
4/24/2020	38.1	38.4	2.8	0.0	31.7	2.0
4/25/2020	25.9	25.7	3.0	0.0	40.5	2.2
4/26/2020	24.4	23.9	0.0	0.0	24.4	2.4
4/27/2020	24.5	23.8	0.0	0.0	27.3	2.5
4/28/2020	53.4	60.1	87.0	95.2	41.2	2.7
4/29/2020	53.9	53.3	81.2	90.2	41.2	29.8
4/30/2020	41.6	42.0	2.0	0.0	41.2	17.7
5/1/2020	42.3	42.7	2.0	0.0	27.6	0.0
5/2/2020	41.2	41.8	1.9	0.0	26.7	0.0
5/3/2020	30.3	30.0	2.8	0.0	25.9	0.2
5/4/2020	30.2	30.2	0.0	0.0	24.4	0.0
5/5/2020	28.2	28.3	46.0	45.4	25.3	0.1
5/6/2020	23.9	50.4	0.0	0.0	27.0	25.5
5/7/2020	0.9	51.0	0.0	0.0	0.7	28.8
5/8/2020	49.1	51.2	88.1	93.9	30.9	31.4
5/9/2020	42.5	43.1	22.0	21.6	22.4	22.4
5/10/2020	41.9	82.5	2.9	0.0	15.3	24.6
5/11/2020	0.3	78.7	0.0	0.0	1.5	30.3
5/12/2020	0.7	57.1	0.0	0.0	0.8	28.1
5/13/2020	0.5	56.2	0.0	0.0	1.5	32.6
5/14/2020	42.6	52.1	87.3	98.6	28.4	31.6
5/15/2020	48.8	48.1	37.3	41.0	22.6	24.3
5/16/2020	41.9	41.4	2.8	0.0	14.2	14.2
5/17/2020	42.2	42.1	0.0	0.0	22.0	22.2
5/18/2020	41.6	41.9	0.0	0.0	18.4	18.5
5/19/2020	51.1	24.0	0.0	0.0	31.8	16.9
5/20/2020	46.7	1.7	0.0	0.0	31.1	0.3
5/21/2020	50.2	1.3	0.0	0.0	31.3	0.0
5/22/2020	47.9	1.4	0.0	0.0	31.9	0.0
5/23/2020	52.6	50.5	43.3	44.6	32.0	23.9
5/24/2020	51.5	40.4	0.0	0.0	31.3	15.9
5/25/2020	47.5	43.4	46.3	47.1	31.8	25.9
5/26/2020	41.2	42.6	2.9	0.0	15.8	17.0
5/27/2020	24.9	25.3	0.0	0.0	15.4	15.9
5/28/2020	47.4	41.0	0.0	0.0	31.5	17.2
5/29/2020	49.5	16.3	0.0	0.0	31.9	13.9
5/30/2020	45.7	1.6	0.0	0.0	32.3	0.0
5/31/2020	50.7	2.0	0.0	0.0	31.9	0.0
6/1/2020	51.3	1.2	0.0	0.0	32.2	0.0
6/2/2020	49.2	1.2	0.0	0.0	32.7	0.0
6/3/2020	42.0	26.7	0.0	0.0	31.7	16.9
6/4/2020	26.2	25.6	0.0	0.0	17.2	17.3

CBR SWWTP MAXIMUM DAILY FLOWS-MGD						
Date / Time	Force Main		Equalization		Gravity	
	FIT-06-9-1	FIT-06-9-2	FIT-07-9-1	FIT-07-9-2	FIT-05-8-1	FIT-05-8-2
6/5/2020	27.3	26.5	0.0	0.0	17.4	17.6
6/6/2020	26.7	26.4	0.0	0.0	17.5	18.0
6/7/2020	46.6	45.7	75.1	103.6	23.5	25.4
6/8/2020	48.2	47.0	74.3	79.2	20.9	22.7
6/9/2020	35.0	33.3	3.1	0.0	14.2	14.7
6/10/2020	39.1	39.4	77.0	81.2	21.0	22.1
6/11/2020	40.6	41.6	42.9	44.3	13.0	13.7
6/12/2020	49.0	17.5	0.0	0.0	25.4	12.1
6/13/2020	51.8	1.3	0.0	0.0	31.9	0.0
6/14/2020	46.2	1.7	0.0	0.0	26.2	0.0
6/15/2020	51.0	1.8	0.0	0.0	31.8	0.0
6/16/2020	50.6	1.3	0.0	0.0	30.9	0.0
6/17/2020	46.2	2.0	0.0	0.0	28.5	0.0
6/18/2020	51.2	1.4	0.0	0.0	28.9	0.0
6/19/2020	47.0	1.3	0.0	0.0	29.9	0.1
6/20/2020	49.4	1.5	0.0	0.0	29.4	0.1
6/21/2020	54.6	1.6	37.2	37.5	32.0	23.3
6/22/2020	73.5	41.7	0.0	0.0	22.1	23.9
6/23/2020	47.0	39.5	46.5	47.7	25.5	24.9
6/24/2020	47.7	47.2	85.4	90.7	22.1	26.7
6/25/2020	38.1	38.3	36.5	38.7	19.4	22.7
6/26/2020	41.6	42.2	0.0	0.0	20.7	24.0
6/27/2020	30.7	30.4	37.3	38.0	15.4	27.0
6/28/2020	50.8	25.7	0.0	0.0	26.7	27.1
6/29/2020	53.7	1.1	0.0	0.0	28.3	0.0
6/30/2020	56.4	1.4	0.0	0.0	26.5	0.0
7/1/2020	64.0	1.2	0.0	0.0	27.0	0.1
7/2/2020	55.9	1.4	0.0	0.0	31.8	0.0
7/3/2020	46.2	26.7	0.0	0.0	29.0	14.1
7/4/2020	29.1	28.1	0.0	0.0	16.0	18.5
7/5/2020	40.3	38.9	78.9	82.0	21.1	25.0
7/6/2020	51.3	52.0	83.2	92.2	21.8	25.9
7/7/2020	56.5	62.3	75.4	80.5	20.1	23.4
7/8/2020	53.9	55.2	18.2	18.5	20.7	24.0
7/9/2020	40.4	41.9	29.7	30.6	14.4	16.5
7/10/2020	30.5	30.7	0.0	0.0	13.7	15.5
7/11/2020	27.4	27.2	0.0	0.0	12.6	15.0
7/12/2020	26.9	26.7	0.0	0.0	12.8	15.1
7/13/2020	27.4	27.1	0.0	0.0	13.0	14.7
7/14/2020	24.3	23.9	0.0	0.0	14.7	17.1
7/15/2020	27.9	27.6	0.0	0.0	15.5	17.9
7/16/2020	52.6	51.0	0.0	0.0	13.8	15.8
7/17/2020	50.4	25.4	0.0	0.0	26.2	15.6
7/18/2020	45.9	2.3	0.0	0.0	25.6	0.0
7/19/2020	49.4	1.4	0.0	0.0	26.1	0.0
7/20/2020	48.5	1.6	0.0	0.0	30.1	0.0
7/21/2020	52.7	1.3	0.0	0.0	33.9	0.0
7/22/2020	53.2	1.2	4.5	4.5	26.8	0.1
7/23/2020	50.1	1.4	0.0	0.0	29.5	0.1
7/24/2020	82.4	1.3	0.0	0.0	31.1	0.1
7/25/2020	54.6	1.4	0.0	0.0	28.5	0.4
7/26/2020	54.8	1.0	0.0	0.0	39.0	0.1

CBR SWWTP MAXIMUM DAILY FLOWS-MGD						
Date / Time	Force Main		Equalization		Gravity	
	FIT-06-9-1	FIT-06-9-2	FIT-07-9-1	FIT-07-9-2	FIT-05-8-1	FIT-05-8-2
7/27/2020	43.9	43.9	92.1	98.0	24.1	24.8
7/28/2020	54.7	52.9	69.7	75.3	22.5	24.5
7/29/2020	44.2	44.6	17.7	18.1	21.1	22.6
7/30/2020	41.3	42.5	0.0	0.0	18.4	17.9
7/31/2020	31.5	31.8	0.0	0.0	30.9	14.2
8/1/2020	50.1	28.6	0.0	0.0	27.1	0.0
8/2/2020	49.9	2.2	0.0	0.0	31.8	0.1
8/3/2020	47.7	1.3	0.0	0.0	31.5	0.0
8/4/2020	44.4	1.1	0.0	0.0	31.5	0.0
8/5/2020	48.0	1.4	0.0	0.0	30.8	0.0
8/6/2020	44.8	1.2	0.0	0.0	24.8	0.0
8/7/2020	54.7	1.7	0.0	0.0	30.8	0.2
8/8/2020	53.1	1.4	0.0	0.0	30.7	0.1
8/9/2020	82.4	1.5	0.0	0.0	39.4	0.3
8/10/2020	55.3	1.6	0.0	0.0	31.9	0.2
8/11/2020	47.2	1.6	0.0	0.0	30.8	0.4
8/12/2020	46.9	1.4	0.0	0.0	35.0	0.7
8/13/2020	82.4	36.2	69.6	74.8	34.7	24.3
8/14/2020	33.4	34.5	0.0	0.0	24.0	25.8
8/15/2020	25.0	24.5	0.0	0.0	16.9	17.4
8/16/2020	23.9	23.3	0.0	0.0	16.8	17.2
8/17/2020	29.0	28.4	0.0	0.0	16.2	16.7
8/18/2020	22.8	22.4	0.0	0.0	15.4	15.5
8/19/2020	41.4	40.0	0.0	0.0	16.2	16.7
8/20/2020	29.2	28.3	36.9	37.1	22.5	23.4
8/21/2020	27.3	26.7	0.0	0.0	14.9	15.1
8/22/2020	22.8	22.4	0.0	0.0	12.0	11.8
8/23/2020	24.3	24.0	0.0	0.0	16.9	17.0
8/24/2020	23.5	23.2	0.0	0.0	16.4	16.5
8/25/2020	29.1	28.2	68.7	68.9	16.6	16.8
8/26/2020	46.3	47.9	0.0	0.0	16.6	16.6
8/27/2020	60.4	59.4	55.5	58.4	24.7	26.1
8/28/2020	50.3	51.0	0.0	0.0	17.0	18.8
8/29/2020	26.4	25.9	0.0	0.0	17.1	16.9
8/30/2020	23.6	23.1	0.0	0.0	16.6	16.2
8/31/2020	25.7	24.8	0.0	0.0	12.9	12.7
9/1/2020	56.9	24.1	36.7	38.2	26.7	13.2
9/2/2020	49.2	1.4	0.0	0.0	26.2	0.0
9/3/2020	48.5	1.4	0.0	0.0	24.3	0.0
9/4/2020	46.5	1.2	0.0	0.0	31.1	0.5
9/5/2020	49.4	1.3	0.0	0.0	23.0	0.0
9/6/2020	49.0	1.4	0.0	0.0	23.1	0.0
9/7/2020	47.9	1.3	0.0	0.0	24.3	0.0
9/8/2020	47.3	1.4	0.0	0.0	29.4	0.3
9/9/2020	46.1	1.3	0.0	0.0	27.9	0.3
9/10/2020	47.0	1.6	0.0	0.0	30.0	0.2
9/11/2020	46.4	1.8	0.0	0.0	30.1	0.5
9/12/2020	46.0	1.8	0.0	0.0	34.0	0.6
9/13/2020	52.8	2.4	0.0	0.0	30.7	0.8
9/14/2020	47.2	1.5	0.0	0.0	23.2	0.0
9/15/2020	43.3	1.4	0.0	0.0	27.1	0.9
9/16/2020	36.6	21.3	0.0	0.0	30.7	1.2

CBR SWWTP MAXIMUM DAILY FLOWS-MGD						
Date / Time	Force Main		Equalization		Gravity	
	FIT-06-9-1	FIT-06-9-2	FIT-07-9-1	FIT-07-9-2	FIT-05-8-1	FIT-05-8-2
9/17/2020	44.0	19.5	0.0	0.0	27.6	1.4
9/18/2020	42.3	1.5	0.0	0.0	26.6	1.5
9/19/2020	30.6	22.5	0.0	0.0	21.2	18.7
9/20/2020	23.2	22.6	0.0	0.0	17.2	19.7
9/21/2020	23.6	23.4	0.0	0.0	16.6	17.0
9/22/2020	20.8	20.4	0.0	0.0	16.6	17.0
9/23/2020	44.3	45.4	20.1	20.9	21.2	22.3
9/24/2020	24.4	23.6	0.0	0.0	16.2	16.7
9/25/2020	43.6	14.7	0.0	0.0	24.2	12.5
9/26/2020	46.5	1.4	0.0	0.0	25.6	0.0
9/27/2020	47.5	1.9	0.0	0.0	24.6	0.1
9/28/2020	45.5	1.5	0.0	0.0	27.7	0.2
9/29/2020	40.7	1.5	0.0	0.0	29.8	0.1
9/30/2020	40.6	1.1	0.0	0.0	22.4	0.0
10/1/2020	82.4	1.3	0.0	0.0	27.4	0.2
10/2/2020	46.0	1.3	0.0	0.0	31.2	0.2
10/3/2020	40.9	1.2	0.0	0.0	26.3	0.2
10/4/2020	43.1	1.6	0.0	0.0	26.2	0.4
10/5/2020	43.7	1.8	0.0	0.0	29.4	0.3
10/6/2020	46.1	2.0	0.0	0.0	26.1	0.2
10/7/2020	41.7	1.5	0.0	0.0	24.0	0.4
10/8/2020	76.0	48.9	41.2	42.9	29.4	24.9
10/9/2020	66.1	67.3	72.4	81.7	22.0	24.7
10/10/2020	47.9	52.5	26.3	27.7	22.3	24.0
10/11/2020	41.8	42.8	9.3	8.7	23.9	25.1
10/12/2020	47.9	32.9	0.0	0.0	25.8	15.5
10/13/2020	51.3	1.3	0.0	0.0	24.9	0.0
10/14/2020	51.2	1.5	0.0	0.0	28.7	0.0
10/15/2020	51.4	1.5	0.0	0.0	29.3	0.0
10/16/2020	46.0	2.0	0.0	0.0	24.0	0.0
10/17/2020	46.4	1.2	0.0	0.0	22.9	0.1
10/18/2020	48.0	1.2	0.0	0.0	24.4	0.1
10/19/2020	47.5	1.6	0.0	0.0	39.7	0.7
10/20/2020	44.4	1.5	0.0	0.0	26.2	0.4
10/21/2020	74.6	1.4	0.0	0.0	28.7	0.6
10/22/2020	42.6	1.6	0.0	0.0	29.4	0.6
10/23/2020	58.3	40.2	45.2	46.1	38.2	0.7
10/24/2020	31.8	38.0	21.4	22.3	38.2	0.2
10/25/2020	48.8	15.8	0.0	0.0	23.9	0.4
10/26/2020	44.4	1.2	0.0	0.0	30.9	1.4
10/27/2020	45.4	1.7	0.0	0.0	30.1	0.9
10/28/2020	47.3	39.0	45.3	46.4	33.7	19.8
10/29/2020	49.0	25.0	0.0	0.0	29.8	0.3
10/30/2020	82.1	82.0	0.0	0.0	29.9	39.9
10/31/2020	55.7	1.7	0.0	0.0	29.7	1.3
11/1/2020	44.2	1.5	0.0	0.0	30.0	1.3
11/1/2020	44.5	1.5	0.0	0.0	29.5	1.0
11/2/2020	48.0	1.9	0.0	0.0	28.6	1.0
11/3/2020	43.2	1.4	0.0	0.0	30.3	1.2
11/4/2020	54.2	1.6	37.2	37.4	29.8	1.3
11/5/2020	41.0	1.2	0.0	0.0	29.1	1.0
11/6/2020	42.7	1.3	0.0	0.0	30.0	1.3

CBR SWWTP MAXIMUM DAILY FLOWS-MGD						
Date / Time	Force Main		Equalization		Gravity	
	FIT-06-9-1	FIT-06-9-2	FIT-07-9-1	FIT-07-9-2	FIT-05-8-1	FIT-05-8-2
11/7/2020	44.2	1.2	0.0	0.0	38.2	1.3
11/8/2020	48.4	1.1	0.0	0.0	29.6	1.3
11/9/2020	46.9	1.9	0.0	0.0	35.1	2.1
11/10/2020	47.0	1.2	0.0	0.0	23.5	0.4
11/11/2020	46.5	1.2	0.0	0.0	23.3	0.9
11/12/2020	43.2	1.3	0.0	0.0	23.6	0.8
11/13/2020	43.0	1.3	0.0	0.0	21.7	1.3
11/14/2020	43.3	1.7	0.0	0.0	22.2	1.6
11/15/2020	44.7	1.1	0.0	0.0	29.7	1.8
11/16/2020	47.8	1.2	0.0	0.0	28.0	2.1
11/17/2020	44.3	1.2	0.0	0.0	29.0	2.3
11/18/2020	47.7	1.3	0.0	0.0	39.3	1.6
11/19/2020	47.7	1.1	0.0	0.0	28.5	1.7
11/20/2020	37.1	1.8	0.0	0.0	28.9	1.9
11/21/2020	43.7	1.2	0.0	0.0	29.0	2.0
11/22/2020	41.5	1.2	0.0	0.0	29.0	2.0
11/23/2020	42.9	1.1	0.0	0.0	28.5	2.2
11/24/2020	40.9	40.8	39.2	40.6	38.2	1.9
11/25/2020	25.9	25.3	0.0	0.0	29.0	1.9
11/26/2020	44.8	45.4	78.0	92.7	29.1	23.5
11/27/2020	50.7	53.3	30.3	31.4	17.9	19.9
11/28/2020	43.8	50.4	74.5	80.9	22.7	24.3
11/29/2020	38.7	38.8	0.0	0.0	13.3	13.9
11/30/2020	28.4	28.5	0.0	0.0	12.9	13.1
12/1/2020	48.2	26.9	0.0	0.0	24.5	12.5
12/2/2020	74.2	47.8	36.2	36.5	39.7	0.0
12/3/2020	45.9	38.1	36.1	36.0	31.8	0.0
12/4/2020	62.6	1.1	0.0	0.0	31.9	0.0
12/5/2020	47.1	1.6	0.0	0.0	31.7	0.0
12/6/2020	43.7	1.1	0.0	0.0	31.6	0.0
12/7/2020	75.5	1.2	0.0	0.0	31.5	0.2
12/8/2020	50.5	1.0	37.7	38.8	31.6	0.0
12/9/2020	43.0	1.3	0.0	0.0	30.5	0.2
12/10/2020	41.5	1.8	0.0	0.0	30.2	0.1
12/11/2020	38.7	38.9	0.0	0.0	28.4	19.1
12/12/2020	26.7	25.9	0.0	0.0	15.0	15.9
12/13/2020	51.5	21.6	0.0	0.0	27.5	24.0
12/14/2020	45.8	1.4	0.0	0.0	31.2	0.0
12/15/2020	49.4	30.8	43.1	44.1	31.2	20.2
12/16/2020	25.7	25.6	0.0	0.0	18.8	19.6
12/17/2020	21.8	22.0	0.0	0.0	17.0	17.7
12/18/2020	38.3	39.3	83.7	87.5	23.3	24.1
12/19/2020	29.3	30.2	72.0	77.5	21.2	22.5
12/20/2020	29.0	28.4	0.0	0.0	14.6	14.9
12/21/2020	48.0	22.7	0.0	0.0	25.7	13.4
12/22/2020	52.6	1.8	0.0	0.0	25.2	0.0
12/23/2020	53.1	33.7	85.9	91.0	24.5	23.8
12/24/2020	38.2	39.0	0.0	0.0	14.4	14.7
12/25/2020	27.4	27.1	0.0	0.0	13.0	12.9
12/26/2020	24.7	24.4	0.0	0.0	12.8	12.5
12/27/2020	45.6	19.9	0.0	0.0	25.0	12.0
12/28/2020	46.2	1.6	0.0	0.0	30.0	0.0

CBR SWWTP MAXIMUM DAILY FLOWS-MGD						
Date / Time	Force Main		Equalization		Gravity	
	FIT-06-9-1	FIT-06-9-2	FIT-07-9-1	FIT-07-9-2	FIT-05-8-1	FIT-05-8-2
12/29/2020	46.1	1.5	0.0	0.0	28.1	0.0
12/30/2020	40.2	24.6	37.4	37.3	26.1	21.8
12/31/2020	26.0	25.3	37.4	37.3	19.3	19.0
1/1/2021	26.0	25.3	34.8	36.1	18.2	18.1
1/2/2021	24.0	24.0	0.0	0.0	13.8	13.5
1/3/2021	23.5	23.6	0.0	0.0	13.2	13.2
1/4/2021	45.7	16.1	0.0	0.0	25.8	11.8
1/5/2021	44.6	1.6	0.0	0.0	25.8	0.0
1/6/2021	44.5	2.0	0.0	0.0	31.1	0.0
1/7/2021	55.5	0.2	78.9	81.4	41.2	0.2
1/8/2021	40.1	0.4	0.0	0.0	26.6	0.0
1/9/2021	46.0	0.5	0.0	0.0	26.1	0.0
1/10/2021	49.6	1.2	0.0	0.0	31.0	12.0
1/11/2021	43.9	24.3	80.0	82.8	41.0	24.4
1/12/2021	27.8	27.3	0.0	0.0	20.4	20.8
1/13/2021	28.2	28.2	0.0	0.0	14.4	14.4
1/14/2021	23.6	24.0	0.0	0.0	27.0	12.7
1/15/2021	23.1	23.4	0.0	0.0	32.2	0.0
1/16/2021	23.6	23.7	0.0	0.0	26.8	0.0
1/17/2021	23.7	24.1	0.0	0.0	30.6	0.0
1/18/2021	23.2	23.2	0.0	0.0	30.5	0.1
1/19/2021	24.4	24.3	0.0	0.0	29.6	0.0
1/20/2021	29.4	29.6	67.2	67.0	29.7	0.1
1/21/2021	22.2	22.7	0.0	0.0	31.1	0.2
1/22/2021	27.8	27.7	46.1	47.4	24.7	24.9
1/23/2021	28.1	27.8	0.0	0.0	14.5	19.7
1/24/2021	24.3	24.0	0.0	0.0	14.4	15.1
1/25/2021	23.9	24.0	0.0	0.0	13.0	14.4
1/26/2021	36.5	37.2	36.2	37.0	20.9	22.7
1/27/2021	24.7	24.7	0.0	0.0	14.1	14.5
1/28/2021	23.9	23.7	0.0	0.0	13.1	14.0
1/29/2021	21.9	21.8	0.0	0.0	12.7	12.9
1/30/2021	22.6	22.5	0.0	0.0	13.6	14.0
1/31/2021	22.5	22.6	0.0	0.0	16.0	16.3
2/1/2021	24.4	24.5	0.0	0.0	17.1	17.9
2/2/2021	24.5	24.1	0.0	0.0	25.4	16.8
2/3/2021	23.1	22.8	0.0	0.0	30.9	0.0
2/4/2021	22.3	22.0	0.0	0.0	29.8	0.0
2/5/2021	26.7	26.1	44.2	44.6	38.5	16.1
2/6/2021	23.1	22.7	30.4	31.9	23.5	24.1
2/7/2021	25.6	25.4	0.0	0.0	15.6	15.9
2/8/2021	27.1	26.8	0.0	0.0	13.9	14.1
2/9/2021	26.4	26.6	0.0	0.0	13.5	14.3
2/10/2021	24.7	24.9	0.0	0.0	17.2	16.3
2/11/2021	37.8	39.3	90.8	93.9	31.9	32.5
2/12/2021	49.2	53.7	82.9	87.6	30.0	30.9
2/13/2021	40.3	39.9	0.0	0.0	24.7	24.2
2/14/2021	36.8	38.7	0.0	0.0	17.0	16.8
2/15/2021	39.1	39.3	75.4	80.9	28.5	29.0
2/16/2021	39.7	39.7	67.5	70.9	21.1	21.9
2/17/2021	36.9	44.3	88.4	94.0	26.9	28.8
2/18/2021	40.3	41.4	73.0	78.4	27.7	29.7

CBR SWWTP MAXIMUM DAILY FLOWS-MGD						
Date / Time	Force Main		Equalization		Gravity	
	FIT-06-9-1	FIT-06-9-2	FIT-07-9-1	FIT-07-9-2	FIT-05-8-1	FIT-05-8-2
2/19/2021	37.4	38.1	0.0	0.0	18.6	19.2
2/20/2021	38.6	39.3	0.0	0.0	21.7	22.5
2/21/2021	39.4	40.3	0.2	0.2	15.0	15.1
2/22/2021	51.8	23.4	0.0	0.0	15.4	15.3
2/23/2021	51.6	0.0	0.0	0.0	16.4	16.5
2/24/2021	51.3	0.0	0.0	0.0	37.2	13.7
2/25/2021	51.5	6.8	0.0	0.0	28.0	0.1
2/26/2021	51.3	1.4	26.1	26.1	28.4	14.0
2/27/2021	51.5	0.0	0.0	0.0	14.5	14.2
2/28/2021	51.5	0.2	0.0	0.0	14.6	14.6
3/1/2021	51.6	0.0	0.0	0.0	14.1	14.5
3/2/2021	53.3	0.0	67.9	70.8	28.7	28.9
3/3/2021	51.5	0.0	11.6	11.8	29.2	29.2
3/4/2021	51.8	0.0	0.0	0.0	15.1	15.1
3/5/2021	51.7	0.0	0.0	0.0	15.1	15.3
3/6/2021	51.9	0.0	0.0	0.0	13.5	15.1
3/7/2021	52.0	0.0	0.0	0.0	15.5	15.5
3/8/2021	51.4	0.0	0.0	0.0	13.5	14.0
3/9/2021	51.8	0.0	0.0	0.0	15.6	16.1
3/10/2021	51.2	0.0	0.0	0.0	16.0	16.2
3/11/2021	51.5	0.0	0.0	0.0	15.7	15.6
3/12/2021	50.8	0.0	0.0	0.0	16.1	16.1
3/13/2021	51.2	0.0	0.0	0.0	16.3	16.2
3/14/2021	51.2	0.0	0.0	0.0	16.6	16.6
3/15/2021	49.6	0.0	0.0	0.0	16.1	16.2
3/16/2021	50.8	0.0	18.4	18.7	15.3	15.6
3/17/2021	51.0	82.1	90.2	95.1	24.1	34.5
3/18/2021	31.4	31.3	20.9	22.3	19.3	20.2
3/19/2021	26.3	26.9	0.0	0.0	25.3	24.5
3/20/2021	23.2	22.8	0.0	0.0	26.4	15.4
3/21/2021	23.3	23.0	0.0	0.0	30.1	0.0
3/22/2021	28.4	28.1	0.0	0.0	30.2	0.1
3/23/2021	44.4	45.7	87.7	96.8	32.8	29.2
3/24/2021	57.8	82.1	19.5	20.7	23.9	24.1
3/25/2021	48.9	47.8	21.8	23.3	22.0	22.9
3/26/2021	47.6	47.0	0.0	0.0	16.2	16.5
3/27/2021	28.0	27.9	0.0	0.0	23.0	21.4
3/28/2021	28.5	28.7	33.1	33.1	30.0	30.4
3/29/2021	79.6	79.6	0.0	0.0	40.0	25.2
3/30/2021	25.8	26.1	0.0	0.0	15.0	15.1
3/31/2021	26.3	26.4	0.0	0.0	18.2	17.8
4/1/2021	25.3	25.5	0.0	0.0	13.9	14.0
4/2/2021	43.6	24.7	0.0	0.0	24.4	14.0
4/3/2021	44.8	1.3	0.0	0.0	28.7	0.0
4/4/2021	48.5	1.1	0.0	0.0	29.8	0.2
4/5/2021	47.5	1.0	0.0	0.0	29.5	0.1
4/6/2021	51.3	1.2	0.0	0.0	30.5	0.1
4/7/2021	50.5	1.2	0.0	0.0	34.5	0.3
4/8/2021	46.1	45.8	43.9	44.6	29.4	30.0
4/9/2021	47.1	24.1	0.0	0.0	28.9	13.8
4/10/2021	42.4	43.4	97.8	102.4	30.8	30.7
4/11/2021	39.1	39.5	0.0	0.0	15.8	13.9

CBR SWWTP MAXIMUM DAILY FLOWS-MGD						
Date / Time	Force Main		Equalization		Gravity	
	FIT-06-9-1	FIT-06-9-2	FIT-07-9-1	FIT-07-9-2	FIT-05-8-1	FIT-05-8-2
4/12/2021	30.4	30.7	19.2	18.8	16.6	16.4
4/13/2021	43.8	44.4	96.2	100.5	31.2	31.7
4/14/2021	54.1	53.3	75.9	81.0	28.2	26.7
4/15/2021	76.4	57.8	73.7	78.3	26.8	27.1
4/16/2021	59.6	60.8	70.5	76.1	30.2	30.5
4/17/2021	52.1	52.2	39.5	43.5	22.6	23.1
4/18/2021	48.0	48.5	0.0	0.0	29.9	29.9
4/19/2021	39.8	40.4	12.0	11.7	29.2	30.1
4/20/2021	40.0	40.6	0.0	0.0	37.0	15.5
4/21/2021	27.6	27.5	0.0	0.0	15.0	14.9
4/22/2021	26.0	25.9	0.0	0.0	16.3	16.3
4/23/2021	35.7	34.4	0.0	0.0	16.7	16.8
4/24/2021	49.0	48.2	90.2	94.1	29.3	29.9
4/25/2021	39.7	39.7	0.0	0.0	16.0	16.0
4/26/2021	49.8	40.6	20.8	21.4	29.4	14.6
4/27/2021	43.0	82.1	19.3	20.1	27.9	0.0
4/28/2021	27.5	0.0	0.0	0.0	19.8	0.0
4/29/2021	26.3	0.0	0.0	0.0	21.6	0.0
4/30/2021	25.0	0.0	0.0	0.0	23.5	0.0
5/1/2021	51.1	29.7	0.0	0.0	26.2	0.0
5/2/2021	49.1	49.7	91.9	96.3	29.4	29.9
5/3/2021	54.4	46.3	0.0	0.0	17.3	17.9
5/4/2021	39.3	39.5	81.1	84.8	30.4	30.5
5/5/2021	43.6	45.2	31.0	32.9	28.6	29.0
5/6/2021	38.7	39.4	0.0	0.0	16.1	16.3
5/7/2021	0.0	0.0	0.0	0.0	0.0	0.0
5/8/2021	0.0	0.0	0.0	0.0	0.0	0.0
5/9/2021	0.0	0.0	0.0	0.0	0.0	0.0
5/10/2021	40.3	39.9	19.6	20.8	14.5	15.4
5/11/2021	51.5	50.1	83.1	90.0	30.8	31.4
5/12/2021	51.2	55.5	71.7	77.3	30.1	30.4
5/13/2021	39.7	40.7	0.0	0.0	17.4	17.7
5/14/2021	73.2	82.1	15.9	17.2	30.7	16.3
5/15/2021	73.0	0.0	0.0	0.0	30.9	0.0
5/16/2021	73.5	0.7	0.0	0.0	41.2	0.2
5/17/2021	51.9	53.7	88.3	99.1	30.4	31.4
5/18/2021	56.7	69.4	90.9	103.6	28.0	30.0
5/19/2021	58.2	49.8	19.8	20.7	19.7	20.4
5/20/2021	54.4	54.8	82.8	88.3	37.6	32.5
5/21/2021	54.3	54.1	29.4	31.7	27.4	30.3
5/22/2021	51.2	48.2	0.0	0.0	19.2	19.8
5/23/2021	51.3	36.3	21.5	46.9	22.7	23.6
5/24/2021	52.5	46.8	38.3	46.3	16.1	16.1
5/25/2021	52.3	1.5	0.0	0.0	31.4	33.0
5/26/2021	51.6	0.7	0.0	0.0	18.6	14.1
5/27/2021	51.8	1.4	81.6	0.0	41.2	34.1
5/28/2021	52.1	30.7	0.0	0.0	14.1	14.5
5/29/2021	52.1	1.9	44.5	0.0	20.6	22.9
5/30/2021	51.6	0.0	0.0	0.0	16.9	16.9
5/31/2021	51.5	0.0	51.5	0.0	24.3	25.7
6/1/2021	54.0	19.6	102.9	0.2	22.4	24.2
6/2/2021	52.9	0.2	52.4	0.5	20.1	21.6

CBR SWWTP MAXIMUM DAILY FLOWS-MGD						
Date / Time	Force Main		Equalization		Gravity	
	FIT-06-9-1	FIT-06-9-2	FIT-07-9-1	FIT-07-9-2	FIT-05-8-1	FIT-05-8-2
6/3/2021	52.0	41.7	0.1	0.1	22.8	23.6
6/4/2021	42.7	41.6	36.6	37.5	21.8	23.2
6/5/2021	30.7	30.0	48.2	49.5	19.2	19.4
6/6/2021	51.1	51.5	89.6	96.9	29.7	31.7
6/7/2021	47.8	48.5	21.0	21.4	22.2	23.3
6/8/2021	39.4	40.8	0.0	0.0	22.2	23.2
6/9/2021	29.2	28.8	0.0	0.0	17.3	17.9
6/10/2021	28.3	28.4	30.1	31.6	14.2	14.9
6/11/2021	28.2	28.4	0.0	0.0	14.6	14.7
6/12/2021	27.9	27.0	0.0	0.0	14.0	14.0
6/13/2021	36.9	36.3	97.1	103.6	25.2	26.9
6/14/2021	29.6	29.3	71.8	74.1	23.8	25.3
6/15/2021	28.9	28.3	46.2	48.2	15.4	15.3
6/16/2021	28.7	28.2	0.0	0.0	14.3	14.3
6/17/2021	27.3	26.5	0.0	0.0	14.2	14.2
6/18/2021	39.9	41.9	44.2	45.3	17.2	17.3
6/19/2021	26.7	26.2	0.0	0.0	15.0	14.9
6/20/2021	27.9	27.7	0.0	0.0	17.7	17.8
6/21/2021	46.2	47.8	43.7	43.4	23.4	25.0
6/22/2021	37.8	38.1	0.0	0.0	22.3	23.4
6/23/2021	28.0	27.4	0.0	0.0	15.6	15.6
6/24/2021	27.8	27.3	0.0	0.0	14.9	14.9
6/25/2021	39.6	40.5	38.7	38.1	22.3	23.6
6/26/2021	39.1	41.6	0.0	0.0	22.0	23.2
6/27/2021	27.6	26.8	0.0	0.0	16.0	15.9
6/28/2021	28.3	27.8	0.0	0.0	18.4	18.8
6/29/2021	28.3	27.5	0.0	0.0	14.3	15.1
6/30/2021	28.2	27.6	0.0	0.0	21.3	14.1
7/1/2021	28.1	27.6	0.0	0.0	15.1	15.1
7/2/2021	38.1	39.2	48.8	50.3	22.2	23.6
7/3/2021	37.5	39.0	94.0	103.6	23.8	24.3
7/4/2021	34.3	34.4	29.3	31.0	20.8	22.2
7/5/2021	34.3	34.4	41.6	42.0	22.3	23.9
7/6/2021	30.2	76.1	0.0	0.0	33.9	24.2
7/7/2021	0.3	54.6	0.0	0.0	32.9	0.0
7/8/2021	24.6	47.8	0.0	0.0	30.0	0.0
7/9/2021	24.3	23.4	0.4	0.0	29.2	0.0
7/10/2021	26.0	24.8	0.0	0.0	28.1	0.2
7/11/2021	29.5	28.9	0.0	0.0	38.8	0.2
7/12/2021	29.5	28.6	0.0	0.0	41.2	0.3
7/13/2021	36.4	35.9	45.3	46.4	39.9	0.9
7/14/2021	30.5	29.9	0.0	0.0	30.0	0.5
7/15/2021	30.7	29.9	0.0	0.0	30.4	1.3
7/16/2021	45.4	44.9	0.0	0.0	34.1	0.3
7/17/2021	28.9	27.8	0.0	0.0	40.8	1.0
7/18/2021	52.6	50.9	0.0	0.0	37.9	1.0
7/19/2021	29.1	28.8	0.0	0.0	39.0	1.5
7/20/2021	53.6	52.3	76.4	79.4	30.0	29.3
7/21/2021	38.5	39.5	0.0	0.0	20.3	21.1
7/22/2021	28.4	28.4	0.0	0.0	41.2	15.2
7/23/2021	23.2	22.9	0.0	0.0	29.7	0.1
7/24/2021	24.9	24.3	0.0	0.0	28.9	0.4

CBR SWWTP MAXIMUM DAILY FLOWS-MGD						
Date / Time	Force Main		Equalization		Gravity	
	FIT-06-9-1	FIT-06-9-2	FIT-07-9-1	FIT-07-9-2	FIT-05-8-1	FIT-05-8-2
7/25/2021	26.4	26.0	0.0	0.0	33.0	0.6
7/26/2021	27.0	26.5	0.0	0.0	31.4	0.1
7/27/2021	32.6	32.8	37.8	38.0	32.7	0.7
7/28/2021	28.1	29.9	0.0	0.0	30.6	0.5
7/29/2021	26.4	25.9	0.0	0.0	33.0	0.8
7/30/2021	21.5	21.1	0.0	0.0	28.6	0.5
7/31/2021	39.1	37.6	38.9	41.2	32.9	0.9
8/1/2021	40.1	38.0	39.9	41.2	41.2	1.6
8/2/2021	43.2	41.7	88.5	93.4	41.2	0.7
8/3/2021	45.0	44.8	90.9	97.0	40.9	1.1
8/4/2021	40.1	40.4	20.6	20.6	26.7	1.2
8/5/2021	35.2	37.1	0.0	0.0	29.0	1.9
8/6/2021	27.8	27.5	0.0	0.0	39.5	1.8
8/7/2021	24.0	23.9	0.0	0.0	28.2	1.8
8/8/2021	28.3	27.6	0.0	0.0	29.0	1.9
8/9/2021	27.5	27.3	0.0	0.0	31.3	2.3
8/10/2021	26.7	26.3	0.0	0.0	29.1	1.3
8/11/2021	40.2	40.6	37.6	38.0	39.1	2.1
8/12/2021	39.0	39.2	39.3	38.7	41.2	25.1
8/13/2021	39.2	38.7	35.8	35.9	30.7	30.3
8/14/2021	24.1	23.8	0.0	0.0	16.6	16.6
8/15/2021	35.8	36.4	36.7	38.0	22.7	23.8
8/16/2021	25.1	24.2	0.0	0.0	28.2	14.9
8/17/2021	27.6	25.3	0.0	0.0	29.7	0.9
8/18/2021	39.1	39.1	0.0	0.0	30.5	0.4
8/19/2021	25.9	25.6	0.0	0.0	32.6	2.0
8/20/2021	21.5	21.4	0.0	0.0	32.5	1.7
8/21/2021	22.9	22.4	0.0	0.0	28.1	0.5
8/22/2021	23.6	23.3	0.0	0.0	32.7	0.7
8/23/2021	23.2	22.9	0.0	0.0	33.2	1.4
8/24/2021	37.6	39.0	0.0	0.0	41.2	24.4
8/25/2021	44.8	44.6	37.1	37.3	23.0	23.9
8/26/2021	25.6	25.1	0.0	0.0	16.5	16.6
8/27/2021	26.3	26.1	0.0	0.0	15.8	15.5
8/28/2021	25.0	24.8	37.0	37.6	15.8	15.9
8/29/2021	60.2	59.6	36.6	37.1	24.2	25.3
8/30/2021	50.9	52.4	36.9	37.3	31.2	31.2
8/31/2021	39.3	40.3	0.0	0.0	29.0	29.1
9/1/2021	43.9	43.5	40.4	40.5	33.2	33.3
9/2/2021	27.8	27.7	0.0	0.0	15.9	15.9
9/3/2021	27.8	27.3	0.0	0.0	15.2	15.3
9/4/2021	26.7	26.6	0.0	0.0	14.9	15.0
9/5/2021	27.2	26.6	0.0	0.0	13.9	14.0
9/6/2021	28.1	27.5	0.0	0.0	19.3	20.0
9/7/2021	32.8	32.5	0.0	0.0	15.9	17.3
9/8/2021	28.3	27.5	0.0	0.0	14.4	14.6
9/9/2021	28.2	27.5	0.0	0.0	14.3	14.3
9/10/2021	26.8	26.2	0.0	0.0	14.3	14.9
9/11/2021	25.6	25.1	0.0	0.0	12.7	12.7
9/12/2021	27.7	27.5	0.0	0.0	13.3	13.5
9/13/2021	52.9	40.6	69.3	75.6	29.6	29.1
9/14/2021	66.6	58.5	91.1	102.4	30.2	30.4

CBR SWWTP MAXIMUM DAILY FLOWS-MGD						
Date / Time	Force Main		Equalization		Gravity	
	FIT-06-9-1	FIT-06-9-2	FIT-07-9-1	FIT-07-9-2	FIT-05-8-1	FIT-05-8-2
9/15/2021	62.5	59.7	87.0	93.0	28.5	33.9
9/16/2021	63.8	65.8	64.4	70.5	26.7	27.5
9/17/2021	61.0	59.4	0.0	0.0	20.1	20.9
9/18/2021	58.1	56.6	0.0	0.0	31.9	32.3
9/19/2021	37.3	37.6	0.0	0.0	18.1	18.4
9/20/2021	31.9	30.1	17.9	19.0	16.3	16.5
9/21/2021	31.1	57.3	23.8	26.8	22.1	21.3
9/22/2021	0.2	55.6	0.0	0.0	25.5	24.4
9/23/2021	0.9	55.6	0.0	0.0	14.5	29.2
9/24/2021	0.0	55.1	0.0	0.0	0.3	31.5
9/25/2021	3.4	55.3	0.0	0.0	0.4	28.2
9/26/2021	0.0	55.4	0.0	0.0	0.6	28.0
9/27/2021	0.0	55.5	0.0	0.0	0.7	28.7
9/28/2021	0.1	54.7	41.9	51.5	0.3	41.2
9/29/2021	0.0	58.9	79.4	85.6	31.4	41.1
9/30/2021	0.0	57.8	76.3	82.3	21.6	19.1
10/1/2021	82.1	56.3	35.4	36.1	21.2	18.7
10/2/2021	54.0	51.4	36.3	37.1	21.9	21.8
10/3/2021	52.1	49.9	0.0	0.0	23.1	22.0
10/4/2021	32.4	32.8	0.0	0.0	17.4	17.8
10/5/2021	25.4	25.0	10.3	10.4	28.9	29.2
10/6/2021	45.5	44.6	71.9	73.3	24.8	23.9
10/7/2021	28.9	28.8	20.1	19.5	16.3	16.1
10/8/2021	19.7	47.7	0.0	0.0	41.2	13.3
10/9/2021	0.7	43.5	0.0	0.0	41.2	4.5
10/10/2021	1.1	49.5	0.0	0.0	32.9	0.0
10/11/2021	0.6	66.0	0.0	0.0	31.9	0.0
10/12/2021	1.1	46.5	0.0	0.0	33.1	0.0
10/13/2021	0.6	47.4	0.0	0.0	32.2	0.3
10/14/2021	0.6	47.2	0.0	0.0	29.5	0.3
10/15/2021	0.7	42.3	0.0	0.0	26.0	0.2
10/16/2021	0.6	45.0	0.0	0.0	29.7	0.6
10/17/2021	0.6	47.7	0.0	0.0	41.2	0.8
10/18/2021	1.1	82.1	0.0	0.0	25.8	0.6
10/19/2021	0.6	77.6	0.0	0.0	26.9	1.0
10/20/2021	0.6	54.2	0.0	0.0	24.8	0.8
10/21/2021	0.9	51.5	0.0	0.0	24.7	1.0
10/22/2021	0.9	53.4	0.0	0.0	27.1	1.5
10/23/2021	0.9	49.8	0.0	0.0	29.1	1.8
10/24/2021	0.7	54.4	0.0	0.0	29.1	0.8
10/25/2021	0.6	53.2	0.0	0.0	25.3	1.3
10/26/2021	0.7	47.6	0.0	0.0	25.4	0.8
10/27/2021	43.6	43.2	84.5	87.5	25.8	24.5
10/28/2021	41.7	39.5	0.0	0.0	30.4	31.1
10/29/2021	25.6	25.1	0.0	0.0	13.9	13.9
10/30/2021	24.1	23.4	0.0	0.0	13.7	14.2
10/31/2021	23.4	23.0	0.0	0.0	13.2	13.8
11/1/2021	27.0	26.5	0.0	0.0	16.8	17.7
11/2/2021	26.0	25.1	0.0	0.0	13.9	13.9
11/3/2021	25.5	24.7	0.0	0.0	15.8	15.8
11/4/2021	52.2	20.4	0.0	0.0	11.7	27.2
11/5/2021	45.1	2.3	0.0	0.0	0.5	24.2

CBR SWWTP MAXIMUM DAILY FLOWS-MGD						
Date / Time	Force Main		Equalization		Gravity	
	FIT-06-9-1	FIT-06-9-2	FIT-07-9-1	FIT-07-9-2	FIT-05-8-1	FIT-05-8-2
11/6/2021	45.6	1.4	0.0	0.0	0.6	27.4
11/7/2021	49.6	2.0	0.0	0.0	0.3	24.1
11/7/2021	50.1	1.9	0.0	0.0	0.6	25.6
11/8/2021	50.9	1.2	0.0	0.0	0.6	25.5
11/9/2021	47.2	1.3	0.0	0.0	0.3	24.1
11/10/2021	49.2	50.3	0.0	0.0	27.1	22.9
11/11/2021	0.6	44.5	0.0	0.0	25.4	0.1
11/12/2021	0.6	47.8	0.0	0.0	26.1	0.0
11/13/2021	1.0	49.5	0.0	0.0	27.0	0.1
11/14/2021	0.7	49.6	0.0	0.0	25.0	0.1
11/15/2021	1.4	50.1	0.0	0.0	25.3	0.1
11/16/2021	0.6	48.0	0.0	0.0	27.3	0.5
11/17/2021	0.9	46.7	0.0	0.0	25.7	0.6
11/18/2021	0.8	43.7	0.0	0.0	24.5	0.4
11/19/2021	1.0	45.2	0.0	0.0	25.5	0.8
11/20/2021	1.0	46.9	0.0	0.0	27.0	0.7
11/21/2021	28.5	46.5	0.0	0.0	28.0	16.0
11/22/2021	0.6	48.1	0.0	0.0	24.7	1.2
11/23/2021	0.7	55.5	35.9	37.7	41.2	0.6
11/24/2021	28.1	51.5	0.0	0.0	26.3	18.0
11/25/2021	21.8	21.1	0.0	0.0	13.1	13.8
11/26/2021	23.1	22.5	0.0	0.0	12.9	12.7
11/27/2021	44.7	20.2	0.0	0.0	13.5	25.4
11/28/2021	47.1	1.4	0.0	0.0	0.2	29.0
11/29/2021	46.4	2.3	0.0	0.0	0.6	26.8
11/30/2021	45.8	1.4	0.0	0.0	0.7	24.5
12/1/2021	47.8	1.2	0.0	0.0	0.4	27.6
12/2/2021	61.5	1.8	91.9	83.2	0.6	25.8
12/3/2021	56.7	1.3	0.0	0.0	0.7	28.2
12/4/2021	56.0	1.4	0.0	0.0	0.4	27.1
12/5/2021	74.8	58.2	82.8	74.9	30.3	30.8
12/6/2021	66.3	64.1	24.9	28.5	28.0	28.1
12/7/2021	54.6	53.9	0.0	0.0	29.9	30.5
12/8/2021	28.2	27.3	0.0	0.0	15.8	20.0
12/9/2021	29.8	29.4	0.0	32.0	14.8	14.4
12/10/2021	33.2	33.7	0.0	0.0	14.2	14.7
12/11/2021	25.5	25.0	0.0	0.0	12.8	12.4
12/12/2021	29.5	30.2	0.0	38.8	12.5	13.2
12/13/2021	29.5	30.4	52.6	4.4	12.4	12.1
12/14/2021	29.4	30.2	50.5	8.9	12.8	12.7
12/15/2021	29.1	29.9	0.0	1.4	13.1	12.9
12/16/2021	23.6	22.9	0.0	1.3	33.3	15.9
12/17/2021	61.7	57.6	52.1	95.0	29.7	29.5
12/18/2021	54.4	54.0	0.0	0.0	28.6	28.8
12/19/2021	24.1	23.2	0.0	0.0	16.0	15.9
12/20/2021	23.8	22.7	0.0	0.0	16.1	16.0
12/21/2021	23.7	22.7	0.0	0.0	19.0	18.1
12/22/2021	29.0	55.3	42.8	43.8	28.6	17.7
12/23/2021	0.6	47.1	0.0	0.0	27.6	0.2
12/24/2021	0.7	43.3	0.0	0.0	26.3	0.1
12/25/2021	0.8	47.6	0.0	0.0	25.7	0.3
12/26/2021	0.7	50.1	0.0	0.0	25.5	0.3

CBR SWWTP MAXIMUM DAILY FLOWS-MGD						
Date / Time	Force Main		Equalization		Gravity	
	FIT-06-9-1	FIT-06-9-2	FIT-07-9-1	FIT-07-9-2	FIT-05-8-1	FIT-05-8-2
12/27/2021	0.8	71.6	0.0	0.0	25.7	0.4
12/28/2021	0.5	62.3	0.0	0.0	26.6	0.5
12/29/2021	0.7	43.5	0.0	0.0	38.4	0.4
12/30/2021	0.8	45.2	0.0	0.0	25.3	0.5
12/31/2021	0.8	43.5	0.0	0.0	22.6	0.7
1/1/2022	0.8	43.5	0.0	0.0	22.6	0.7
1/2/2022	0.6	82.1	0.0	0.0	31.9	1.7
1/3/2022	0.6	46.2	0.0	0.0	25.5	1.6
1/4/2022	0.7	47.7	0.0	0.0	25.2	1.7
1/5/2022	0.9	46.9	0.0	0.0	26.3	1.6
1/6/2022	0.8	51.4	0.0	0.0	27.1	0.9
1/7/2022	0.5	47.6	0.0	0.0	24.7	0.8
1/8/2022	0.9	47.8	0.0	0.0	23.9	0.8
1/9/2022	1.1	82.1	0.0	0.0	26.8	0.8
1/10/2022	0.3	51.8	0.0	0.0	28.2	1.3
1/11/2022	0.6	47.0	0.0	0.0	25.6	1.2
1/12/2022	0.6	50.1	0.0	0.0	27.0	1.3
1/13/2022	0.7	50.4	0.0	0.0	26.5	2.4
1/14/2022	0.7	47.9	0.0	0.0	24.5	2.3
1/15/2022	0.8	53.1	0.0	0.0	26.5	2.0
1/16/2022	0.7	50.0	0.0	0.0	27.5	2.6
1/17/2022	0.7	45.6	0.0	0.0	27.1	2.8
1/18/2022	0.8	42.5	0.0	0.0	27.3	1.6
1/19/2022	1.1	45.5	0.0	0.0	25.9	2.8
1/20/2022	0.7	46.6	0.0	0.0	28.6	1.8
1/21/2022	0.6	54.7	0.0	0.0	26.3	1.4
1/22/2022	0.4	54.8	0.0	0.0	26.4	2.2
1/23/2022	0.4	55.0	0.0	0.0	26.4	1.5
1/24/2022	0.4	52.1	42.2	38.1	27.7	2.1
1/25/2022	45.1	68.1	0.0	0.0	41.2	17.8
1/26/2022	23.7	23.1	0.0	0.0	13.9	17.2
1/27/2022	24.1	23.3	0.0	0.0	13.5	14.8
1/28/2022	21.9	21.6	0.0	0.0	13.7	15.7
1/29/2022	23.6	23.1	0.0	0.0	14.1	14.8
1/30/2022	25.2	24.1	0.0	0.0	12.8	13.2
1/31/2022	23.3	22.8	0.0	0.0	13.5	14.1
2/1/2022	29.5	28.4	0.0	0.0	28.7	29.1
2/2/2022	25.5	24.4	40.0	40.7	14.8	15.0
2/3/2022	41.9	39.1	50.8	46.8	21.7	22.4
2/4/2022	45.3	43.2	47.5	40.3	17.0	17.7
2/5/2022	24.9	24.2	0.0	0.0	15.4	15.5
2/6/2022	25.3	24.5	0.0	0.0	13.9	14.4
2/7/2022	18.0	49.3	0.0	0.0	27.9	13.4
2/8/2022	0.7	48.7	0.0	0.0	26.4	0.2
2/9/2022	0.5	49.1	0.0	0.0	27.4	0.0
2/10/2022	0.5	48.4	0.0	0.0	26.5	0.1
2/11/2022	0.7	46.0	0.0	0.0	26.3	0.2
2/12/2022	0.7	46.6	0.0	0.0	26.1	0.0
2/13/2022	0.6	49.8	0.0	0.0	27.8	0.2
2/14/2022	0.6	71.7	40.6	38.0	27.4	0.2
2/15/2022	1.2	50.5	0.0	0.0	26.1	0.2
2/16/2022	0.6	45.4	0.0	0.0	27.2	0.7

CBR SWWTP MAXIMUM DAILY FLOWS-MGD						
Date / Time	Force Main		Equalization		Gravity	
	FIT-06-9-1	FIT-06-9-2	FIT-07-9-1	FIT-07-9-2	FIT-05-8-1	FIT-05-8-2
2/17/2022	24.4	39.2	0.0	0.0	26.1	18.0
2/18/2022	41.4	15.8	0.0	0.0	13.5	24.7
2/19/2022	45.7	1.4	0.0	0.0	0.5	25.3
2/20/2022	49.8	1.9	0.0	0.0	0.5	24.0
2/21/2022	54.8	1.9	0.0	0.0	0.2	25.2
2/22/2022	46.7	1.2	0.0	0.0	0.6	25.9
2/23/2022	47.0	1.7	0.0	0.0	0.9	41.2
2/24/2022	44.1	1.5	0.0	0.0	0.3	26.9
2/25/2022	73.6	40.6	0.0	0.0	15.2	40.6
2/26/2022	22.9	22.1	0.0	0.0	14.9	14.8
2/27/2022	23.4	46.0	0.0	0.0	24.9	14.2
2/28/2022	0.8	41.9	0.0	0.0	25.4	0.0
3/1/2022	0.6	44.5	0.0	0.0	27.1	0.2
3/2/2022	0.7	44.5	0.0	0.0	25.5	0.2
3/3/2022	82.1	82.0	0.0	0.0	41.1	40.8
3/4/2022	0.8	46.3	0.0	0.0	25.4	0.1
3/5/2022	0.8	41.1	0.0	0.0	24.5	0.2
3/6/2022	0.6	50.2	0.0	0.0	25.7	0.0
3/7/2022	0.6	46.9	0.0	0.0	26.1	0.1
3/8/2022	0.8	45.3	0.0	0.0	24.2	0.2
3/9/2022	0.7	45.9	0.0	0.0	26.2	0.1
3/10/2022	44.1	44.5	0.0	0.0	24.5	22.3
3/11/2022	23.4	31.1	0.0	0.0	25.8	0.7
3/12/2022	21.4	52.0	49.4	0.0	23.5	0.2
3/13/2022	0.0	54.7	54.0	0.0	24.1	0.3
3/14/2022	28.2	50.4	0.0	0.0	24.6	0.6
3/15/2022	60.4	56.7	57.1	75.0	28.4	30.5
3/16/2022	39.7	55.1	38.5	0.0	28.4	27.3
3/17/2022	43.8	53.9	18.5	30.3	23.2	13.9
3/18/2022	23.8	23.2	0.0	0.0	14.0	15.0
3/19/2022	19.9	55.0	43.0	23.9	27.1	12.2
3/20/2022	11.5	54.8	46.1	0.0	27.5	0.0
3/21/2022	11.3	55.6	44.8	0.0	26.7	0.1
3/22/2022	72.0	62.3	43.7	44.2	30.2	30.8
3/23/2022	29.3	48.5	18.4	18.2	30.1	22.5
3/24/2022	0.5	45.4	0.0	0.0	27.0	0.0
3/25/2022	0.5	48.5	0.0	0.0	25.0	0.0
3/26/2022	0.6	46.7	0.0	0.0	28.0	0.1
3/27/2022	1.1	49.2	0.0	0.0	24.8	0.3
3/28/2022	0.9	51.2	0.0	0.0	23.7	0.1
3/29/2022	0.4	59.4	39.3	39.3	25.9	0.4
3/30/2022	39.6	43.9	75.4	80.2	27.1	29.5
3/31/2022	38.9	36.3	0.0	0.0	16.6	16.8
4/1/2022	27.7	26.4	0.0	0.0	12.7	12.7
4/2/2022	25.0	24.0	0.0	0.0	13.8	14.3
4/3/2022	25.0	23.9	0.0	0.0	14.2	14.8
4/4/2022	25.3	24.1	0.0	0.0	14.1	14.2
4/5/2022	41.2	38.3	43.7	45.7	21.2	22.2
4/6/2022	26.8	26.7	0.0	0.0	14.2	14.4
4/7/2022	24.6	24.0	0.0	0.0	11.9	12.4
4/8/2022	25.4	24.5	0.0	0.0	14.3	14.8
4/9/2022	24.3	23.4	0.0	0.0	14.4	14.4

CBR SWWTP MAXIMUM DAILY FLOWS-MGD						
Date / Time	Force Main		Equalization		Gravity	
	FIT-06-9-1	FIT-06-9-2	FIT-07-9-1	FIT-07-9-2	FIT-05-8-1	FIT-05-8-2
4/10/2022	81.9	54.6	50.1	0.0	26.4	11.6
4/11/2022	0.0	54.0	2.5	0.0	26.9	0.0
4/12/2022	81.9	82.0	102.9	50.9	27.9	22.7
4/13/2022	63.1	58.3	93.2	87.9	27.2	27.5
4/14/2022	56.4	51.8	78.7	75.6	24.4	25.4
4/15/2022	27.6	26.5	0.0	0.0	14.5	14.5
4/16/2022	30.6	28.7	0.0	0.0	13.7	13.9
4/17/2022	26.7	25.6	0.0	0.0	12.8	13.8
4/18/2022	51.6	24.5	0.0	0.0	14.2	25.6
4/19/2022	48.6	1.0	0.0	0.0	0.6	26.4
4/20/2022	51.3	1.6	0.0	0.0	0.3	24.5
4/21/2022	49.8	1.1	0.0	0.0	0.6	25.1
4/22/2022	50.1	1.1	0.0	0.0	0.7	24.8
4/23/2022	50.1	1.0	0.0	0.0	0.3	25.6
4/24/2022	56.2	1.2	0.0	0.0	0.5	30.3
4/25/2022	45.8	24.2	0.0	0.0	13.4	27.5
4/26/2022	48.1	18.0	0.0	0.0	11.4	29.2
4/27/2022	45.6	1.6	0.0	0.0	31.1	22.4
4/28/2022	51.1	2.0	23.9	0.4	30.3	1.5
4/29/2022	40.6	75.1	0.0	0.0	32.1	0.1
4/30/2022	1.0	44.2	0.0	0.0	27.8	0.2
5/1/2022	0.6	82.0	0.0	0.0	37.4	0.2
5/2/2022	81.3	45.4	0.0	0.0	21.7	28.9
5/3/2022	52.3	1.5	0.0	0.0	0.3	27.8
5/4/2022	44.1	1.1	0.0	0.0	32.4	26.1
5/5/2022	74.1	35.2	43.9	36.1	30.5	2.5
5/6/2022	81.9	33.2	80.6	71.8	41.0	17.1
5/7/2022	27.5	48.5	0.0	0.0	25.3	15.3
5/8/2022	0.6	45.0	0.0	0.0	25.4	1.1
5/9/2022	0.5	51.5	0.0	0.0	29.8	0.9
5/10/2022	0.5	51.0	0.0	0.0	25.9	0.9
5/11/2022	54.2	35.9	0.0	0.0	22.0	25.9
5/12/2022	50.5	2.4	0.0	0.0	0.5	24.8
5/13/2022	58.4	46.1	36.0	14.3	23.1	25.7
5/14/2022	26.5	39.7	0.0	0.0	24.7	15.2
5/15/2022	0.7	46.4	0.0	0.0	25.5	0.1
5/16/2022	0.5	45.2	0.0	0.0	41.0	0.1
5/17/2022	0.5	47.1	0.0	0.0	25.0	0.7
5/18/2022	0.5	47.5	0.0	0.0	24.5	0.1
5/19/2022	0.5	43.4	0.0	0.0	25.0	0.1
5/20/2022	0.5	43.6	0.0	0.0	27.1	1.1
5/21/2022	40.5	41.0	0.0	0.0	23.9	15.4
5/22/2022	49.4	46.9	83.7	87.6	28.0	28.4
5/23/2022	53.7	50.3	74.2	82.4	25.0	25.2
5/24/2022	45.5	41.4	71.2	77.1	24.6	25.0
5/25/2022	49.1	48.3	37.1	38.7	19.6	20.5
5/26/2022	26.8	25.7	0.0	0.0	15.2	15.2
5/27/2022	25.5	24.9	0.0	0.0	14.2	14.7
5/28/2022	41.7	41.6	0.0	0.0	17.0	16.8
5/29/2022	25.1	23.9	0.0	0.0	12.5	13.0
5/30/2022	24.1	23.5	0.0	0.0	13.7	13.8
5/31/2022	43.6	40.3	29.2	29.0	16.6	16.7

CBR SWWTP MAXIMUM DAILY FLOWS-MGD						
Date / Time	Force Main		Equalization		Gravity	
	FIT-06-9-1	FIT-06-9-2	FIT-07-9-1	FIT-07-9-2	FIT-05-8-1	FIT-05-8-2
6/1/2022	40.0	36.9	0.0	0.0	29.3	29.8
6/2/2022	33.4	31.9	46.3	46.9	23.6	22.5
6/3/2022	40.7	39.4	37.4	38.1	16.7	16.6
6/4/2022	26.2	25.1	0.0	0.0	12.7	12.5
6/5/2022	27.4	26.0	0.0	0.0	13.2	13.5
6/6/2022	27.4	26.2	0.0	0.0	17.2	17.3
6/7/2022	29.4	28.5	0.0	0.0	13.5	13.6
6/8/2022	44.7	18.3	0.0	0.0	11.8	26.6
6/9/2022	46.6	1.4	0.0	0.0	0.7	26.9
6/10/2022	40.3	26.5	0.0	0.0	14.6	28.3
6/11/2022	26.8	25.6	0.0	0.0	12.4	12.6
6/12/2022	27.6	27.7	0.0	0.0	12.4	12.2
6/13/2022	25.3	24.1	0.0	0.0	12.3	12.2
6/14/2022	23.0	22.3	0.0	0.0	13.7	13.5
6/15/2022	25.1	24.2	0.0	0.0	12.2	12.4
6/16/2022	35.1	33.7	45.1	0.6	29.3	30.2
6/17/2022	51.2	19.6	1.6	0.0	13.2	26.5
6/18/2022	50.4	1.1	0.0	0.0	0.6	27.3
6/19/2022	49.0	1.2	0.0	0.0	0.6	25.5
6/20/2022	81.9	1.2	0.0	0.0	0.6	24.1
6/21/2022	56.1	1.0	0.0	0.0	0.6	23.0
6/22/2022	45.8	0.9	0.0	0.0	0.7	26.4
6/23/2022	43.9	0.9	0.0	0.0	0.7	25.4
6/24/2022	42.6	1.2	0.0	0.0	0.6	24.0
6/25/2022	75.8	1.1	34.3	0.0	0.7	26.9
6/26/2022	51.5	43.5	44.0	7.9	28.4	29.1
6/27/2022	45.2	48.3	38.8	6.2	21.7	23.2
6/28/2022	66.3	39.0	18.0	0.0	14.5	28.0
6/29/2022	62.5	0.8	22.1	0.0	0.7	27.4
6/30/2022	45.6	22.4	0.0	0.0	17.1	22.9
7/1/2022	38.4	35.3	0.0	0.0	14.0	14.4
7/2/2022	26.9	25.7	0.0	0.0	16.8	16.6
7/3/2022	27.3	26.9	17.9	0.0	23.2	22.5
7/4/2022	27.2	25.7	0.0	0.0	13.6	13.9
7/5/2022	34.5	33.4	42.1	41.9	23.2	22.1
7/6/2022	55.9	51.1	78.4	81.2	21.7	22.6
7/7/2022	40.5	40.1	9.8	11.9	16.9	17.2
7/8/2022	30.3	28.9	0.0	0.0	25.1	24.3
7/9/2022	24.9	24.2	0.0	0.0	15.8	16.5
7/10/2022	24.3	23.5	0.0	0.0	17.1	17.2
7/11/2022	24.2	22.9	0.0	0.0	18.6	19.2
7/12/2022	36.9	36.2	0.0	0.0	24.8	23.7
7/13/2022	27.6	26.5	0.0	0.0	22.3	21.1
7/14/2022	26.6	25.5	0.0	0.0	16.9	17.4
7/15/2022	61.6	54.7	54.1	55.9	22.4	21.5
7/16/2022	51.3	47.0	0.0	0.0	17.5	17.2
7/17/2022	42.2	39.1	0.0	0.0	17.0	17.4
7/18/2022	42.5	39.7	0.0	0.0	17.0	17.0
7/19/2022	25.9	24.8	0.0	0.0	13.1	13.6
7/20/2022	26.5	25.5	0.0	0.0	17.0	16.8
7/21/2022	23.1	22.4	0.0	0.0	14.8	15.5
7/22/2022	67.4	62.6	67.7	59.5	23.3	22.9

CBR SWWTP MAXIMUM DAILY FLOWS-MGD						
Date / Time	Force Main		Equalization		Gravity	
	FIT-06-9-1	FIT-06-9-2	FIT-07-9-1	FIT-07-9-2	FIT-05-8-1	FIT-05-8-2
7/23/2022	40.0	49.4	0.0	0.0	17.5	17.5
7/24/2022	42.1	39.3	0.0	0.0	19.9	20.9
7/25/2022	49.9	47.2	0.0	0.0	17.7	17.4
7/26/2022	52.8	50.9	43.5	45.1	15.5	16.2
7/27/2022	27.6	26.6	36.0	36.8	17.3	17.1
7/28/2022	32.0	30.4	69.7	72.9	22.6	21.4
7/29/2022	29.8	28.4	21.1	22.3	22.4	21.2
7/30/2022	35.1	32.6	73.2	79.1	13.7	14.8
7/31/2022	38.6	36.2	0.0	0.0	17.4	17.3
8/1/2022	27.4	26.1	0.0	0.0	22.5	21.1
8/2/2022	41.8	40.8	38.6	37.7	22.6	21.4
8/3/2022	46.2	35.8	98.2	103.6	23.1	21.7
8/4/2022	42.6	40.5	22.2	21.5	22.5	21.5
8/5/2022	40.1	38.1	0.0	0.0	23.4	22.4
8/6/2022	40.0	38.1	0.0	0.0	23.3	21.9
8/7/2022	39.7	37.7	0.0	0.0	14.4	14.5
8/8/2022	39.5	37.0	0.0	0.0	14.8	14.6
8/9/2022	39.3	36.6	0.0	0.0	15.5	16.0
8/10/2022	39.0	36.2	0.0	0.0	23.6	22.7
8/11/2022	43.3	39.0	93.0	95.3	27.3	27.8
8/12/2022	40.2	37.1	22.8	25.0	21.1	22.2
8/13/2022	40.2	37.7	32.0	33.3	15.0	15.3
8/14/2022	48.8	24.9	0.0	0.0	14.7	26.6
8/15/2022	50.9	0.9	0.0	0.0	0.5	27.9
8/16/2022	51.1	1.0	0.0	0.0	0.3	27.8
8/17/2022	50.2	1.3	0.0	0.0	0.5	31.7
8/18/2022	67.6	1.1	22.2	22.1	0.7	27.1
8/19/2022	70.8	39.1	34.1	34.2	19.9	39.1
8/20/2022	52.3	46.8	65.5	75.8	29.4	31.7
8/21/2022	41.2	40.3	24.3	24.4	22.6	24.1
8/22/2022	45.4	41.8	36.0	36.2	22.8	24.1
8/23/2022	55.3	51.1	42.9	43.1	22.1	23.0
8/24/2022	55.3	52.7	43.8	44.6	30.9	32.3
8/25/2022	44.7	42.8	0.0	0.0	23.7	25.0
8/26/2022	39.9	38.1	0.0	0.0	16.1	16.3
8/27/2022	28.8	28.7	0.0	0.0	21.8	22.9
8/28/2022	28.9	28.3	0.0	0.0	22.6	23.7
8/29/2022	26.1	25.1	0.0	0.0	16.3	16.4
8/30/2022	40.5	38.7	0.0	0.0	15.2	15.0
8/31/2022	49.9	26.2	0.0	0.0	16.6	30.7
9/1/2022	48.4	1.3	0.0	0.0	0.3	26.0
9/2/2022	43.2	0.7	0.0	0.0	0.7	26.5
9/3/2022	81.9	58.3	102.9	103.6	25.5	40.9
9/4/2022	43.6	42.1	0.0	0.0	16.7	17.3
9/5/2022	28.8	47.0	0.0	0.0	15.0	14.9
9/6/2022	26.6	25.9	0.0	0.0	23.1	23.5
9/7/2022	49.0	46.8	0.0	0.0	13.4	13.4
9/8/2022	39.9	37.5	0.0	0.0	21.4	22.3
9/9/2022	41.8	39.0	19.9	19.2	14.6	16.7
9/10/2022	27.0	26.0	0.0	0.0	13.0	14.2
9/11/2022	25.9	25.1	0.0	0.0	13.6	15.4
9/12/2022	25.9	25.5	0.0	0.0	13.7	13.5

Request for Proposal No. 20008-A22-10

Operations and Maintenance Services for the Wastewater Treatment Facilities

Addendum No. 6

September 16, 2022

Attachment 6B



SWWTP Wet Weather Operations

1.0 **BACKGROUND**

A description of preparation and operations during wet weather conditions.

NOTE: If at any time, a status is not known for any process equipment, or conditions change and a path forward is not known, immediately contact the Plant Manager or other management staff to discuss options and corrective actions. A status of out of service equipment should be provided to the Plant Manager so that all management personnel are aware of the plant's condition prior to wet weather events. If you are unsure of what to do, immediately notify plant supervision to discuss.

2.0 **Preparations for Wet Weather Operations**

2.01 **Influent pump stations**

A. *Gravity Influent Pump Station*

- a. Verify number of pumps ready for operations
- b. Open the air release valves drain on all available pumps to verify pump is primed, close drain valve, and test run for operation
- c. Verify pumps left in Remote and Auto and valve setup is ready for operations
- d. If equipment is out of service or status is not know, contact the Plant Manager to verify status.
- e. Open all available wet wells to prepare station for service

B. *Force main and Equalization Pump Station*

- a. Verify number of pumps ready for operations
- b. Open the air release valves drain on all available pumps to verify pump is primed, close drain valve, and test run for operation
- c. Verify pumps left in Remote and Auto and valve setup is ready for operations
- d. If equipment is out of service or status is not know, contact the Plant Manager to verify status.
- e. Open all available wet wells to prepare station for service

2.02 **Preliminary Treatment Facility**

A. *Drum Screens and Brush Screens*

- a. Manually verify operation of drum screen, brush screen, and brush screen conveyor
- b. Clean wash water wye strainer and verify sufficient pressure for cleaning (30-40 psi)

- c. Verify brush clearance is sufficient for cleaning on brush screen and clean brushes and drain baskets
- B. *Grit Chambers and classifiers*
 - a. Verify operation of grit chambers, grit pumps, and grit classifiers.
 - b. Observe operation of each and notify maintenance and supervisors of any issues
 - c. Verify grit pump is discharging to classifier and classifier is discharging to conveyor. Listen for any unusual noises that may indicate potential issues
- C. *Grit conveyors*
 - a. Verify proper operation of all conveyors
 - b. Visually confirm screws are turning along the whole length of the conveyor body and there are no damaged wear liners
 - c. Verify hanger bearings are not damaged on grit classifier conveyors
 - d. Verify operation of truck load conveyors and gates

2.02 Primary Settling Tanks

- a. Verify number of units available for operations. Discuss with Plant Manager to determine if any out of service units are still available for hydraulic use.
- b. Review number of units in service to determine process capacity. Refer to process capacities to determine flow scheme cutoffs.

2.03 Biological Secondary Treatment

- A. *Trickling Filters*
 - a. Review number of units in service to determine process capacity. Refer to process capacities to determine flow scheme cutoffs.
- B. *Trickling Filter Pump Station*
 - a. Verify number of pumps ready for operations
 - b. Cycle through the Trickling Filter Effluent Pumps to verify the process capacity
- C. *Solids Contact Basin*
 - a. Verify number of snail screens and ancillary equipment available for service to determine flow scheme cutoffs
 - b. Verify number of contact basins in service
 - c. Verify number of blowers available for use
- D. *Flow Scheme Control Valves*

- a. Verify the two preliminary treatment bypass control valves operate fully open and closed, leave in Remote
- b. Verify the trickling filter effluent modulating valve operates fully open and closed, leave in Remote
- c. When performing valve exercising, be aware of downstream and upstream effects and ensure flow path is not restricted

2.04 Secondary Sedimentation

A. *Final Settling Tanks*

- a. Verify number of units available for operation at FST 1-4 and check with Plant Manager to determine if out of service units are available for hydraulic use
- b. Verify number of units available for operation at FST 5-12 and check with Plant Manager to determine if out of service units are available for hydraulic use. Units which do not have a Return Activated Sludge pump should not be used to treat Solids Contact Basin Effluent
- c. Verify that Return Activated Sludge pumps work in Remote and are in automatic control for flow pacing
- d. Verify the correct number of gates are open for the number of units in service

2.05 Disinfection

- a. Verify the sodium hypochlorite tanks have sufficient levels, notify Plant Manager of any deficiencies
- b. Verify sodium hypochlorite feed pumps and induction mixer are operable and in automatic

2.06 Effluent Pump Station

- a. Verify number of pumps available for operations and any process restrictions
- b. Clean seal water strainers if possible
- c. Test available pumps and verify proper operation
- d. Ensure all controls are in auto and remote
- e. Check valve configurations so that both wet wells are open and both discharge outfalls are open and isolated between the East and West pumps
- f. Verify operation of yard water pumps strainer

2.07 Backup Power

- a. Check with Plant Electrical and Instrumentation Supervisor for status on system
- b. Verify no alarms are present on the generators and all systems are in auto and ready for operation. Ensure diesel capacity is at 70% or more on all generators

3.0 Wet Weather Operations

Once the plant has been inspected for available equipment, reference the design capacities of each process area to determine the limiting factors, if any, for hydraulic loading in the plant. Refer to Attachment 1 and the descriptions/figures in this section to determine which component will restrict the flow capacities in each flow scheme. The component with the smallest flow capacity will dictate the maximum treatment flows for the plant depending on the scheme in use.

Process Area	Peak Duty	Standby	Capacity Each (MGD)	Total Capacity (MGD)
Gravity Influent Pump Station	4	1	16	80
Force Main Pump Station	5	1	27	135
Force Main Equalization Pump Station	5	1	33	165
Equalization Storage	4	0		66
Drum Screens	5	1	42	210
Primary Settling Tank	6	0	20	120
Trickling Filter Recycle Pumps	3	1	40	120
Trickling Filter Effluent Pumps	5	1	24	120
TF 1-4	4	0	10	40
TF 5-8	4	0	20	80
Snail Screens	2	0	60	120
SCB	4	0	21.25	85
FST 1-4	4	0	13.75	55
FST 5-8	4	0	16.25	65
FST 9-12	4	0	21.25	85
CCB 1	2	0	60	120
CCB 2	2	0	42.5	85
Effluent Pump Station	8	1	25	200

3.01 Scheme A: Normal Operating Mode

When all process equipment is in service, Scheme A is used with up to 120 MGD of influent into the plant. In Scheme A, influent flow is processed at the preliminary treatment facility before being directed to the primary settling tanks. The primary effluent is directed to the trickling filter pump station which routes the flows to trickling filter 1-8. The trickling filter effluent then flows to the solids contact basin with a small side stream feeding final settling tank 1-4 to keep the units active. The solids contact basin effluent is split between final settling tank 5-12. The effluent from final settling tank 5-12 flows to chlorine contact basin 2, while the effluent from final settling tank 1-8 is treated in chlorine contact basin 1. The effluent from the chlorine contact basins is combined before being discharged by the final effluent pump station to the river.

In Scheme A, the major limiting factors are the three major pump stations, the preliminary treatment, and the primary treatment.

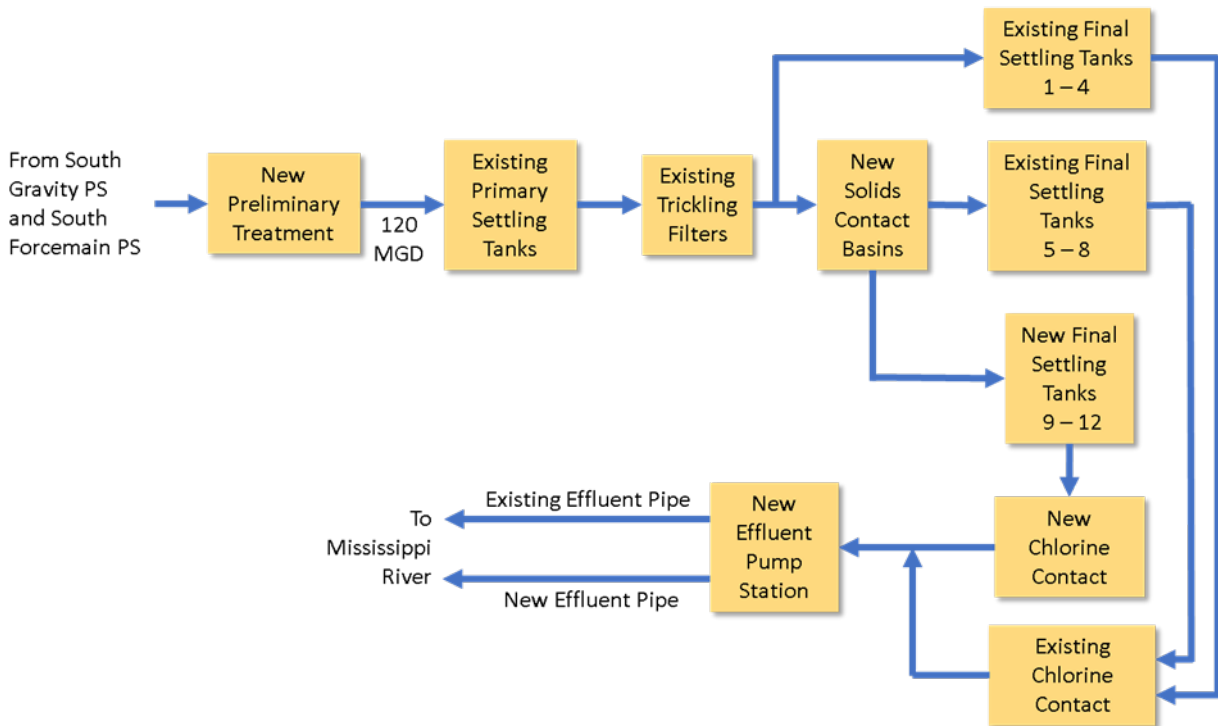


Figure 1. Normal Operating Mode: Scheme A

3.02 Scheme B- Intermediate Mode

When all process equipment is in service, Scheme B is used with up to 150 MGD of influent into the plant. In Scheme B, influent flow is processed at the preliminary treatment facility before being directed to the primary settling tanks. The primary effluent is directed to the trickling filter pump station which routes the flows to trickling filter 1-8. The trickling filter effluent then flows to the solids contact basin with a larger side stream feeding final settling tank 1-4 to keep the units active. The 30 MGD of bypass flow is added from the preliminary treatment facility to the solids contact basin, and the balance is redirected from the trickling filter effluent to final settling tank 1-4. The solids contact basin effluent is split between final settling tank 5-12. The effluent from final settling tank 5-12 flows to chlorine contact basin 2, while the effluent from final settling tank 1-8 is treated in chlorine contact basin 1. The effluent from the chlorine contact basins is combined before being discharged by the final effluent pump station to the river.

Scheme B is not often used as the flow increase is typically large enough to justify direct configuration into Scheme C. In Scheme B, the major limiting factors are the three major pump stations, the preliminary treatment, the primary treatment, and final settling tank 1-4.

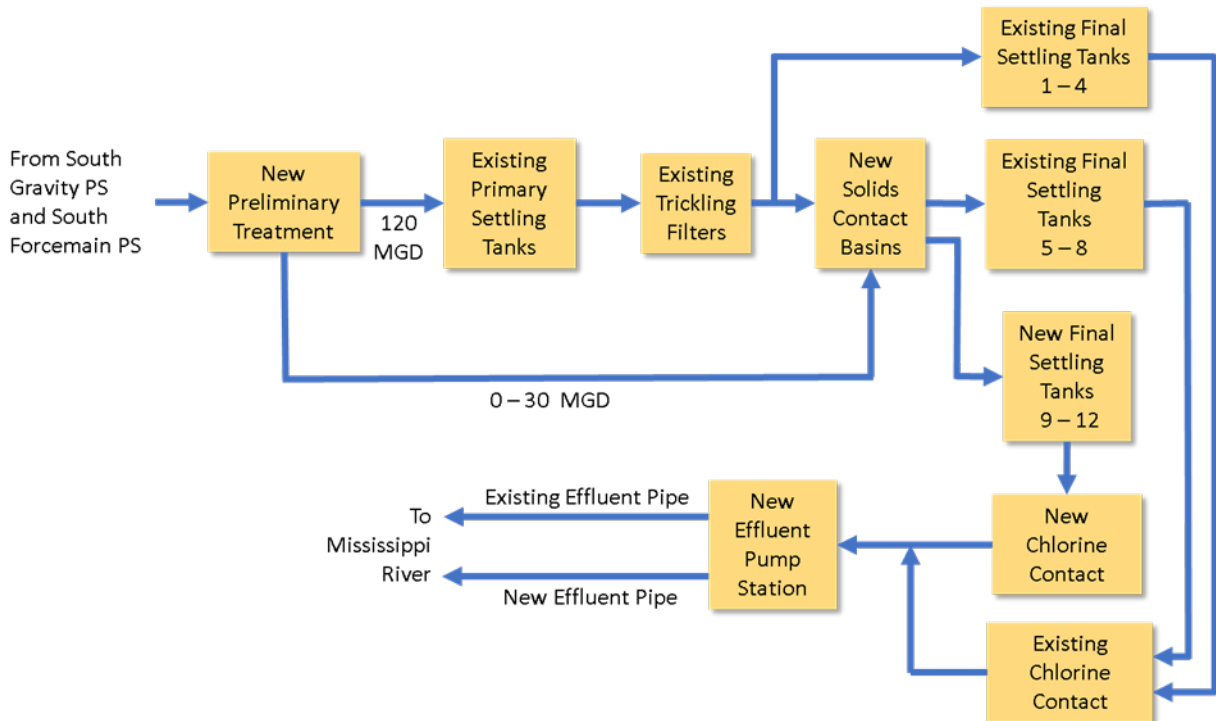


Figure 2. Intermediate Operating Mode- Scheme B

3.03 Scheme C- High Flow Wet Weather Mode

When all process equipment is in service, Scheme C is used with up to 205 MGD of influent into the plant. In Scheme C, influent flow is processed at the preliminary treatment facility before bypassing 85 MGD to the solids contact basin and 120 MGD being directed to the primary settling tanks. The primary effluent is sent to the trickling filter pump station which routes the flows to trickling filter 1-8. The trickling filter effluent then flows to the splitter box sending flow to final settling tanks 1-8. The solids contact basin effluent is split between final settling tank 9-12. The effluent from final settling tank 9-12 flows to chlorine contact basin 2, while the effluent from final settling tank 1-8 is treated in chlorine contact basin 1. The effluent from the chlorine contact basins is combined before being discharged by the final effluent pump station to the river.

In Scheme C, any process unit with components out of service beyond design duty levels will impact the plants ability to treat peak flows.

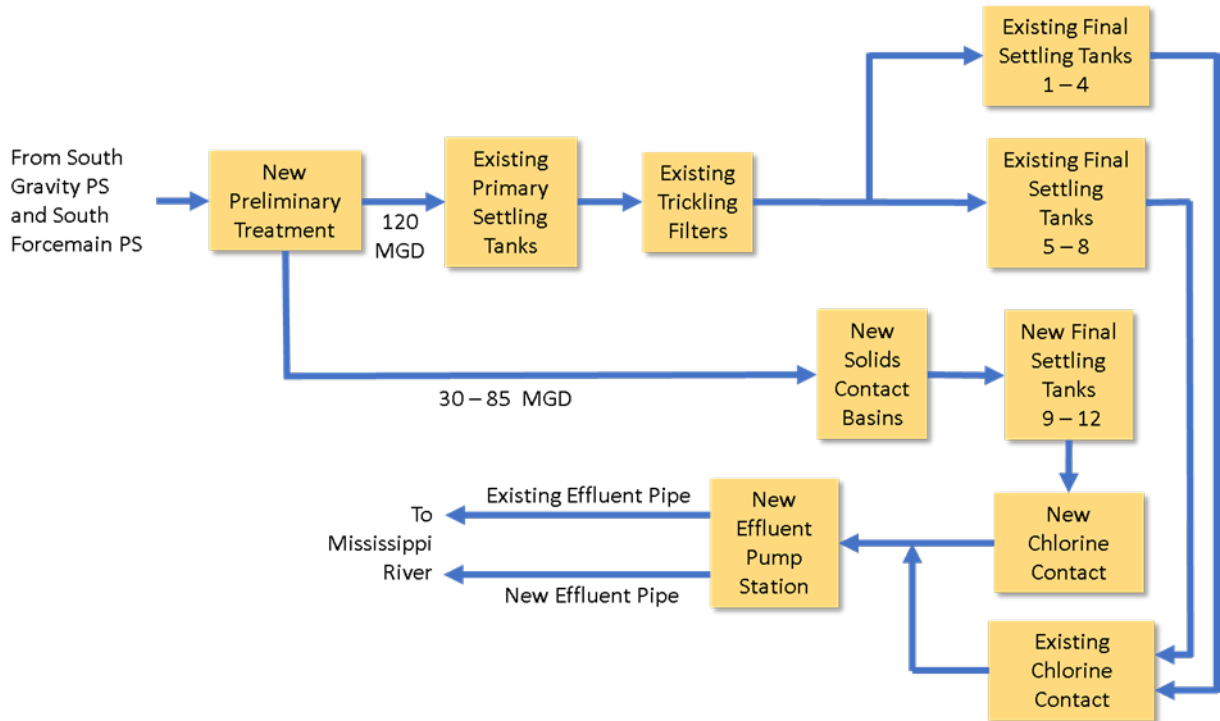


Figure 3. High Flow Wet Weather Mode- Scheme C