



# JEFFERSON PARISH

## DEPARTMENT OF PURCHASING

CYNTHIA LEE SHENG  
PARISH PRESIDENT

RENNY SIMNO  
DIRECTOR

April 13, 2021

**ADDENDUM # 1**

**Bid Number: 50-00133710**

**Bid Opening Date: April 15, 2021**  
**Postponed Bid Opening Date to: April 27, 2021**

**Description of Bid: ONE-TIME PURCHASE OF VARIOUS ELECTRICAL SUPPLIES, DAMAGED DURING HURRICANE ZETA, FOR THE JEFFERSON PARISH DEPARTMENT OF PARKS AND RECREATION, TERRYTOWN PLAYGROUND**

---

**BID OPENING DATE HAS BEEN POSTPONED TO: April 27, 2021, 2:00 PM**

**CLARIFICATION OF SPECIFICATIONS:**

**Specification sheet for item number 4 (0040) is attached.**

**Questions & Answers:**

**Q1:** Please clarify model number and manufacturer for item number 4 (0040) 750 W 480V Spotlight.

**A1:** Manufacturer: ESL Vision, Part Number: ESL-SPT-600W-150-HV-15

**Q2:** Looks like it's the area light for item number 4 (0040), but I need to know watts/lumens and color.

**A2:** Efficacy (lm/W): 150 Lumens per Watt, Black

**Q3:** In regards to item number 4 (0040), do you need 12 of the light and the mount?

**A3:** Yes, the mount is included in item number 4 (0040).

**Q4:** Need to know if item number 5 (0050) is a main lug or a main breaker panel and what would the main breaker amperage be?

**A4:** Main lug, 100 Amps

**Q5:** Please confirm the Voltage on the panel is 208V or 480V for item number 5 (0050)?

**A5:** It is a 600 Volt panel as indicated in description for item number 5 (0050).

Sincerely,

*Melissa Ovalle*  
\_\_\_\_\_  
Melissa Ovalle  
Buyer II

GENERAL GOVERNMENT BLDG. – 200 DERBIGNY ST., SUITE 4400, GRETNA, LA 70053  
OFFICE 504.364.2678

JOSEPH S. YENNI BLDG. – 1221 ELMWOOD PARK BLVD., SUITE 404, JEFFERSON, LA 70123  
OFFICE 504.364.2678

EMAIL: PURCHASING@JEFFPARISH.NET WEBSITE: WWW.JEFFPARISH.NET



# JEFFERSON PARISH

## DEPARTMENT OF PURCHASING

CYNTHIA LEE SHENG  
PARISH PRESIDENT

RENNY SIMNO  
DIRECTOR

**Bidders must acknowledge all addenda on the bid form. Bidder acknowledges receipt of this addendum on the bid form by indicating the addendum number listed above. Failure to list each addenda number on the bid form will result in bid rejection.**

**This addendum is a part of the contract documents and modifies the original bidding documents and specifications. The contents of this addendum shall be included in the contract documents. Changes made by this addendum shall take precedence over the documents of earlier date.**

GENERAL GOVERNMENT BLDG. – 200 DERBIGNY ST., SUITE 4400, GRETNA, LA 70053  
OFFICE 504.364.2678

JOSEPH S. YENNI BLDG. – 1221 ELMWOOD PARK BLVD., SUITE 404, JEFFERSON, LA 70123  
OFFICE 504.364.2678

EMAIL: [PURCHASING@JEFFPARISH.NET](mailto:PURCHASING@JEFFPARISH.NET) WEBSITE: [WWW.JEFFPARISH.NET](http://WWW.JEFFPARISH.NET)

# LED SPORTS LIGHT SERIES

## SPORTS LIGHT - 600 Watts

### Performance Overview:

- Wattage: 600
- Lumen Output: 93,000 Lumens
- Efficacy (lm/W): 150 Lumens per Watt
- Kelvin: 3000K, 4000K, 5000K

Project: \_\_\_\_\_

Date: \_\_\_\_\_

Catalog #: \_\_\_\_\_

Notes: \_\_\_\_\_

### Key Features & Benefits:

- Trunnion Mount Standard
- IP67
- Meets ANSI C136.31-2001 3G bridge and overpass vibration standards.
- IK 10 mechanics impact protection code
- Flicker Free meeting HDTV broadcasting requirements.



### Construction:

- Die Cast Aluminum Housing
- High Performance Thermal Heat Sink
- Weather-tight LED Driver Housing
- Continuous Gasket Seal
- Weight 17Kg/37.5lbs

### Electrical:

- Input Voltage Options: 120-277 or 240-480 VAC
- Power Factor: >0.95
- Life: >100,000 hours (L90@25°C)
- 20kV Surge Protection

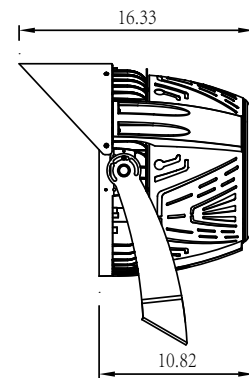
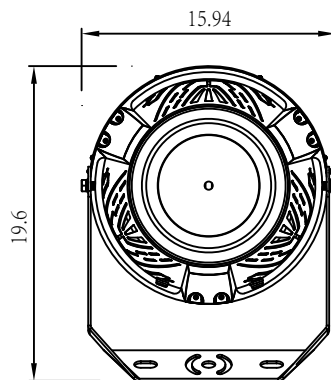


### Optical:

- Optical Grade Polycarbonate Lens:
  - UV stabilized
  - Molded prismatic lens for optimal uniformity
  - Impact resistant
- CRI >75 Ra

### Dimensions:

• 19.64" L X 16.33" W X 19.6" H



### Part Number:

Example Part Number: **ESL-SPT-600W-15-HV-15**

<b>ESL</b>	-	<b>SPT</b>	-	<b>600W</b>	-	<b>1</b>	-	<b>HV</b>	-	
ESL		TYPE		WATTS		GENERATION		KELVIN		VOLTAGE
		SPT (Sports Light)		600 Watts				30 (3000 Kelvin) 40 (4000 Kelvin) 50 (5000 Kelvin)		Leave Blank (120-277 VAC) HV (240-480 VAC)
										15° 45° 20° 60° 25° 80° 30°

†Not All Part Numbers DLC Qualified. For a Complete Listing Please Consult the DLC Qualified Products List (QPL).