

**LOUISIANA
DEPARTMENT OF TRANSPORTATION AND DEVELOPMENT
SPECIFICATIONS**

ALUMINUM SIGN BLANKS

DESCRIPTION:

This specification covers aluminum sign blanks used for the fabrication of signs.

REQUIREMENTS:

Blanks shall be aluminum sheets or plates complying with ASTM B 209, Alloy 6061-T6 or Alloy 5052-H38 flat sheet. Blanks shall be 0.080" thick. Blanks shall have a chromate conversion coating meeting ASTM B449 or ASTM B921 Class I or II. After fabrication the blank shall have a flatness equal to or less than 0.031 inch per foot of length and 0.004 inch per inch of width.

The blanks shall conform to the dimensions shown in Figure 1 thru 6. Holes shall be punched according to the associated Figure(s). The panels shall be free from grease, dirt or loose phosphate coating. All burrs shall be removed from the edges.

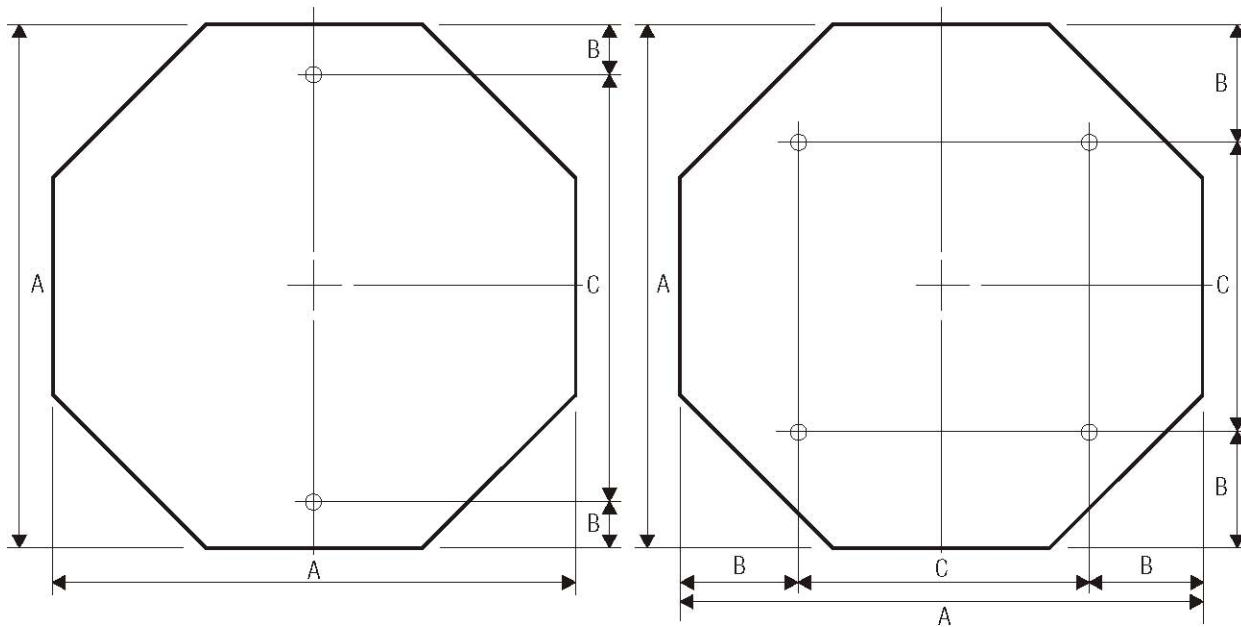
MATERIAL CERTIFICATION:

The successful vendor(s) shall provide certification from an independent test laboratory that all materials meet the requirements of this specification with each shipment. Certification will be kept on file by the Department.

PACKAGING AND DELIVERY:

Packaged stack of blanks should not exceed 2000 pounds.

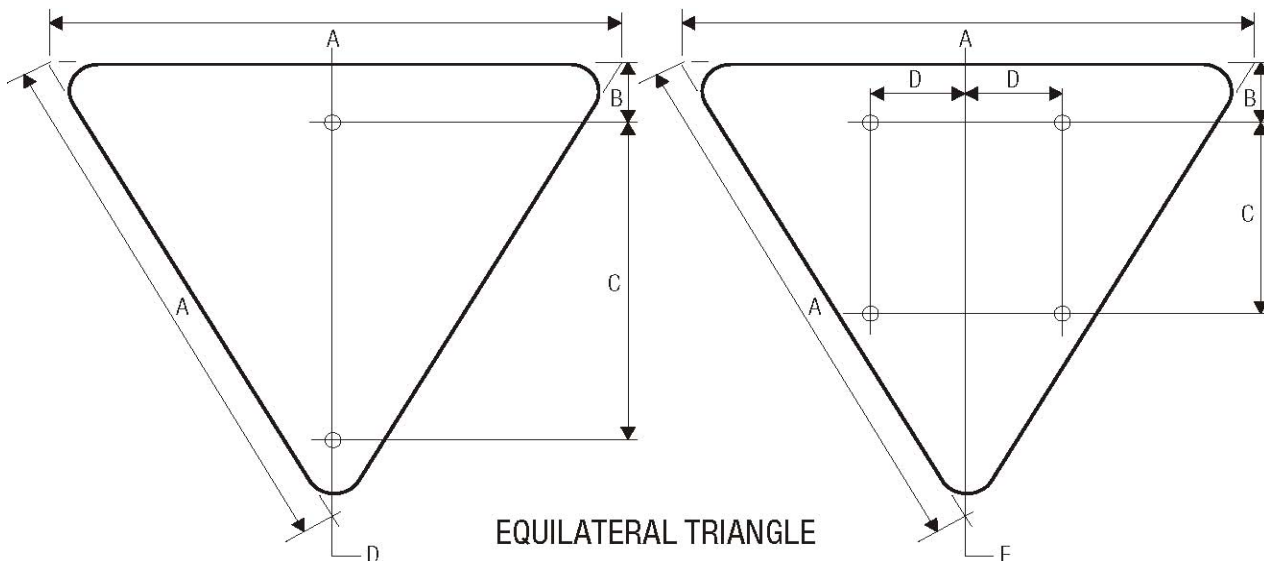
FIGURE 1



A	B	C
24	3	18
30	3	24
36	3	30

OCTAGON

A	B	C
48	9	30



EQUILATERAL TRIANGLE

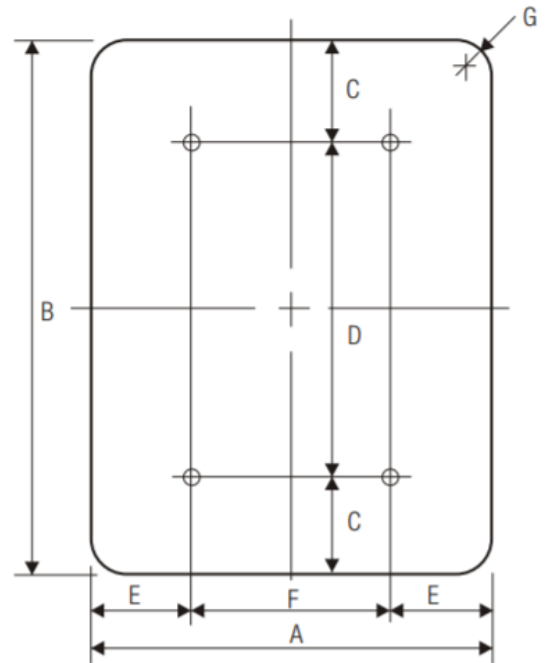
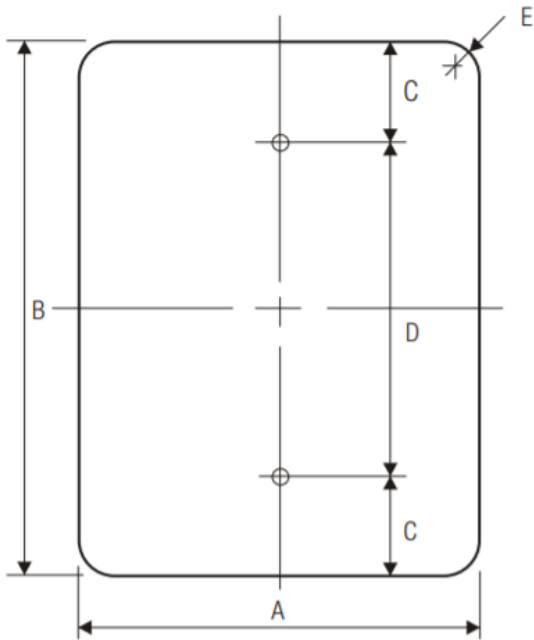
A	B	C	D
30	3	18	1.5
36	3	21	2

A	B	C	D	E
48	3	12	12	3
60	3	18	15	4

*A = Blank Dimensions

FIGURE 2

VERTICAL RECTANGLE

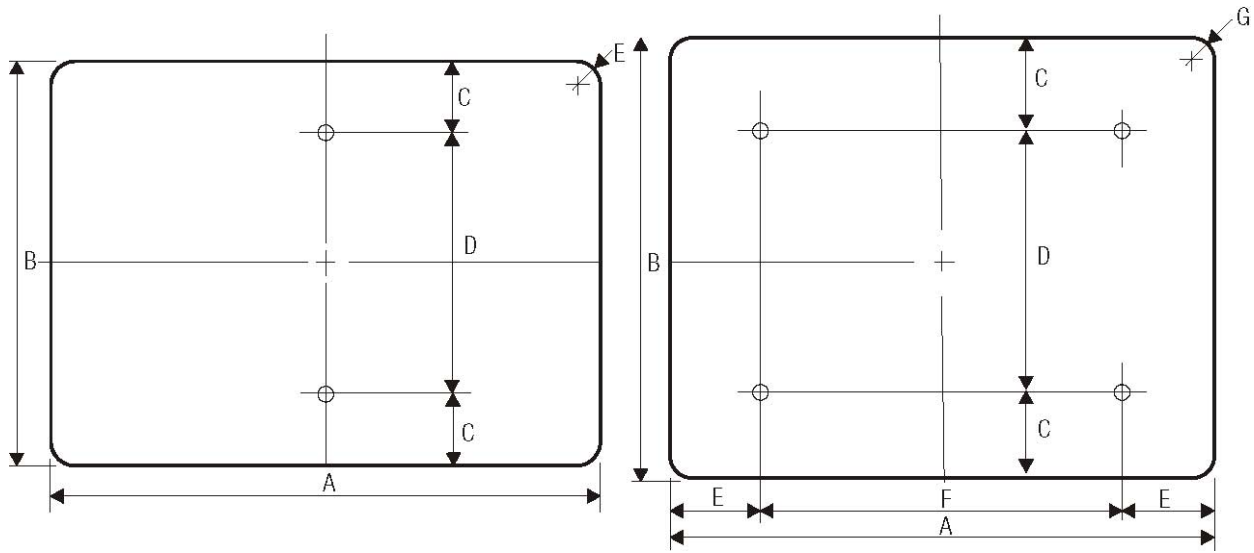


A	B	C	D	E
6	12	1.5	9	1.5
9	12	1.5	9	1.5
10	18	1.5	15	1.5
10	27	3	21	1.5
10	36	6	24	1.5
10	48	6	36	1.5
12	18	1.5	15	1.5
12	36	6	24	1.5
12	48	6	36	1.5
12	60	6	48	1.5
18	24	3	18	1.5
18	54	6	42	1.5
18	60	6	48	1.5
24	30	3	24	1.5
24	36	6	24	1.5
30	36	6	24	1.875
36	48	6	36	2.25

A	B	C	D	E	F	G
48	60	6	48	9	30	3

*A/B = Blank Dimensions

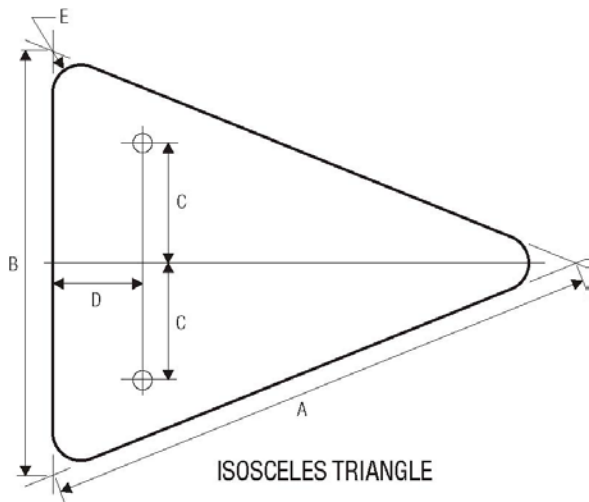
FIGURE 3



HORIZONTAL RECTANGLE

A	B	C	D	E
21	15	1.5	12	1.5
24	8	1.5	5	1.5
24	10	1.5	7	1.5
24	12	1.5	9	1.5
24	18	3	12	1.5
30	15	1.5	12	1.5
30	18	3	12	1.5
30	21	3	15	1.5
30	24	3	18	1.5
36	12	1.5	9	1.5
36	18	3	12	1.5
36	24	3	18	1.5

A	B	C	D	E	F	G
42	30	3	24	9	24	1.875
45	36	6	24	9	27	2.25
48	18	3	12	9	30	1.5
48	24	3	18	9	30	1.875
48	30	3	24	9	30	1.875
48	36	6	24	9	30	2.25
54	18	3	12	9	36	1.5
60	24	3	18	12	36	1.5
60	30	3	24	12	36	1.875
60	36	6	24	12	36	2.25

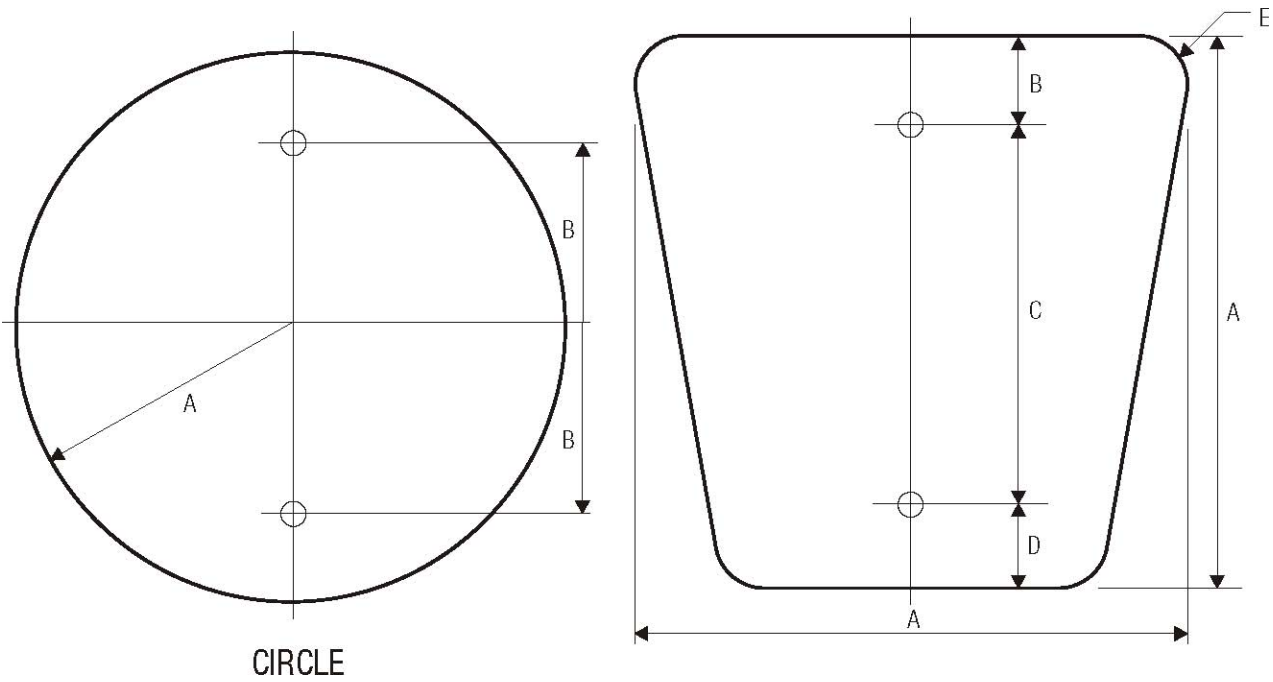


ISOSCELES TRIANGLE

A	B	C	D	E
40	30	7.5	12	1.875
48	36	9	15	2.25

*A/B = Blank Dimensions

FIGURE 4

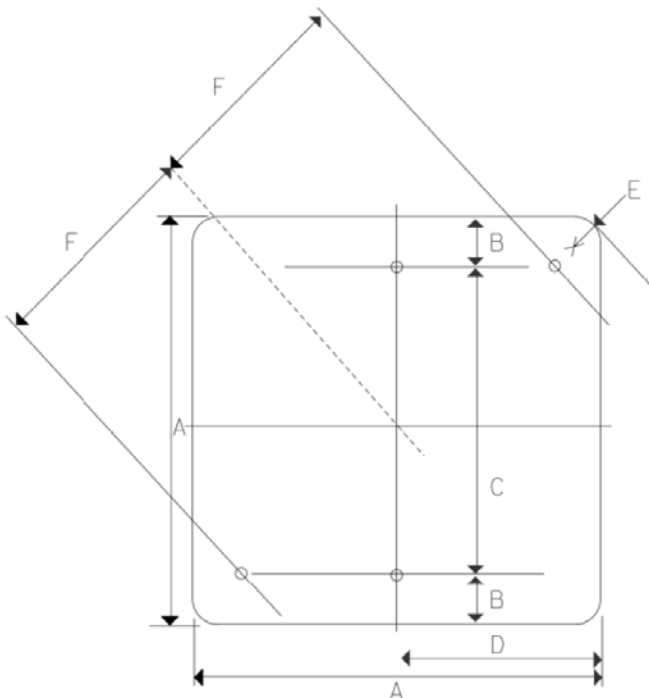


CIRCLE

NATIONAL FOREST SHIELD

A	B	SIZE
15	12	30
18	15	36

A	B	C	D	E
18	2	15	1	2
24	2.5	20	1.5	2.5

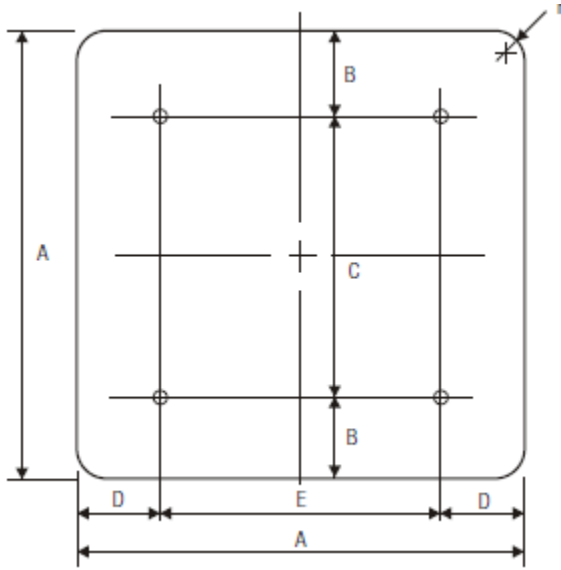


SQUARE/DIAMOND (SINGLE POST)

A	B	C	D	E	F
18	3	12	9	1.5	9
24	3	18	12	1.5	12
30	3	24	15	1.875	15
36	6	24	18	2.25	18
48	6	36	24	3	24

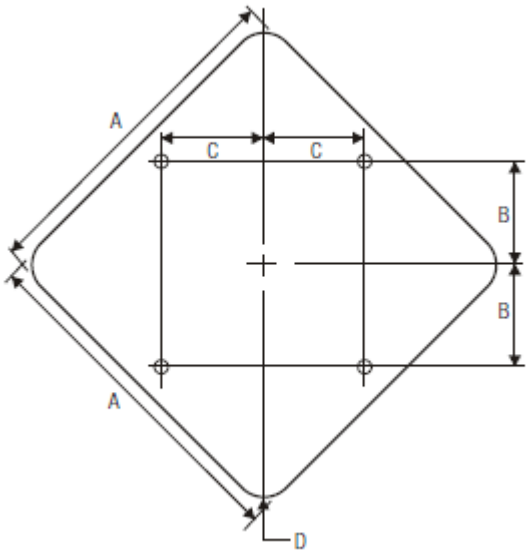
*A = Blank Dimensions

FIGURE 5



A	B	C	D	E	F
36	6	24	6	24	2.25
48	6	36	9	30	3

SQUARE (TWO POST)

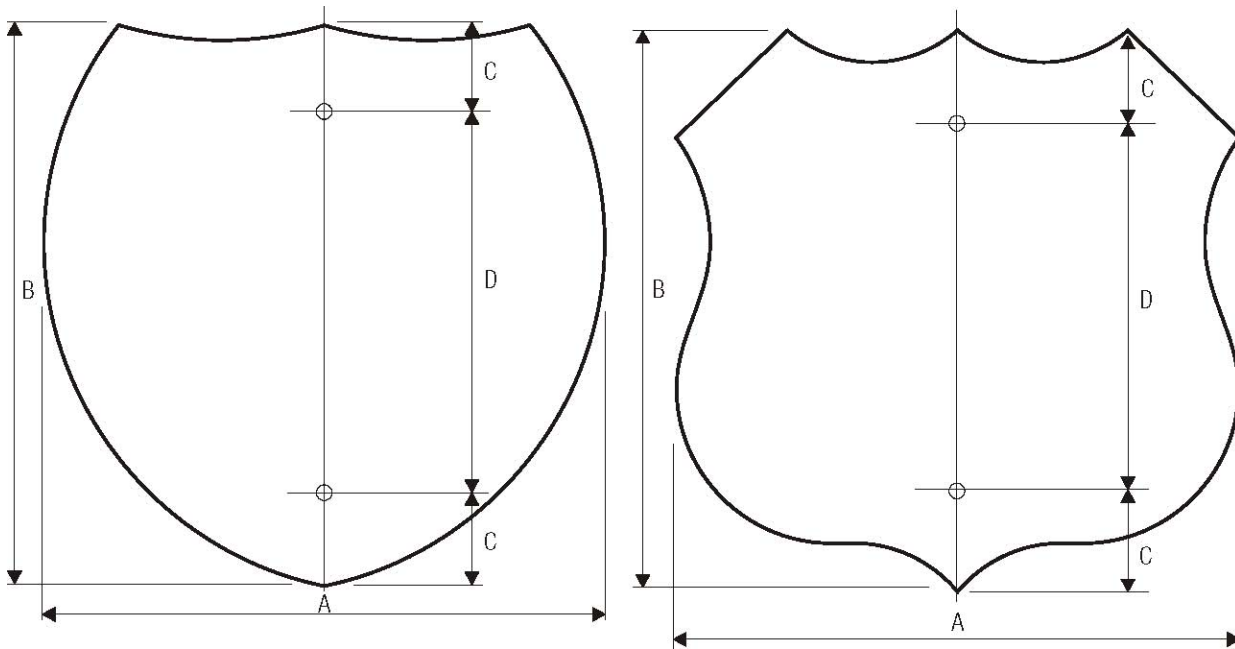


A	B	C	D
48	15	15	3
60	18	18	4

DIAMOND (TWO POST)

*A = Blank Dimensions

FIGURE 6



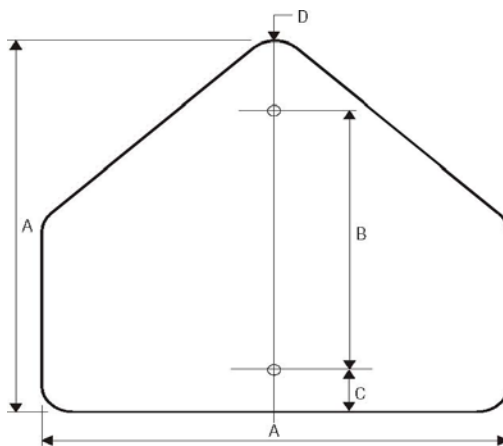
INTERSTATE SHIELD

A	B	C	D
24	24	3	18
30	24	3	18
36	36	6	24
45	36	6	24

U.S. SHIELD

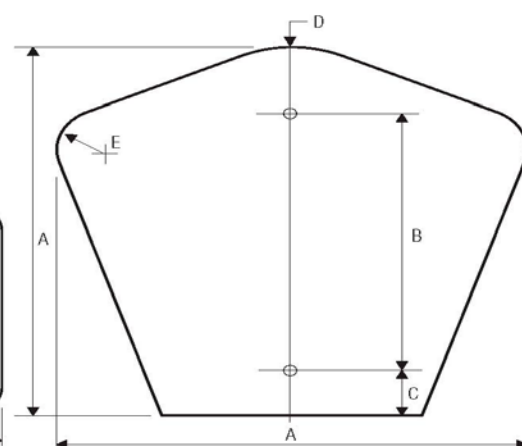
A	B	C	D
24	24	3	18
30	24	3	18
36	36	6	24
45	36	6	24

PENTAGON (SCHOOL)



A	B	C	D
30	21	3	1.875
36	24	3	2.25

PARISH SHIELD



A	B	C	D	E
18	15	1	5	2
24	18	2	5.313	2.688
30	24	2	6.625	3.375

*A/B = Blank Dimensions